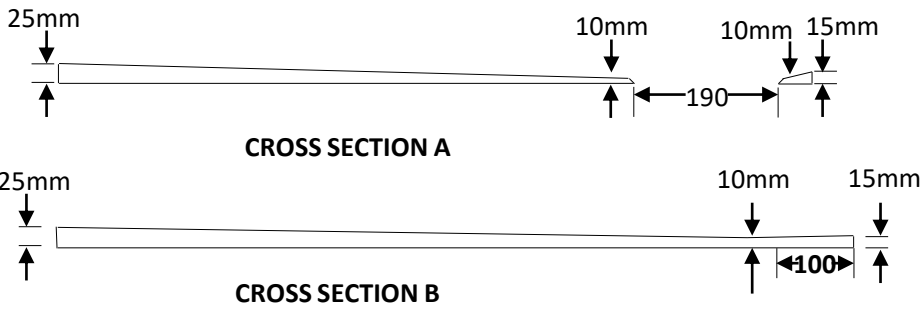
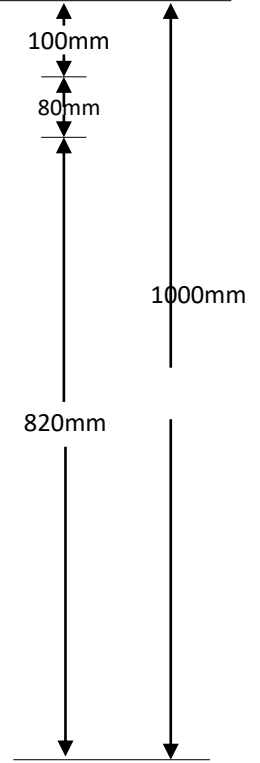
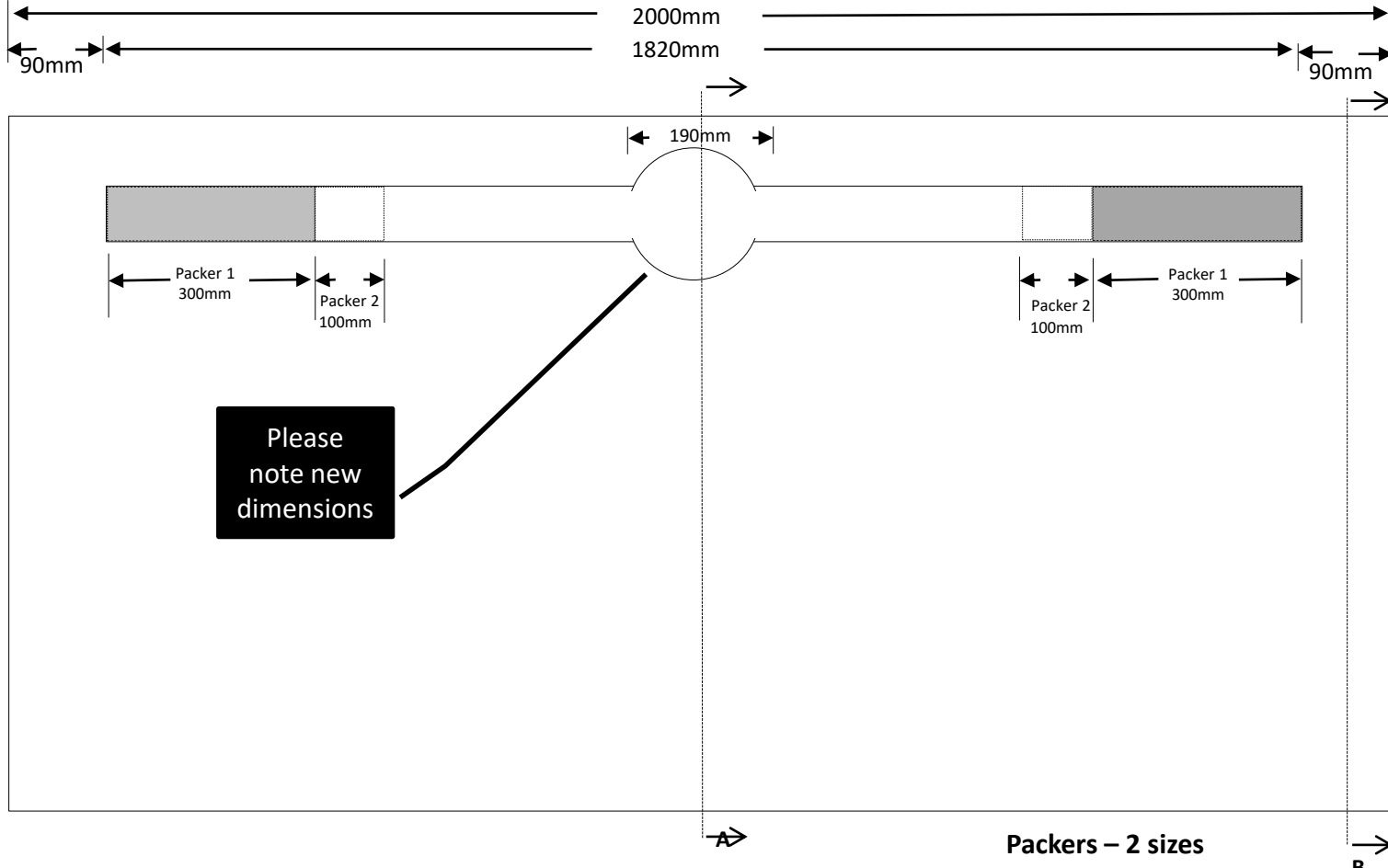


Channel Drain



1000mm x 2000mm

Code: MXPST 1.0 – 2.0 TDLT

Top view



Packers – 2 sizes

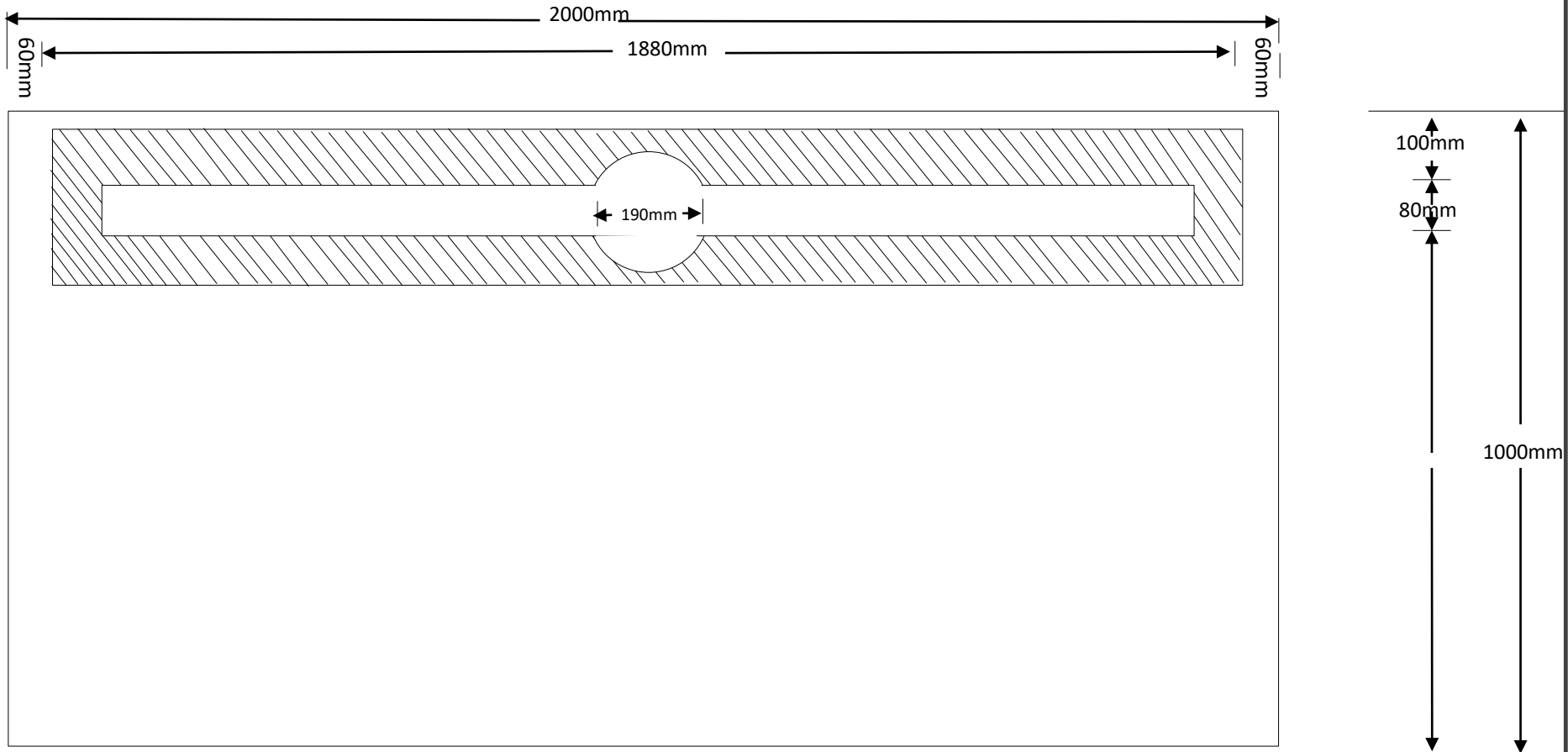
- 1 300mm x 80mm x 10mm
 80mm x 2
300mm
- 2 100mm x 80mm x 10mm
 80mm x 2
100mm

DRAWING NOT TO SCALE

Channel drain – 1.0m x 2.0m
Code: MXPST 1.0-2.0 TDLT



Bottom view



DRAWING NOT TO SCALE