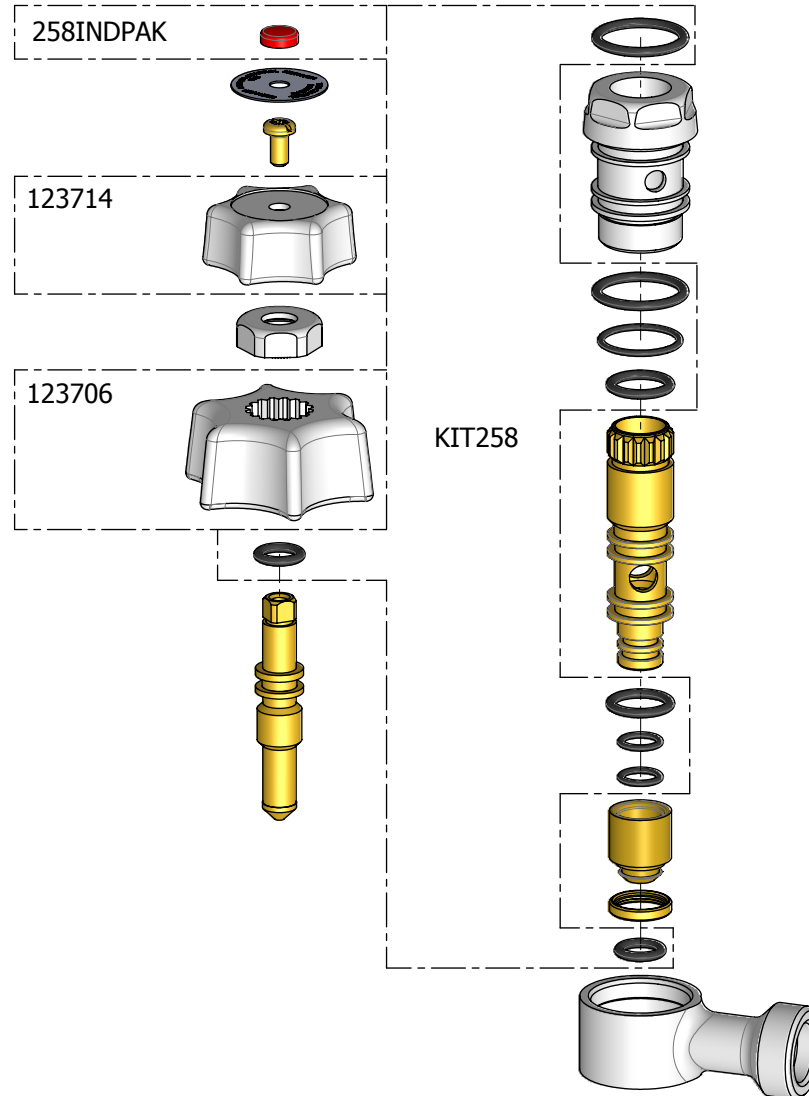
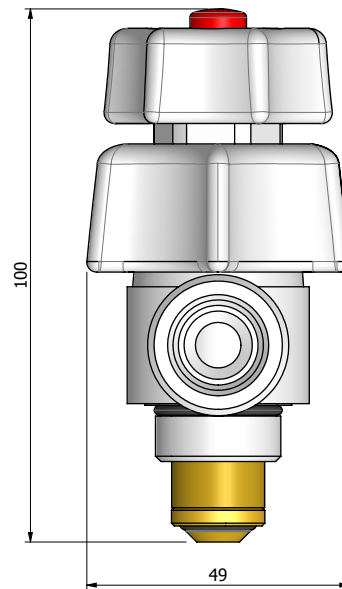
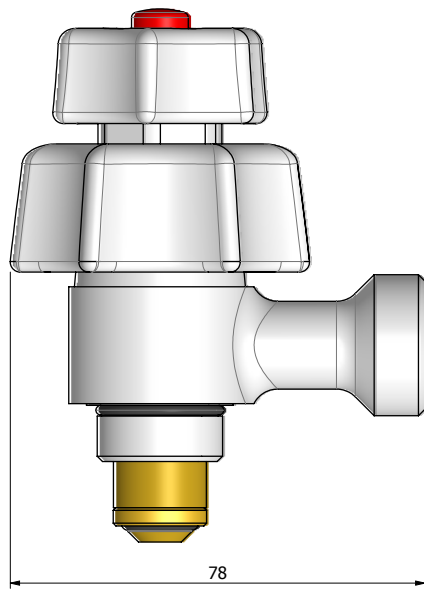


REV	DESCRIPTION	DATE	BY	ECA
-----	-------------	------	----	-----



Process Control Notes:
 SQ = Significant Characteristics
 CS = Customer Significant Features
 VC = Safety Critical Features
 All identified features are required to be produced with a process Cpk ≥ 1.33

Dimensions in mm
 Scale: 1:1
DO NOT SCALE

TOLERANCES UNLESS SPECIFIED OTHERWISE	
LINEAR 0 ± 0.4 0.0 ± 0.2 0.00 ± 0.1	ANGLES ± 3° SURFACE FINISH: 1.6/√ CONCENTRICITY © 0.1 ALL Ø ABOUT COMMON CENTRELINE

DRAWN: C Bauer 21/06/2016	CHECKED: Select checked by
MATERIAL: Refer parts	MASS: 374 g
COLOUR: Specify	FINISH: Specify
DESCRIPTION: 258CP x 15mm x 20mm KOWHAI LAU - SP	

mETHVEN LIMITED Private Bag 19996, Auckland 1746 447 Rosebank Road, Avondale, Auckland 1026 PH (+649) 829-0429 FAX (+649) 829-0439		Sheet 1 of 1
258		Sheet size A3
REV	A	

METHVEN_PRODUCT_TEMPL_04