

athena

BATHROOMS

Installation Instructions

Alcove Enclosure

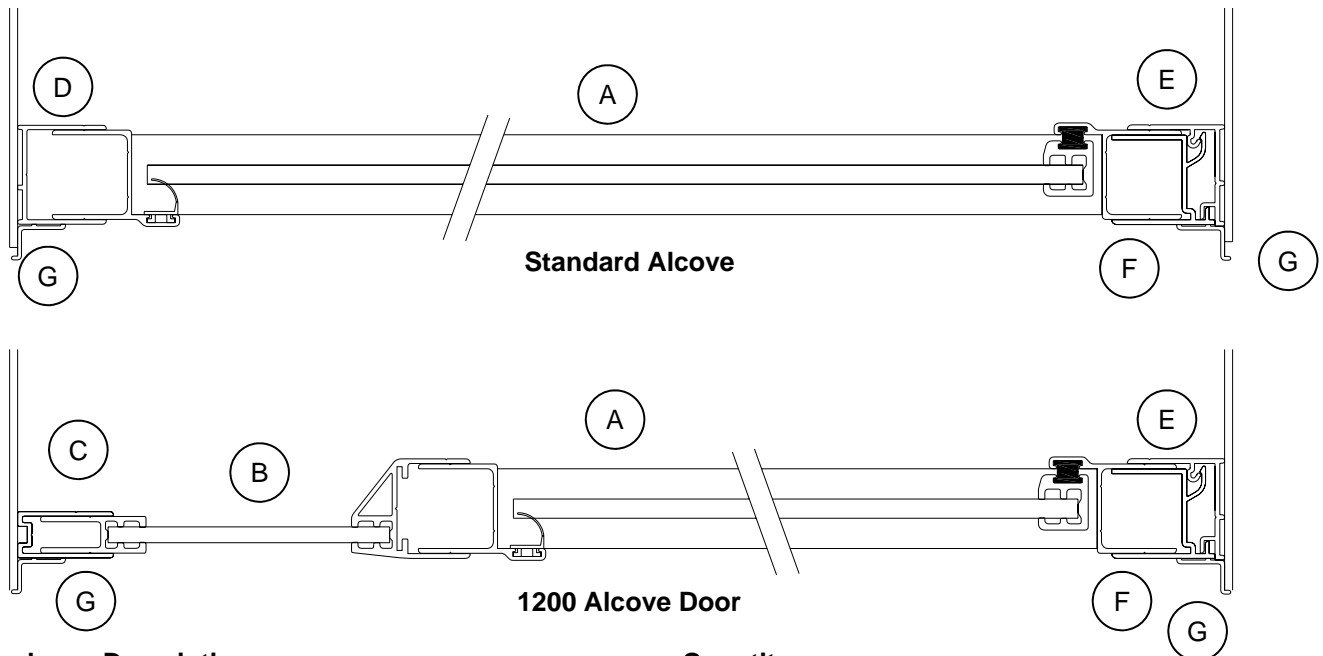


Before Installation please check that your shower enclosure system is undamaged
Please read these instructions carefully

TOOLS REQUIRED

- Electric or Cordless Drill
- No.1 Square Drive screwdriver or screwdriver bit
- Spirit Level
- Soft Pencil
- 3.0mm Twist Drill Bit
- Tape measure
- Caulking gun
- Sharp knife
- Hacksaw with fine tooth blade (18 TPI)
- Masking Tape

COMPONENTS



Number	Description	Quantity
A	Door Assembly	1
B	Take up Panel (includes Return Sill)	1
C	Return Starter	1
D	Single Piece Door Starter	1
E	Two Piece Door Starter Part A	1
F	Two Piece Door Starter Part B	1
G	Cover Trim	2

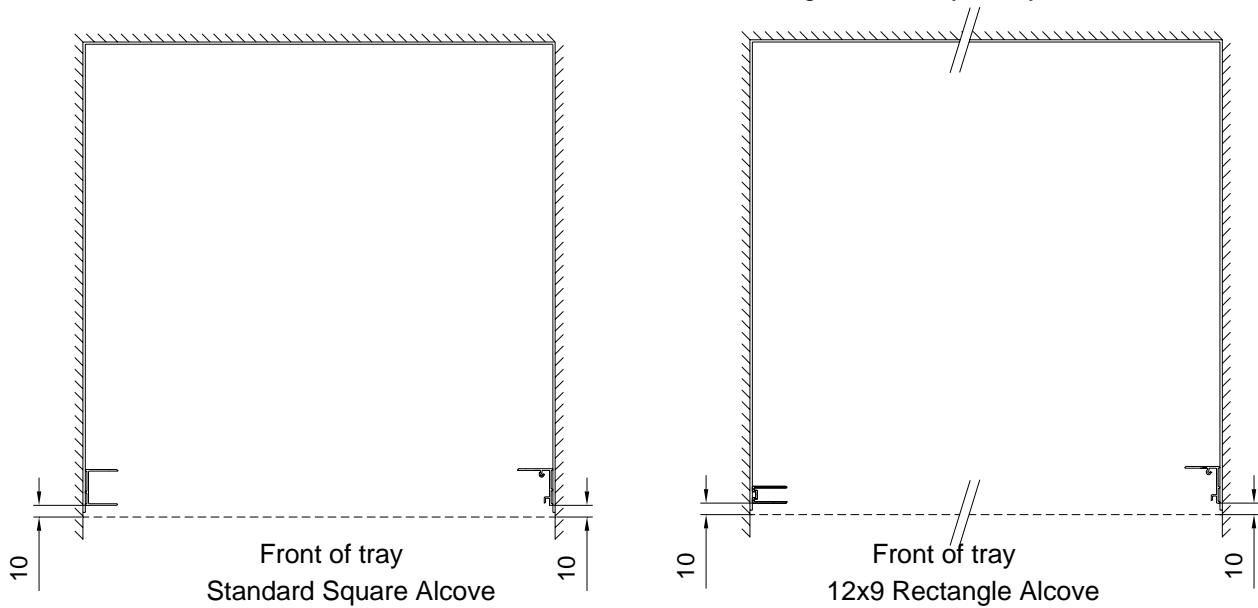
INSTALLATION COMPONENTS

Description	Std Alcove	1200 Alcove
Door Handle Set	1	1
Drip Seal Set	1	1
No.6 x 10 Pan Pozi Stainless steel screw	8	8 with Door, 7 with Take up
No.6 x 40 Pan Pozi Stainless steel screw	6	6
NG Silicone sealant	1	1
Adhesive Tape (Pad)	1	1
Screw Caps	8	8 with Door, 7 with Take up
Glass Brace	N/A	1
Chrome Wall Brackets (for glass brace)	N/A	2
Chrome Glass to Glass Bracket (for glass brace)	N/A	1
Brace Bracket– 1200 Alcove only	N/A	1
Instructions	1	1

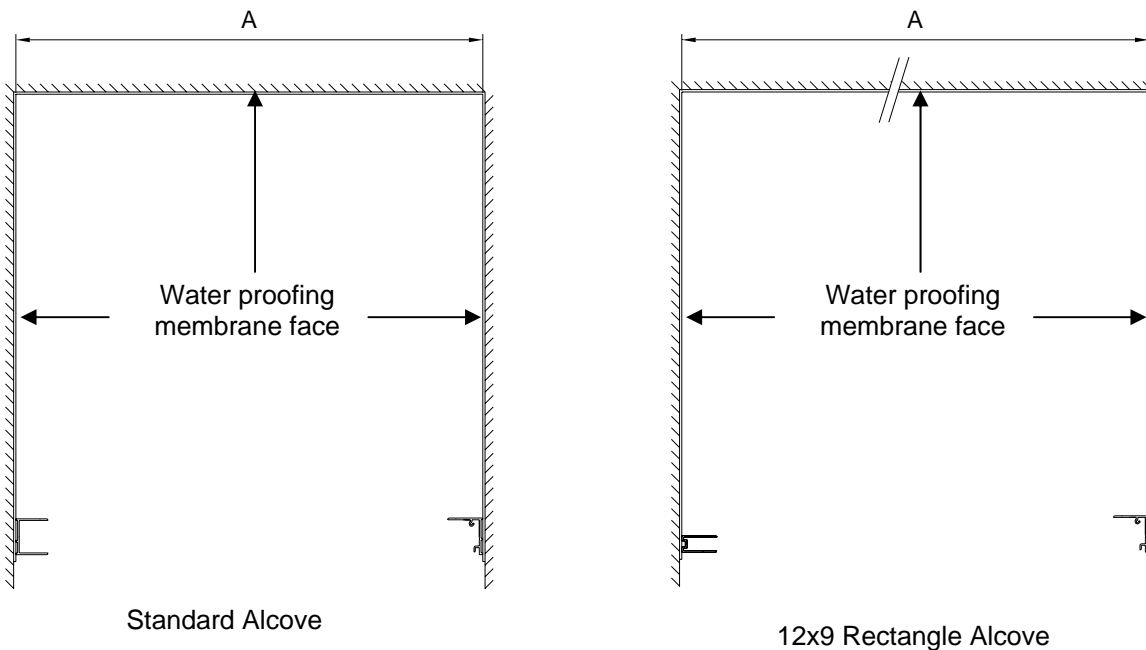
WALL STARTER POSITIONS

Acrylic wall liner or tiles on an Athena acrylic tray – All sizes

Set the outside face of the Wall Receivers 10mm in from the front edge of the acrylic tray



Tiled walls with tiled floor



DIMENSION (refer to diagram above)	900mm Alcove	1000mm Alcove	1200 Alcove
A - from Water Proof Membrane surfaces	871 +/- 8mm	971 +/- 8 mm	1175 +/- 10

IMPORTANT:

If tiling the walls the Wall Receivers must be **mounted & sealed to the Water Proofing Membrane Surface BEFORE Tiling**. Failure to do so will reduce range of adjustment of the door set which may prevent it from being installed on the tray.

Sealing to the Water proof membrane will also ensure water is contained within the confines of the shower

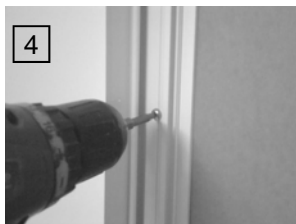
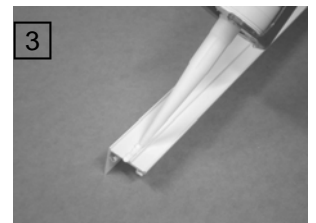
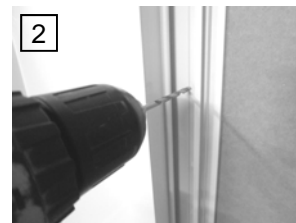
The shower Door is fully reversible, before commencing the installation decide which side the door will open

INSTALL WALL STARTERS

- 1200 Models - Determine which side the fixed Take-up panel will be installed.
- 1200 Models - There will be one extra Door Starter that is not required and can be discarded
- On all models the two piece Door Starter channels should be fitted to the wall that will be the opening side of the door

The Vee groove on the legs of the profiles will always be on the inside of the shower

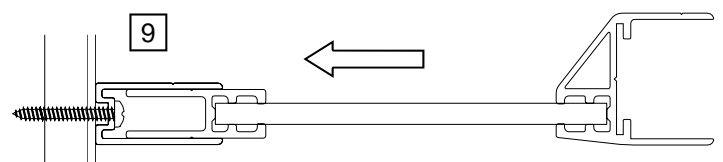
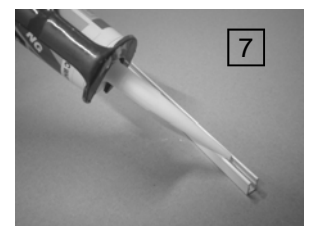
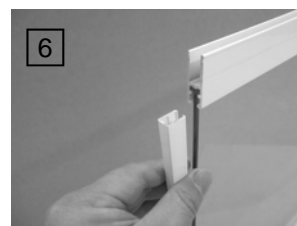
1. Position Door Starter Part A ('L' shaped section) according to the specifications on page 3. Check that the starter is plumb
2. Drill 3 equally spaced holes in the Vee groove down the length of the Door Starter and into the wall using a 3.0mm twist drill
3. Apply a continuous full length bead of silicone to the rear of the Door starter
4. Screw the Door starter to the wall using the No.6 x 40mm stainless steel screws provided. **If there are no studs to fix to, wall anchoring devices must be used. (Not supplied)** Recheck for plumb
5. Repeat the above procedure on the opposite side using the One piece Door starter or for 1200 Models the narrower Return Starter profiles



Go to Step 10 if you are not fitting a 1200 Alcove Enclosure

TAKE UP PANEL - 1200 MODEL ONLY

6. A Return sill is supplied with the Take up panel and is only temporarily clipped to one end of the panel. As the Take up panel can be installed left or right hand **it is necessary to remove the sill, apply sealant and attach to the correct end of the panel**
7. Apply a small continuous bead of NG Sili-cone sealant into bottom of the Return sill channel. **Do not fill** the channel with silicone as this will be excessive and the majority will ooze out making cleanup difficult
8. Fit the Return Sill to the lower edge of the Take up panel. Carefully wipe away any excess silicone that may ooze out
9. Slide the Take up panel into the Wall Starter

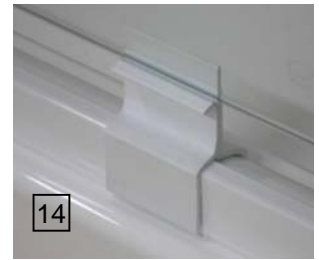
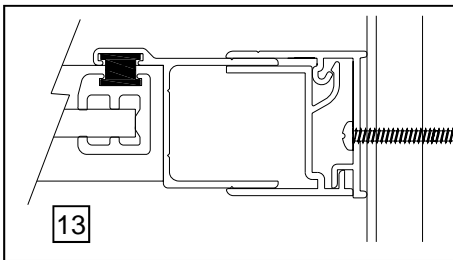
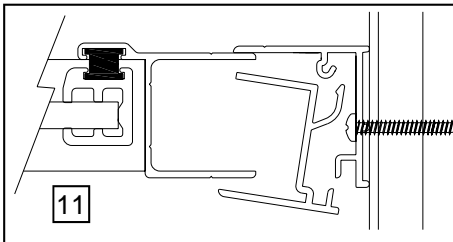
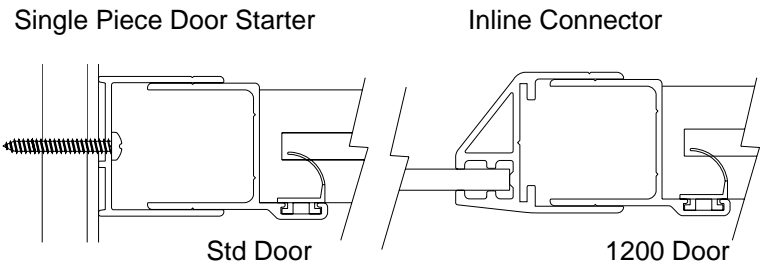


INSTALL GLASS DOOR

PLEASE NOTE:

The Door is packed with a Door Starter. (Item D on Page 2). This Door Starter is not required on a 1200 Alcove and can be discarded

10. Fit the Door assembly into the Single piece door starter (or into the Take-up panel's Inline connector for a 1200 door). Position door assembly to just make contact with Part A of door starter.
11. Slide Part B of the door starter into position and lightly clip into Part A.
12. Once in position, lightly tap the channel home using a wooden block (approx 100mm long). Continue down the length of the Part B starter
13. By viewing the channel from above, check that Part B has fully clipped into Part A of Door starter channel. If not, repeat the above procedure.
14. Centralize the Door between the Door starters or Door Starter / Inline Connector for a 1200 Door

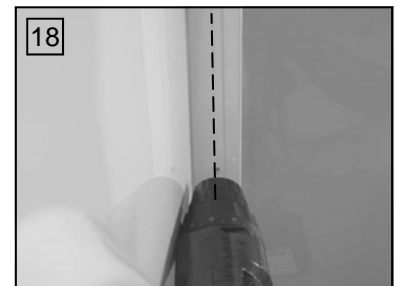


Do not remove the setting block from the sill of the door.

15. The door handle can now be attached. Ensure that the clear gaskets are placed either side of the glass and the plastic sleeves are placed over the threads of the handles

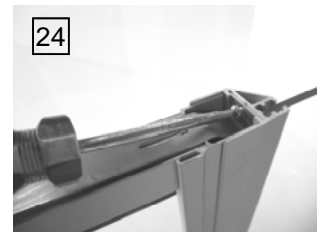
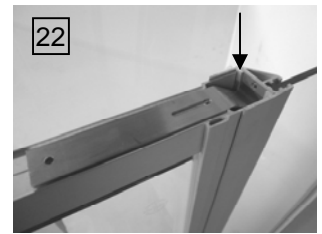
SECURE THE ENCLOSURE

16. True up the enclosure using a spirit level. **Ensure the "maximum position line" is not visible on any of the aluminium joinery.** (This is a small vertical groove on both the Door jamb and Take up profiles)
17. Test the door for operation. Realign if necessary. **The Door magnet should be in contact with the Jamb magnet over its full length.** Use the clear adhesive tapes provided to temporarily hold the enclosure components together.
18. After achieving alignment, from the inside, drill four 3.0 mm holes, starting 30mm from the ends and then equally spaced down the screw indicator line on the one piece Door starter. **The screw indicator line is a "Vee" groove that runs down the length on the inside faces of the Door starters, Return starter and the Take-up's inline connector to ensure correct position of screws in relation to other components.**
19. Secure with No.6x10mm stainless steel screws supplied. Cover all screws with plastic caps supplied.
20. Repeat the above procedure for other Door starter/ Take-up. Remove the setting block from Door sill on completion.
21. Cover all screw heads with the screw caps provided



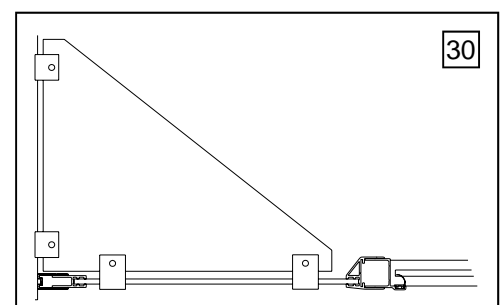
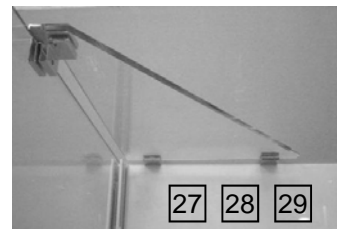
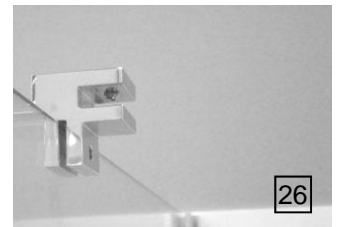
BRACE BRACKET INSTALLATION - 1200 MODEL ONLY

22. Slide the inline connector bracket into the slot of the Inline connector profile and the top of the door frame
23. Drill a 3 mm hole centrally in the slot and hole of the bracket.
24. Screw the bracket into the Door frame with the 10mm stainless steel screws supplied.
25. Cover the screw heads with the screw caps provided



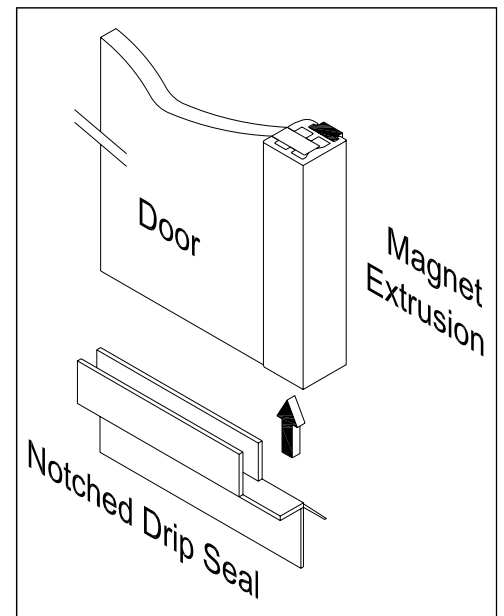
GLASS BRACE INSTALLATION - 1200 MODEL ONLY

26. Position the Glass bracket to the top of the Take-up panel approximately 30mm in from the Inline connector and with the grub screw facing inside the shower. Ensure the gasket is in place, then tighten the inside grub screw.
27. Attach the Chrome Wall Brackets to the Glass brace approx 20 mm in from each end
28. Temporarily fit the Glass Brace into the Glass bracket and mark the positions of the Wall Brackets on the wall
29. Remove the Glass brace and attach the Wall brackets to the wall using the No.6 x 30 countersunk screws. Ensure they are screwed into a solid stud or nog or alternatively use a suitable wall anchor system. (not provided)
30. Once the Wall brackets are in position slide the Glass brace into the brackets. Ensure the gaskets are in place, then tighten all grub screws.



FITTING THE DRIP SEALS

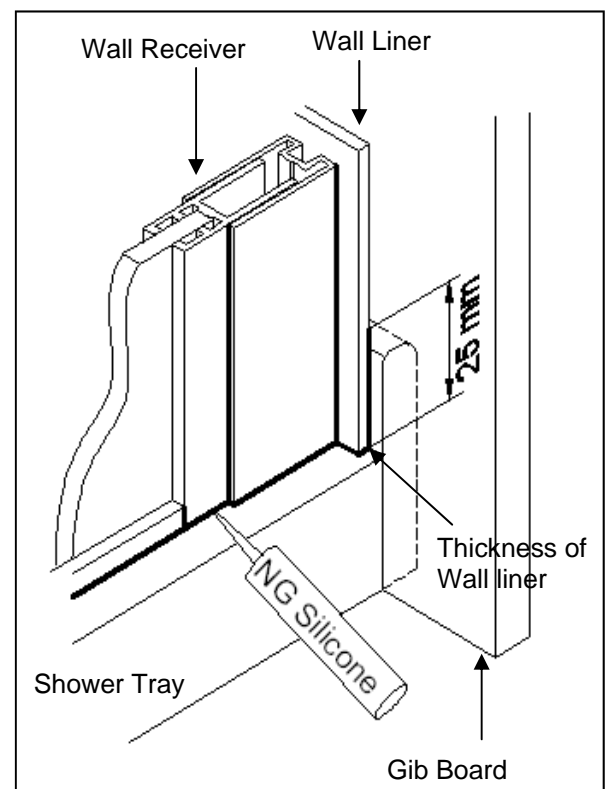
31. For doors that are fitted with a full length aluminium magnet extrusion the long drip seal must be notched. This will allow the drip seal to extend under the end of the extrusion. Mark and trim only the rigid "U" section of the drip seal; this leaves the flexible blades to extend under the extrusion. For doors with the clear plastic magnet extrusion, simply slide the magnet extrusion so it is flush at the top of the door; the drip seal will clip to the glass without requiring any notching.
32. Fit the drip seals to the door glass with the **short angle blade facing towards the inside of shower**



SEALING THE ENCLOSURE

The shower is only sealed on the outside, do not seal inside

33. Apply a small bead of NG silicone wherever the shower enclosure meets the tray. (The use of masking tape will ensure a neat finish)
34. Apply a small bead of NG silicone at each joint of the enclosure extending at least 100mm vertically from the tray
35. Apply a small bead of NG silicone at each end of the Return sills where they finish against the other profile
36. On the outside of the shower where the wall liner meets the tray apply a bead of NG Silicone sealant . Continue this bead of sealant across the front (2.0mm thickness) of the wall liner and then 25mm vertically up the back edge of the wall liner where it meets the tray



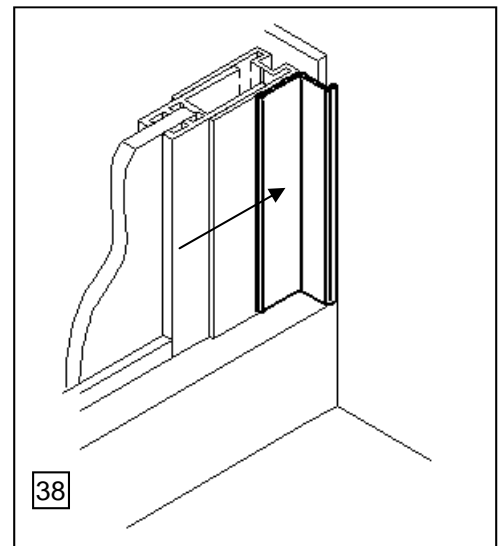
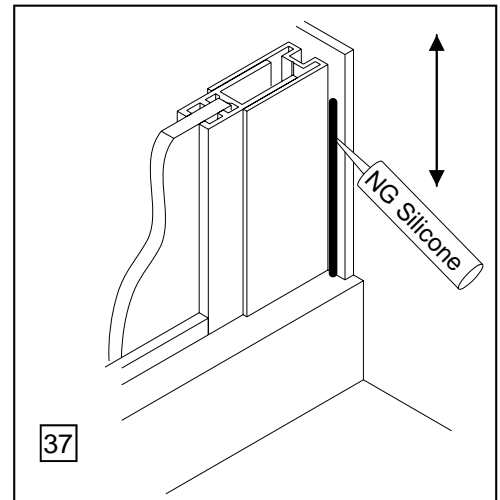
INSTALL THE COVER TRIMS

All Door sets come with Cover trims. These are only fitted to showers with acrylic wall liners. Cover trims are fitted to give a neat external edge where the wall liner finishes outside of the shower enclosure

NOTE:

If the Wall liner has been installed correctly it should be set slightly back from the front edge of the tray. Check that Wall liner edge does not protrude further forward than the front edge of the tray. If it does the Wall liner will need to be trimmed back in order for the Cover Trims to be installed

37. Apply a small bead of NG Silicone to the full height of the wall lining protruding out side of the shower
38. Take the Cover trim and imbed it into the silicone
39. Repeat for the opposite side
40. Allow the sealant to cure for 24hrs before use



Allow Silicone to cure for a minimum of 24hrs prior to use