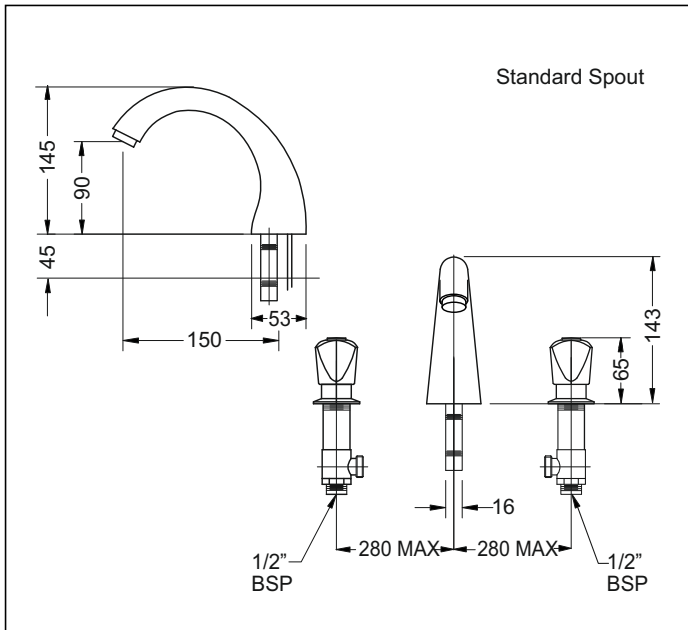


Berlino

3 Hole Basin Set



Standard Spout



Low Spout



Code: BE BASSET

Code: BE BASSETLS Low Spout Version

Finish: Chrome

Mechanism: Ceramic mechanisms

Spout: Chromed cast brass. Fixed

- Low Spout Reach: 115mm at Aerator Height: 72mm at aerator
- Std. Spout Reach: 150mm at Aerator Height: 90mm at aerator

Body: 2 individual tap bodies

Handle: Chrome plated, die cast zinc

Water Inlet: Installer to connect household pipes to hot & cold taps

Water Outlet: Std flow guide or 7ℓ press compensating aerator

Mounting: Installation hole diameter: Taps: 26mm threaded body
Spout: 3/8" BSP thread

O-ring seals: 35 X 2 : 42 X 2mm

Max bench thickness: 50mm

Flow Control: PCW 6 for unequal pressure system PCA 7 for mains pressure system

Features: Use supplied flexi pipes to connect the sides of the taps to the T junction at the spout

Pressure Range: 35 - 600 kPa

Max water flow @ 35kPa 6.2 ℓ/min

Warning: Water must flow through the taps in the correct direction

aquatica



KIWI OWNED COMPANY

NZ • DESIGNED
• ASSEMBLED
• TESTED

Aquatica NZ Limited

9 Saunders Place,
Avondale, Auckland.

Tel: 09-828 2068,

Fax: 09-828 2069

Email: info@aquatica.co.nz

or visit our website:

www.aquatica.co.nz

© copyright Aquatica 2019



Suitable for low/unequal & mains pressure systems

Recommended Operational Pressure Range: 35 - 600 kPa

Maximum Operating Temp: 70°C Never to Exceed: 1000 kPa

Please note: Specifications are subject to change without notice. It is the responsibility of the installer to check the measurements of the physical product before installation