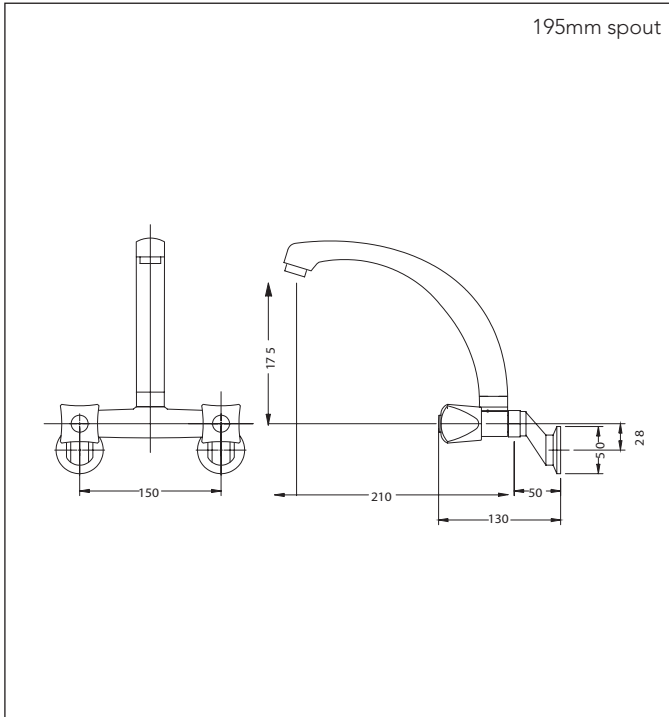


# Berlino

Ceramic mechanisms can be made right or left handed



## Exposed Sink Set



Code: BE XSS  
Finish: Chrome  
Mechanism: Ceramic 180° right handed  
Spout: Swivel 360°

- Range available with standard mechanism on request (add OPTION STANDARD to code)
- Normally supplied with 130mm (short) spout
- For large spout (approximately 30mm taller and 65mm longer reach) add SP NV SPOUT XXL to code

Water outlet: 8 l/min with P.C.A. or flow guide

Centre to Centre: 150mm

Eccentrics Standard: +/- 54mm  
Special: +/- 120mm (avail on request)

Eccentric Reach From Wall: Standard: 50mm  
Special: 80mm

Connection Nut to Eccentric: 29mm A/F

**Handy Tip:** For very low pressure the standard mechanism will provide a greater flow than ceramic mechanism

### Suitable for equal and unequal pressure systems

Recommended Pressure  
Operational Range:  
Minimum: 35 kPa  
Recommended: 600 kPa  
Never to Exceed: 1000 kPa  
Maximum Operating  
Temperature: 70°C

### Aquatica Warranty

Aquatica NZ Limited offer, from the date of purchase, a 2 year warranty on handshowers, a 5 year warranty on tapware and accessories and a lifetime warranty on stainless steel sinks.

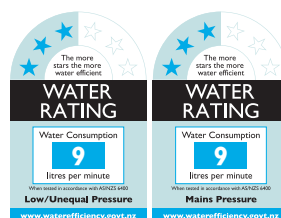
Aquatica NZ Limited warrants that only high quality workmanship and materials have been employed in the manufacture of its tapware, accessories and stainless steel products. If any faulty workmanship or materials is proven during the warranty period, Aquatica NZ Limited will at its own cost repair, or at its option replace, the faulty product.

The guarantee is non-transferable and proof of purchase is required.

The use of spray or abrasive cleaners of any kind will void the warranty. (Tapware should only be cleaned with a mild detergent and a soft damp cloth).

Failure to use an in-line strainer or filter on lines to tapware incorporating a ceramic cartridge or ceramic disc mechanism may also void the warranty.

Every effort has been made to show the products as they will be sold, however, all models and specifications are subject to change without notice.



Aquatica NZ Limited

9 Saunders Place,  
Avondale, Auckland.

Tel: 09-828 2068,

Fax: 09-828 2069

Email: [info@aquatica.co.nz](mailto:info@aquatica.co.nz)

or visit our website:

[www.aquatica.co.nz](http://www.aquatica.co.nz)