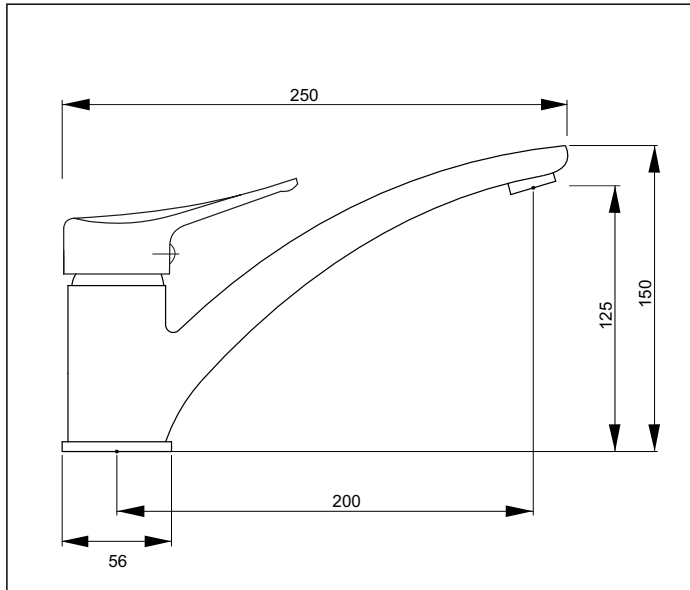


Forte

Sink Mixer Cast Spout



Code: FO SMCS 2

Finish: Chrome

Water Outlet: M24 ring with Flow guide fitted and PCA supplied

Spout: Chromed cast brass. Swivel 360°

Stainless Steel Inlet Hoses: Hot: Size: M16 x 1/2" BSP
Length: 400mm
Cold: Size: M12 x 1/2" BSP
Length: 400mm

Mounting: Mounting Hardware: Stud: 1 x 8mm
Nut: 11mm A/F
Horseshoe Washer

Metal Base Ring supplied with base seal - O-ring size:

Installation Hole Diameter: Minimum: 33mm
Maximum: 38mm

Cartridge: Mondo 40K flat base

Max water flow @ 35kPa = 8 l/min

Flow Control: 8 l/min PCA supplied for regulated flow with mains pressure system

Handy Tip: Includes 10 litre/minute flow regulator (PCW) on cold side for unequal pressure systems.

Suitable for low/unequal & mains pressure systems

Recommended Operational Pressure Range: 35 - 600 kPa
Maximum Operating Temp: 80°C Never to Exceed: 1000 kPa



aquatica



KIWI OWNED COMPANY

NZ • DESIGNED
• ASSEMBLED
• TESTED

Aquatica NZ Limited

9 Saunders Place,
Avondale, Auckland.
Tel: 09-828 2068,
Fax: 09-828 2069
Email: info@aquatica.co.nz
or visit our website:
www.aquatica.co.nz

© copyright Aquatica 2019