



WMTS 106:2019
Certificate No. 23048
Manufacturer: SFA
Brand: Saniflo

PRODUCT REFERENCE:
SA112/SA113/SA114



Sanifloor®+

Sanifloor®+ allows a shower to be installed easily and economically without major work accessing sewer pipes. The pump sucks the water from the shower gully and discharges back to the existing sewer line. Installing a stylish walk-in shower is easy with a Sanifloor®+.



WHY CHOOSE THIS PRODUCT?

Suits walk in showers and low level shower trays
Ideal for high flow applications

Pump and waste inlet can be up to 3 m apart horizontally

Dual function - sucks waste up from the gully and pumps waste water away up to 3 m vertically or 30 m horizontally

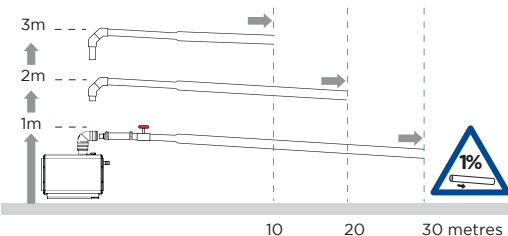
Pump can be positioned up to 300 mm above the gully

All gully types are 90 mm in diameter

Wireless activation

VERTICAL/HORIZONTAL PERFORMANCE

Increase size of horizontal run by one pipe size after 5m. All horizontal pipework requires a minimum of 1:100 fall.

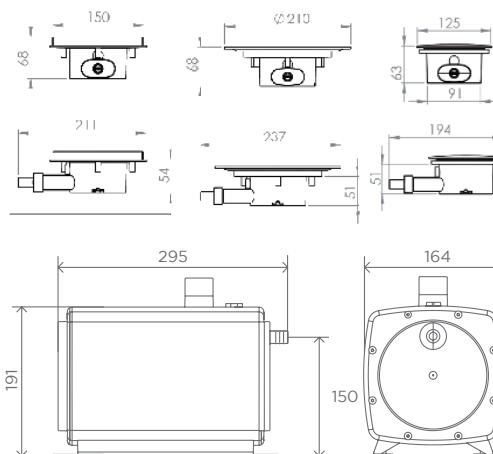


GULLY TYPES

Ref SA112: With shower waste gully for vinyl floor - Height 68 mm

Ref SA113: With shower waste gully for tiled floor - Height 68 mm

Ref SA114: With shower waste gully for trays - Height 63 mm

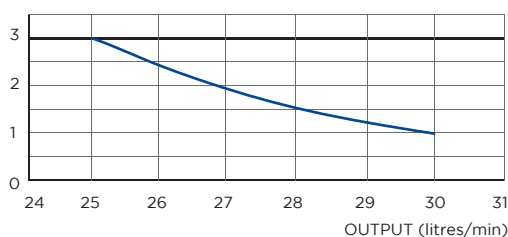


TECHNICAL CHARACTERISTICS

Discharge Pipework	25 mm
Motor Power	400 Watts
Voltages	220-240 V/50 Hz
Working Waste Water Temp	35°C
Product Weight	7.9 kg
Overall Measurements	295 x 191 x 164 mm
IP Rating	IP44

FLOW RATE PERFORMANCE CHART

Discharge height (m)



Shaking up water

Made in France to the highest standards, needs to be installed by a licensed plumber