



## Sanivite®

Ideal for kitchen, bath, outdoor BBQ kitchen or laundry. Sanivite®+ has up to four inlet connections making it the ideal solution for installing multiple plumbing fixtures.

### APPLICATIONS



HAND BASIN



BATH



KITCHEN SINK



WASHING MACHINE



DISH WASHER

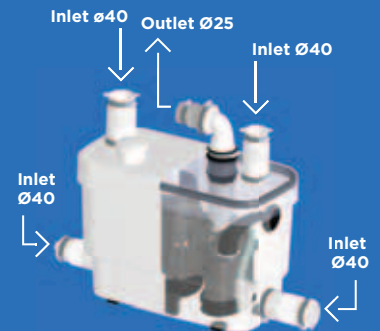


WMTS 106:2019  
Certificate No. 23048  
Manufacturer: SFA  
Brand: Saniflo

PRODUCT REFERENCE:  
SA95

### TECHNICAL CHARACTERISTICS

<b>Discharge Pipework</b>	25 mm
<b>Motor Power</b>	400 Watts
<b>Voltages</b>	220-240 V/50 Hz
<b>Working Waste Water Temp</b>	35°C/Max 60°C (intermittent)
<b>Product Weight</b>	6.4 kg
<b>Overall Measurements</b>	373 x 275 x 185 mm
<b>Inlet Pipework</b>	40 mm
<b>IP Rating</b>	IP44

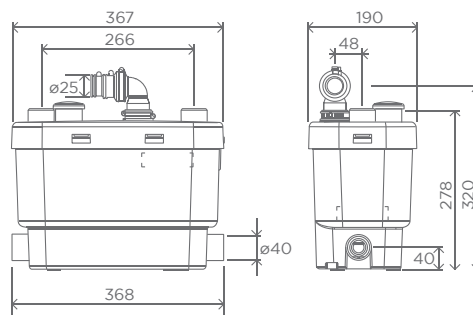
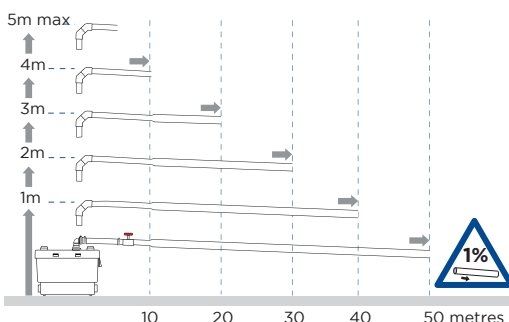


### WHY CHOOSE THIS PRODUCT?

- Only for domestic application
- Powerful, quiet pump
- Low activation level (95 mm)
- Compact for concealed installation
- Carbon filter included to neutralise odours
- Working temperature of 35°C
- Will handle up to 60°C for short periods (5 minutes)

### VERTICAL/HORIZONTAL PERFORMANCE

Increase size of horizontal run by one pipe size after 5m. All horizontal pipework requires a minimum of 1:100 fall.



### FLOW RATE PERFORMANCE CHART

