



EVOLUTION[®] 200

TECHNOLOGY

The Evolution 200 with its three stage grind technology & SoundSeal™ Plus, makes it our most powerful & quietest model. Don't worry about what you can and can't grind... the Evolution 200 grinds all food waste.

FEATURES



SoundSeal Plus™
Evolution Ultra-Quiet
Technology



0.75HP Dura-Drive™
Heavy Duty
Induction Motor



MultiGrind Plus™
3 Stage Stainless
Grinding System with
Auto Reverse Action



QuickLock™
Sink Mount for
easy installation



Largest Capacity
(1180ml) Stainless
Steel Grinding
Chamber



10 Year Warranty



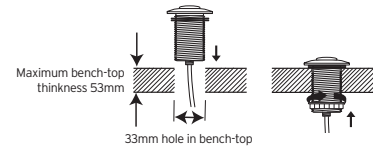
Micro Processor delivers
more power to boost the
grinding capability.



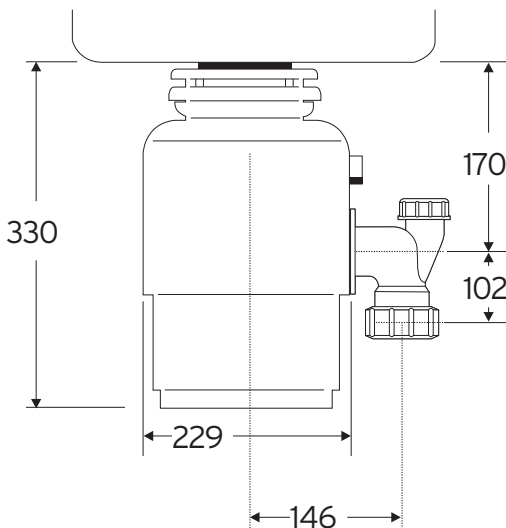
Made in the USA



Built-in Air Switch
(33mm hole for button)



DIMENSIONS (MM)



SPECIFICATIONS

Type of Feed	Continuous	Sound Technology	Anti-Vibration Mounting Technology and Tailpipe
On/Off	Control Wall Switch or Built-In Air Switch		Quiet Sink Baffle
Power Supply	Single Phase	Plug	Multi-Layer Sound Insulation
Reversing	Auto-Reverse Grind System		Stainless Steel Strainer Basket and Plug
Time Rating	Intermittent	Grind Chamber Capacity	1180 ml
Lubrication	Permanently Lubricated Upper & Lower Bearings		Motor Protection
Shipping Weight	11.6 kg (Approx.)	Average Water Usage	
Unit Finish	Stainless Steel Light Grey TEN-1706		Average Electrical Usage
Overall Height	344 mm	Drain Connection	
Grind Technology	3-Stage Grind Technology Power Booster Circuit with Microprocessor		Dishwasher Connection
Volts/Hz	HP	RPM	
220-240V, 50 Hz	.75	1425	

insinkerator.co.nz

For more information contact Parex Industries Limited on Tel: 0800 200 510 or email: info.parex@emerson.com

InSinkErator reserves the right to change product specifications without prior notice. The disposer described in this leaflet is for household use; usage in commercial situations is not covered by warranty.

in sink erator[®]