



Experts in water.

DAVEY

APPLICATIONS

RainBank® is ideal for metropolitan rainwater harvesting on homes, toilet blocks and garden irrigation.



Rainwater Harvesting Controller

Model Numbers:

KRB1, KRB2, KRB3, KRB4, KRBX1, KRBS1, KRBS2, KRBSA1

Dual source controller, specifically designed to source rainwater for water applications such as toilets and/or laundry, with automatic mains water back-up.

Also suitable for exterior taps.



PROUD SUPPORTER OF savewater.com.au

WHY CHOOSE THE RainBank® CONTROLLER?

- RainBank® automatically switches between rainwater and mains water supply, so there is no need for consumer intervention.
- Feedback lights to indicate water source and faults.
- Unique patented, yet uncomplicated technology, providing a dependable solution to rainwater harvesting.
- Environmentally friendly:
 - Saving water
 - Reduced inflow to stormwater systems
 - No re-pumping of mains water
 - Low power consumption in standby
- No solenoid valves used
- Provides seamless mains back-up in the event of no rainwater or electrical interruptions, for consumer convenience and comfort.
- Adaptable to existing pumps and rainwater tanks, to reduce waste and use existing resources.
- Built-in backflow protection valve (dual check valve) in compliance with the requirements of AS/NZS 3500-1-2003 for added safety and assured protection of your mains water supply.
- Can be mounted on pump or on nearby wall for easier installation and to suit a variety of applications. Best mounted near the laundry and away from bedrooms.
- Simple to install with no adjustment necessary, saving time and money at installation.
- Yellow LED – fault condition



OPERATING LIMITS

Maximum flow rate (mains)	100 lpm
Maximum flow rate (pump)	100 lpm
Maximum mains water pressure	900 kPa
Maximum pump pressure	600 kPa
Maximum pump amps	10 amps
Level switch voltage	12 volts DC
Maximum water temperature continuous	50°C
Minimum water temperature	1°C
Maximum ambient temperature	50°C
Mains water inlet size	3/4" BSP(M)
Rainwater inlet size	1" BSP(M)
Outlet size	3/4" BSP(M)

Note: RainBank®/S model specifically designed for submersible pumps fitted with auto float switch.

ELECTRICAL DATA

Supply voltage	220-250V
Supply frequency	50Hz
Max. full load current	10A
Enclosure class	IP23
Power supply lead – incoming	2m
Level switch lead length:	
Side entry	5m
Top entry	9m

MATERIALS OF CONSTRUCTION

Part	Material
Dual check valve	
Body	D.R. brass
Valves	Acetal
Springs	304 stainless steel
Source control valve	
Body	Nylon
Valves	Acetal
Plunger	Grivory
Diaphragm	Santoprene
Springs	316 stainless steel
Seal	Nitrile
Sensor plate	316 stainless steel
Enclosure	A.B.S.

APPROVALS

Complies with electrical standards: **AS/NZS60335.2.41: 2004 Clause 24**

Certificate of electrical suitability: **A/10E**

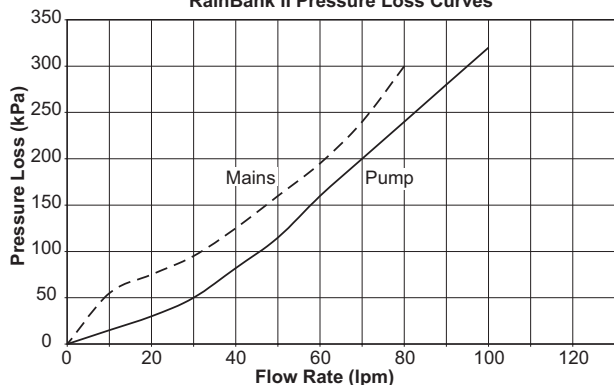
Complies with plumbing standards: **AS/NZS3500-1-2003** including provision of backflow protection when installed in compliance with product Installation & Operating Instructions.

Watermark License **WMKA22042**.

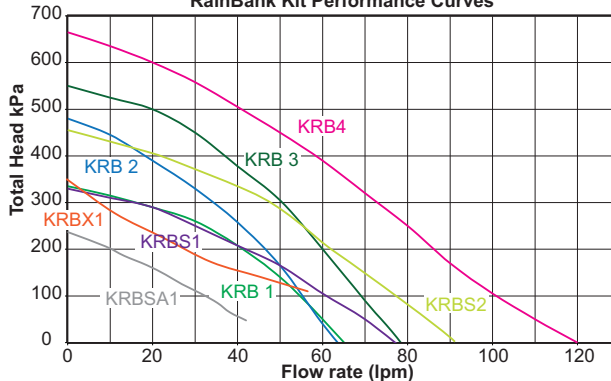
Must be installed by a licensed plumber.

HYDRAULIC PERFORMANCE

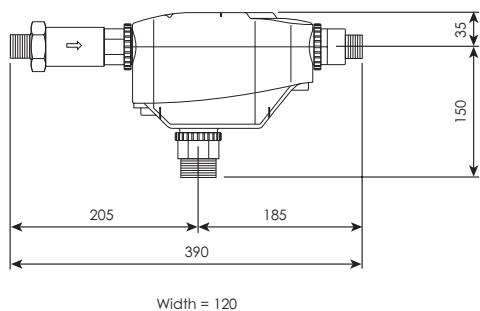
RainBank II Pressure Loss Curves



RainBank Kit Performance Curves



DIMENSIONS (mm)



OPTIONAL EXTRAS

P/N 13829 – Wall bracket

