

Installation & User Guide

Dual-Flush Toilet

NOTE: If your new toilet pan has Side Entry holes, please ignore this installation guide and refer to document # 1265059-A2.

KOHLER®

Tools And Materials



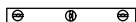
10" Adjustable Wrench



Supply Shut-Off Valve



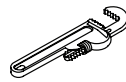
Tape Measure



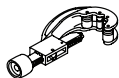
Level



Sponge



Pipe Wrench



Tubing Cutter



Safety Glasses



Drill and assorted bits

Plus:

- Pan Connector
- Metal File
- 1/2" Nut Driver/Socket
- Hacksaw
- Screwdriver
- Caulking Gun & Sealant

Thank You For Choosing Kohler Company

We appreciate your commitment to Kohler quality. Please take a few minutes to review this manual before you start installation. If you encounter any installation or performance problems, please don't hesitate to contact us. Our phone numbers are listed on the back cover. Thanks again for choosing Kohler Company.

Before You Begin



CAUTION: Risk of personal injury or product damage. Handle with care. Vitreous china can break or chip if the product is handled carelessly.

- Observe all local plumbing and building codes. Installation shall be in accordance with AS/NZS 3500 and AS/NZS 6400.
- Carefully inspect the new toilet for damage.
- If the existing toilet does not have a supply shut-off valve below the cistern, install one before installing the new toilet.
- Install sufficient backing behind the finished wall to provide a secure material for the anchoring devices.
- Water supply hose not supplied. Your plumber can provide a suitable hose of sufficient length from the shut-off valve to the tank inlet.

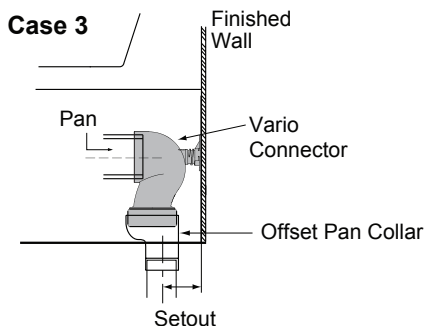
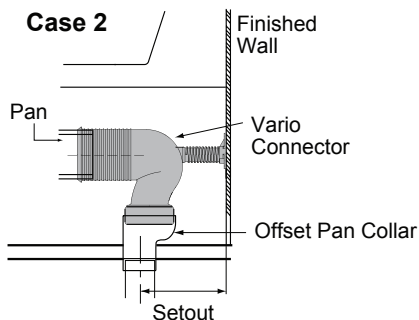
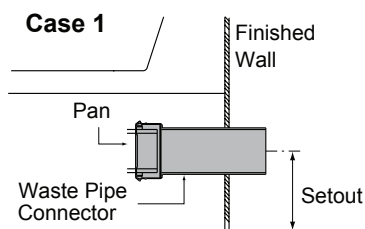
Pan Installation

- 1 Remove the existing toilet: Turn off the water supply and flush the toilet, then sponge out all remaining water from the cistern. Disconnect the supply hose from the shut-off valve and remove the old pan and cistern.

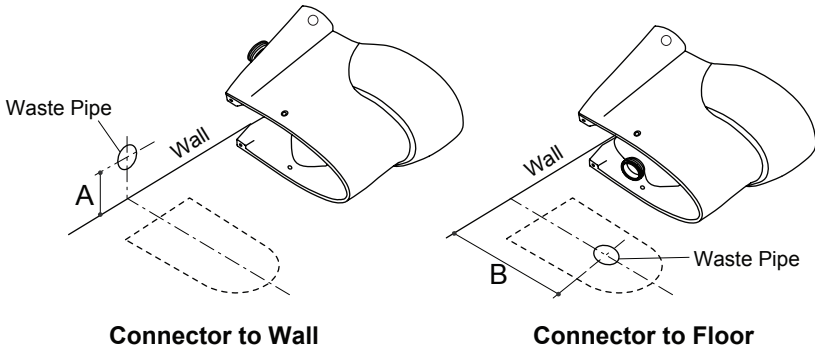


CAUTION: Risk of hazardous gases. If the new toilet is not to be installed immediately, temporarily stuff a rag in the closet flange. Ensure this is removed before installing the new toilet.

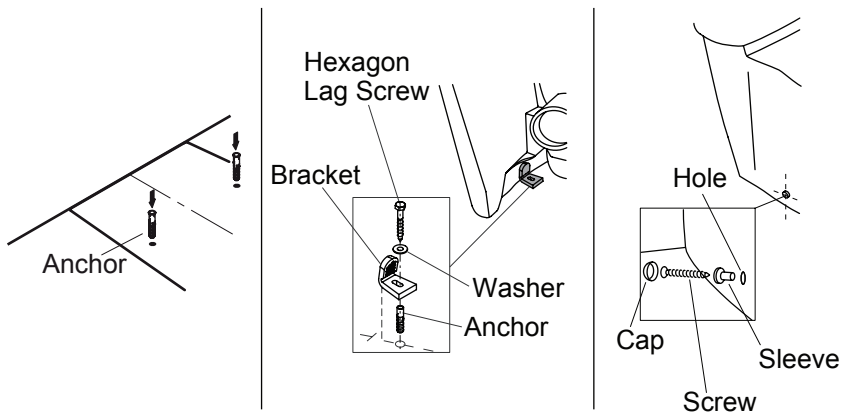
- 2 Define the position of the connector: Place the connector onto the pan, and position the connector between the outlet and waste pipe. Installation instructions are supplied with each respective pan connector.



3 Using the template, mark the positions of the floor fixing kit holes.



4 Drill fixing holes at the marked locations on the floor and insert the anchors where required.



5 Place a washer onto each of the hexagon screws and fix the brackets to the floor.

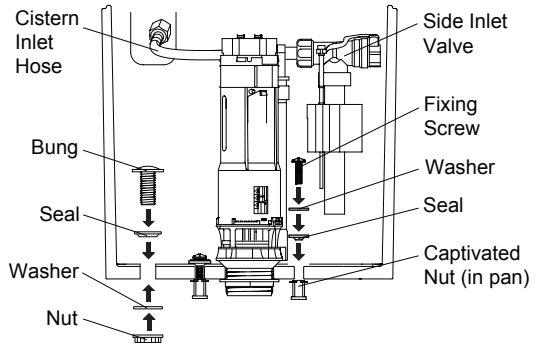
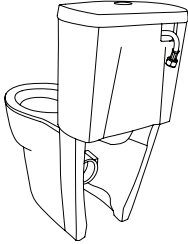
6 Position the toilet in the marked location, while ensuring an effective connection is made with the pan connector.

7 Install the plastic screw sleeves and use the screws to fix the toilet to the brackets. Attached the chromed caps to the screw heads.

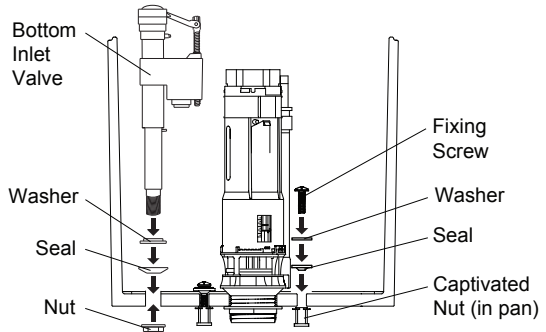
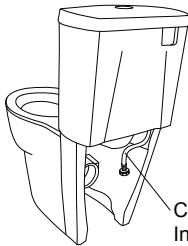
Cistern Installation

- 1 Identify the type of cistern configuration and ensure the components are installed securely.

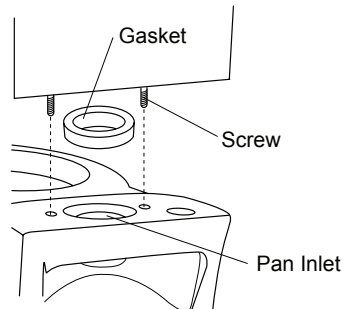
A) Top Rear Entry with Side Inlet Valve



B) Bottom Inlet



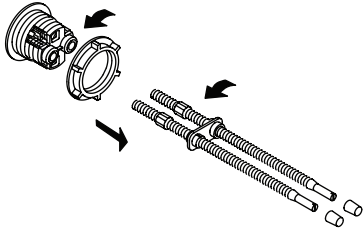
- 2 Position the cistern on the pan by centering the gasket on the pan inlet. Securely tighten the screws so the cistern is level.



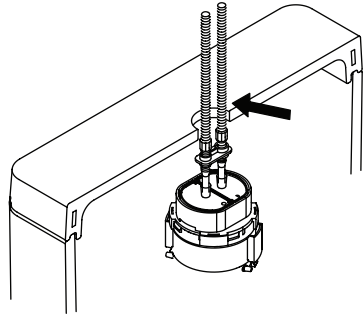
- 3 Connect the supply hose to the cistern inlet and connect the hose to the water supply shut-off valve to test the system for leaks. Shut off the water supply and disconnect the hose.

Push Button Installation

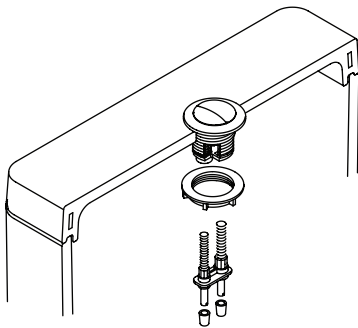
1 Disassemble the push rods.



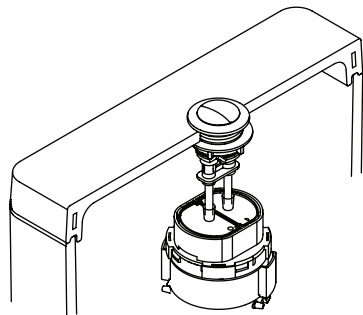
2 Using the push rod, measure the distance between the flush valve and the top of the cistern lid. Mark this length and cut the push rod to length.



3 Reassemble the push rods.



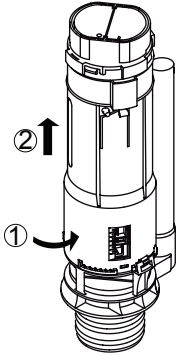
4 Fit the lid and test the buttons. Adjust the rods as required.



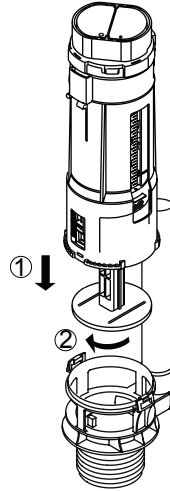
Flush Valve Removal and Installation

Flush Valve A

1 Release flush valve by turning anti-clockwise and pulling straight up on the canister.

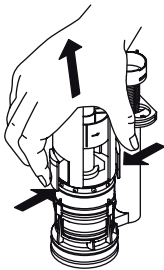


2 Assemble flush valve by pushing straight down into the canister and turning clockwise.

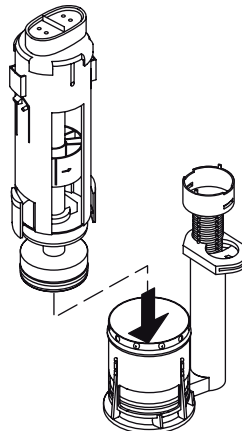


Flush Valve B

1 Release flush valve by squeezing the tabs on both sides of the canister and pulling straight up out of the flush valve.

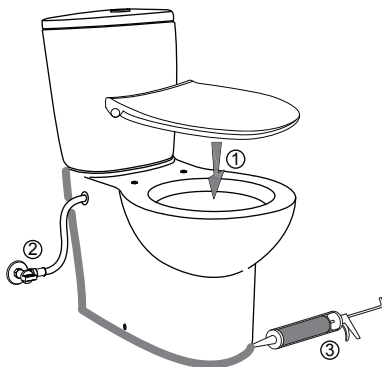


2 Assemble flush valve by pressing it into the flush valve so it snaps into place.



Finalising Installation

1 Install the seat as per the supplied seat instructions.



2 Make final connection of water supply hose to shut-off valve. Test the system for leaks.

3 Apply a suitable sealant between the pan and adjacent surfaces.

Your toilet suite is now installed.
Please refer to the Homeowner's Guide for care & cleaning instructions.

CONTACT AND WARRANTY INFORMATION

For warranty information, please visit our website

Australia

www.au.kohler.com

New Zealand

www.kohler.co.nz

KOHLER®

CALL US FOR HELP

NEW ZEALAND
KOHLER NZ LTD

Free Ph: 0800 564 537 (0800 KOHLER)
Free Fax: 0800 664 488
www.kohler.co.nz

AUSTRALIA
KOHLER CO.

Free Ph: 1 800 KOHLER
(1 800 564 537)
www.au.kohler.com