

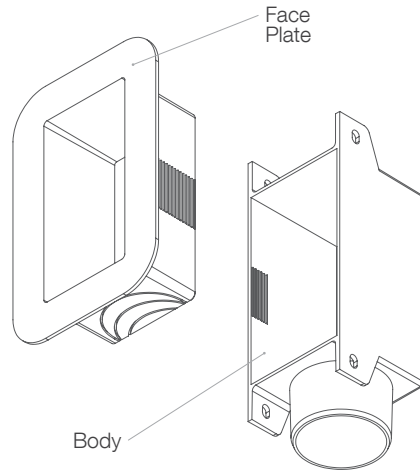
LAUNDRY OUTLET BOX

LOB SML

Install Instructions

allproof.com

Components:



Note:

This product has been designed to keep pipework for Laundry plumbing fixtures tidy and compact.

Any modification to this product may compromise the performance and will result in the warranty becoming void.

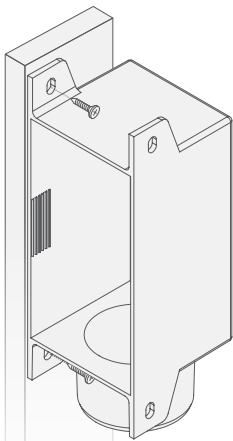
The product has been designed to work as per the below details and all installations should adhere.

The Laundry Outlet Box has been designed for use with 10-40mm plasterboard / wall finish thickness.

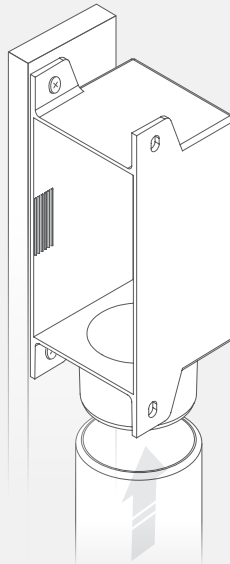
Allproof recommends checking the product prior to install ensuring there are no faults to the product obtained during transit.

Contact Allproof if you have any questions regarding installation.

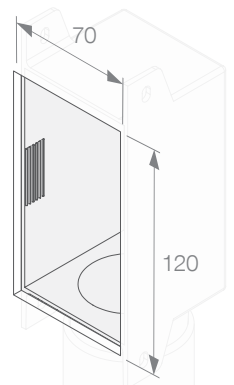
Install Steps:



Step 1
Fix body to framing using two fixing points.



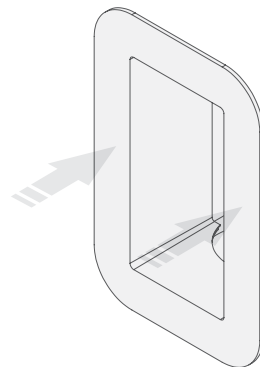
Step 2
Glue fix waste outlet riser pipe.



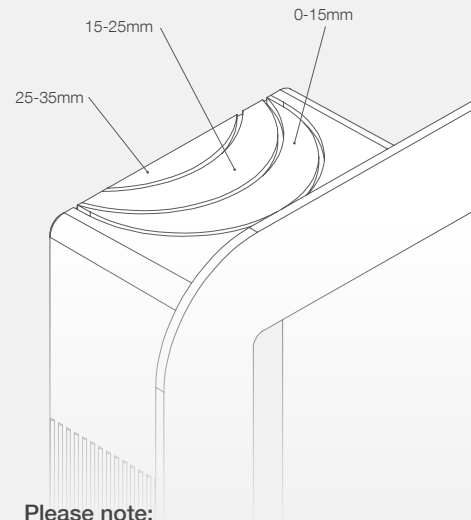
Step 3
Cut hole in plasterboard approximately 70mm wide x 120mm high where the Laundry Outlet Box is located and fix to wall. Designed for 10-40mm plasterboard / finished wall thickness.



Step 4
Breakaway required section of faceplate to suite finished wall thickness. Support required sections with thumb and forefinger, use a set of pliers to breakaway undesired element(s). Tidy area with deburring tool.



Step 5
Push on face plate covering exposed plasterboard edges.



Please note:
Breakaway elements above to suit varying wall finish thickness'. 35-40mm doesn't require any breakaway sections to be removed.