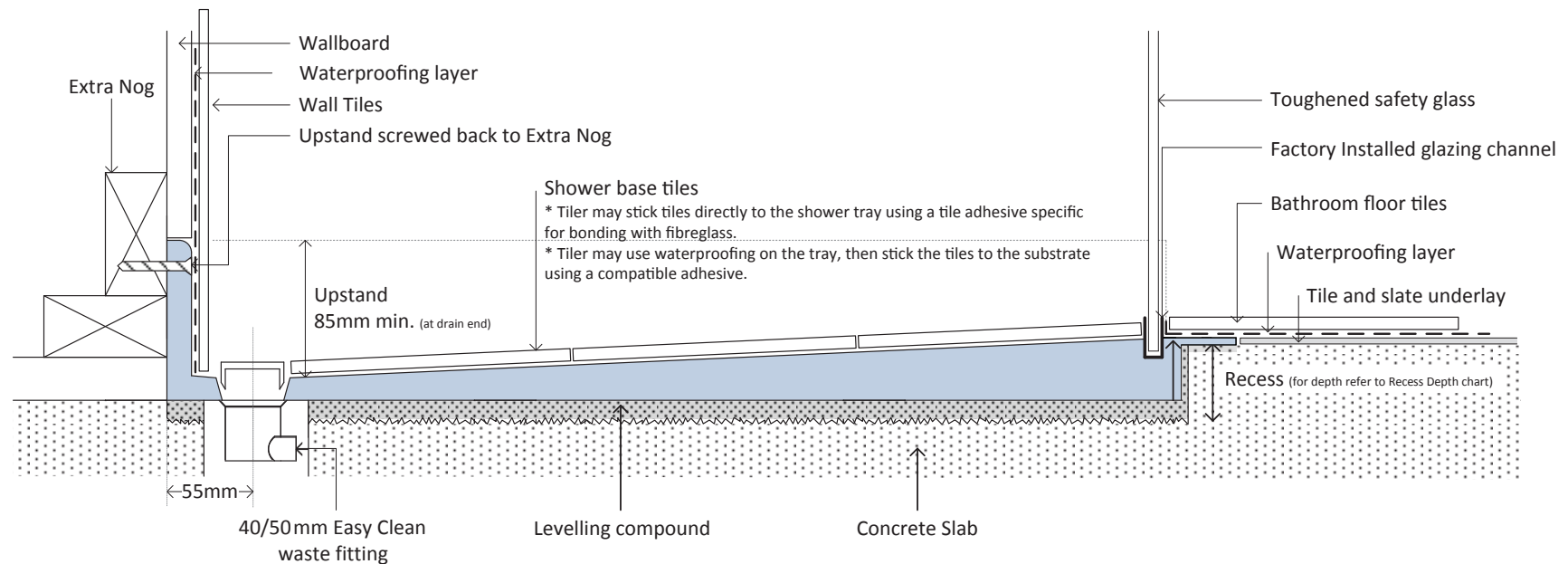
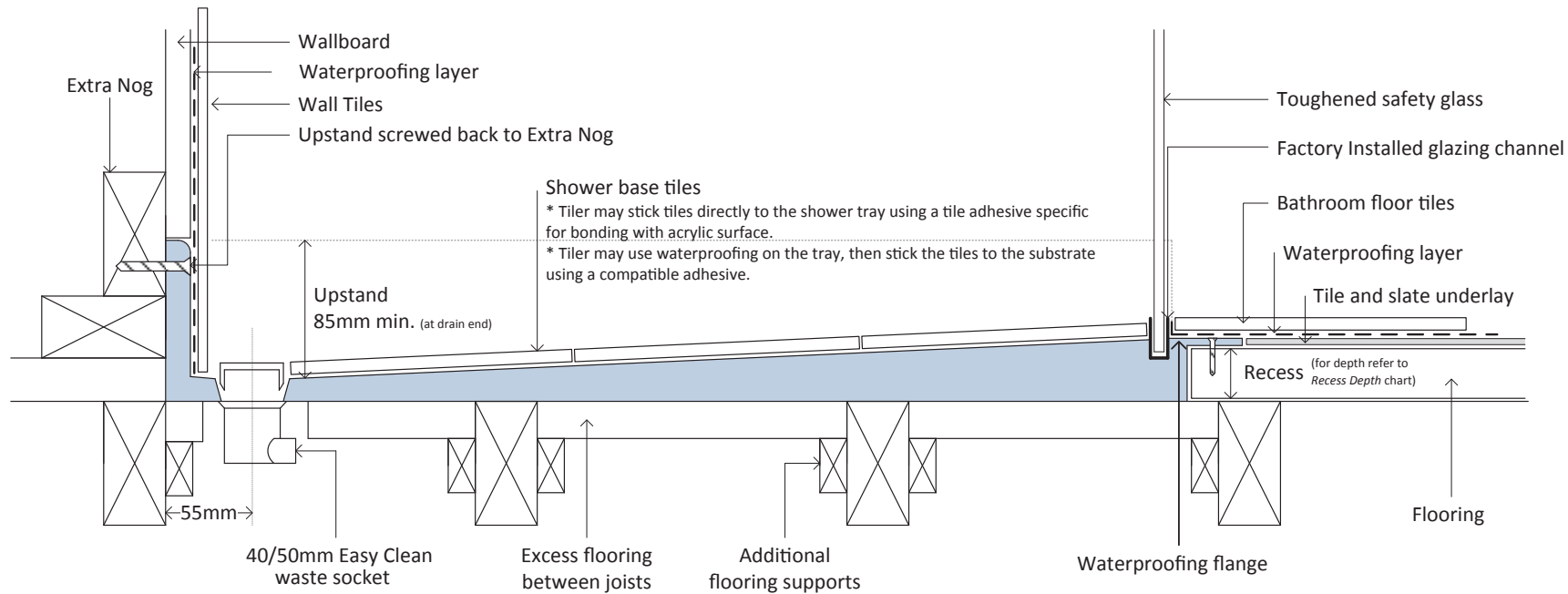


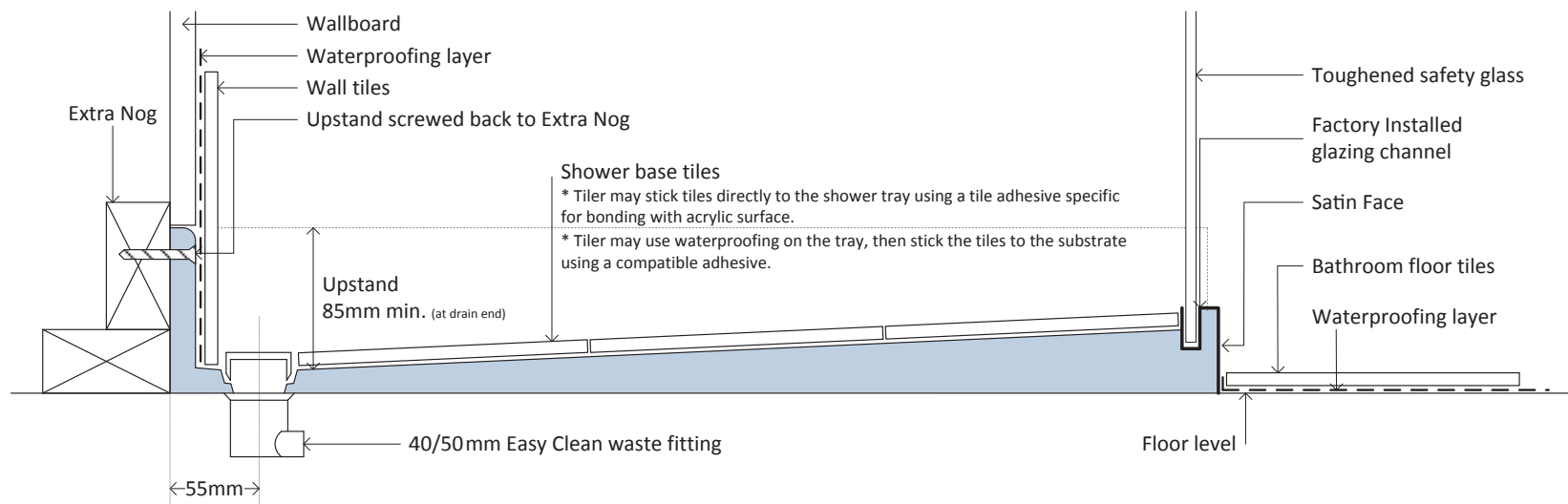
Linea Quattro Shower Base – Level Entry set in Concrete Floor



Linea Quattro Shower Base – Level Entry set in Timber Floor



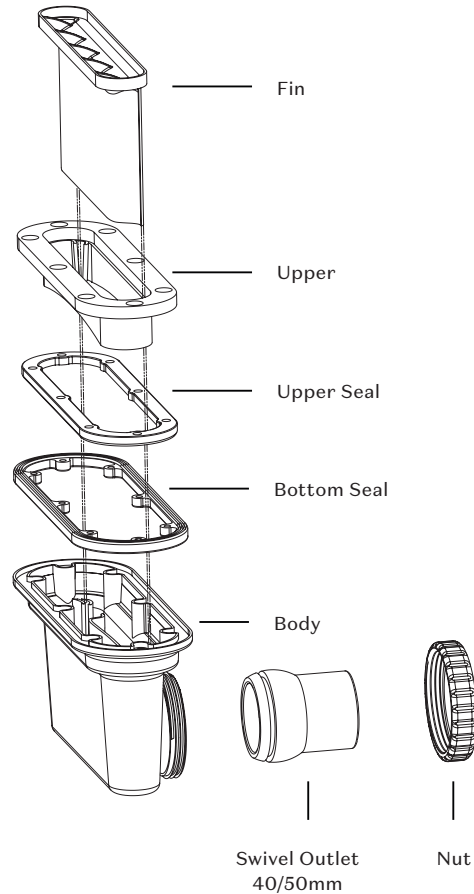
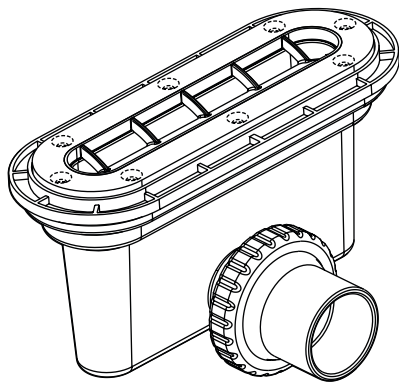
Linea Quattro Shower Base - Step Entry set on Timber or Concrete Floor



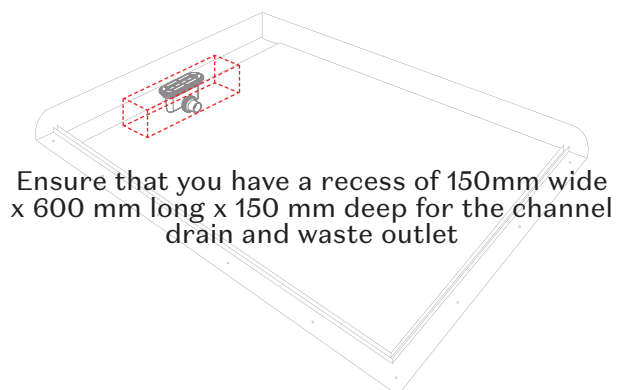
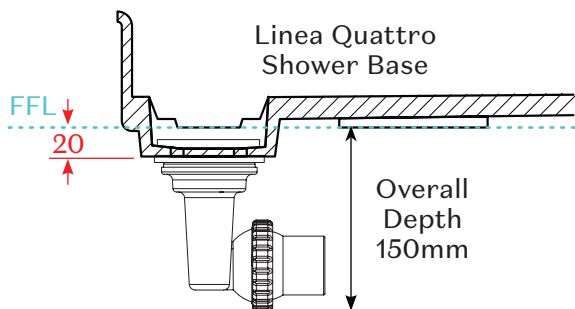
Waste Fitting Specifications

AQUAPLANE WASTE FITTING

- EasyClean Waste with in-built trap
- 50L/min ultra flow rate
- Removable fin for easy cleaning
- 40/50mm outlet with swivel fitting
- Components bolt together for guaranteed watertightness



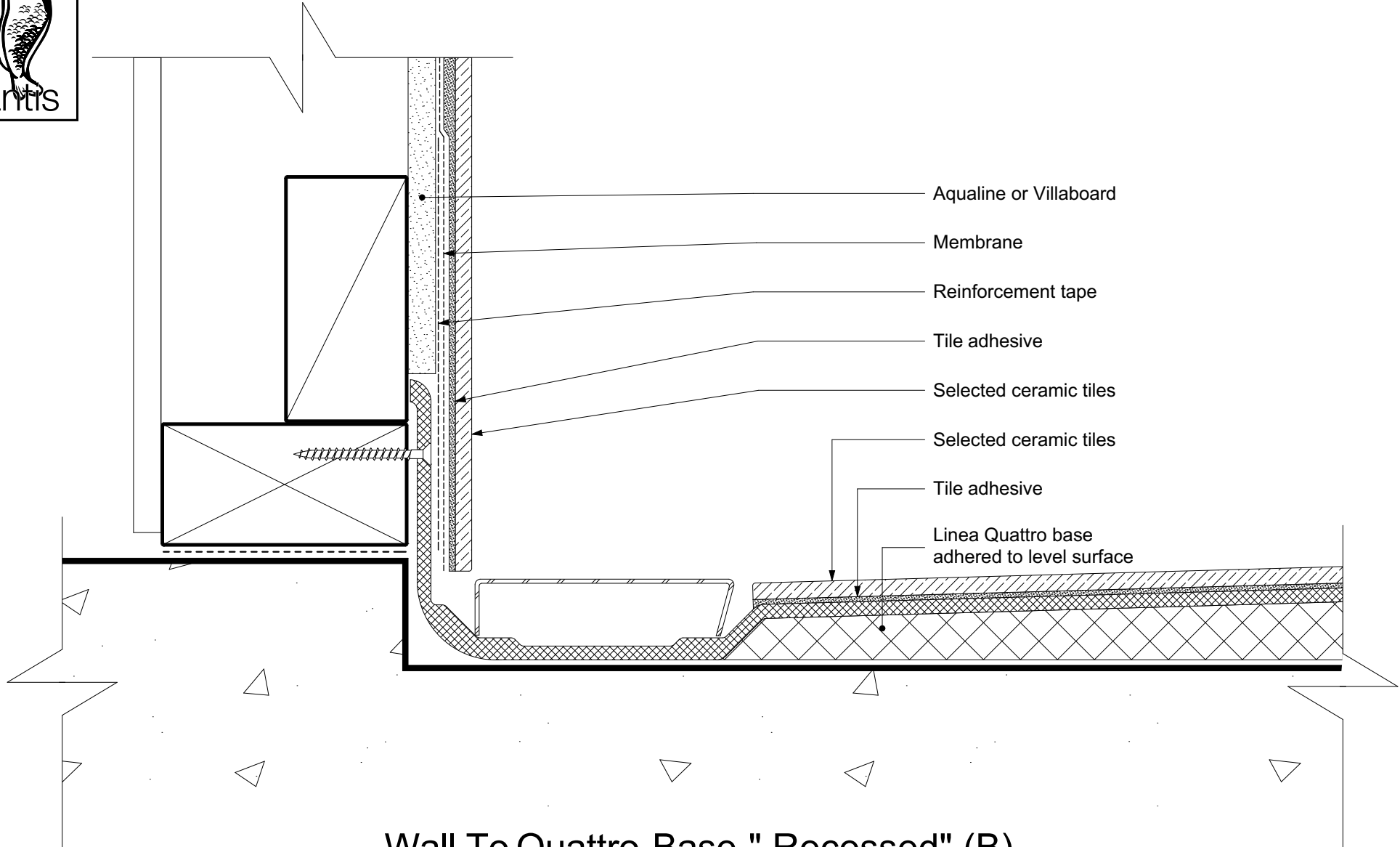
Waste and Channel Recess Specifications





atlantis Wet Area Systems

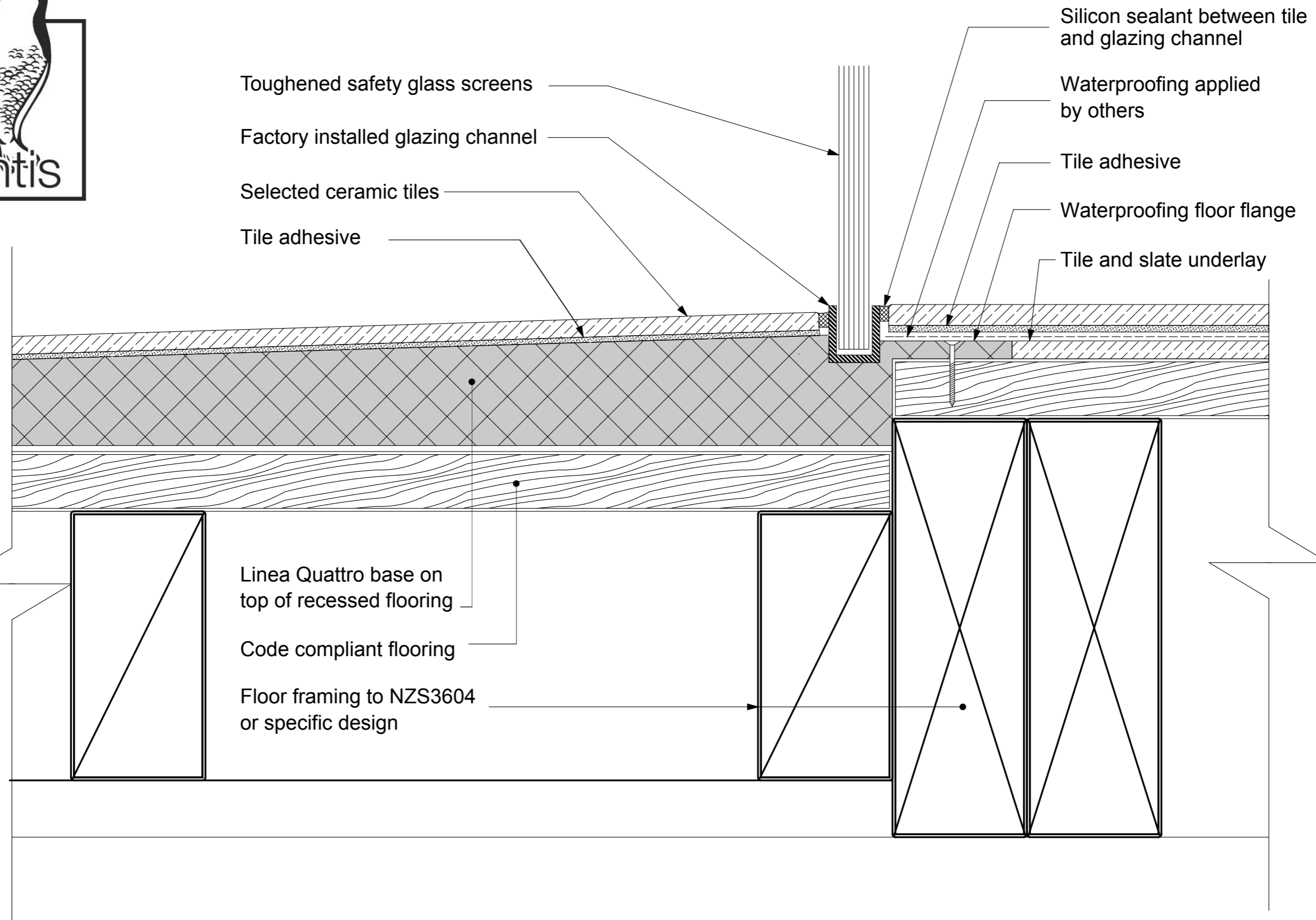
Shower - Tiled Walls & Linea Quattro Base "Recessed"



Wall To Quattro Base "Recessed" (B)



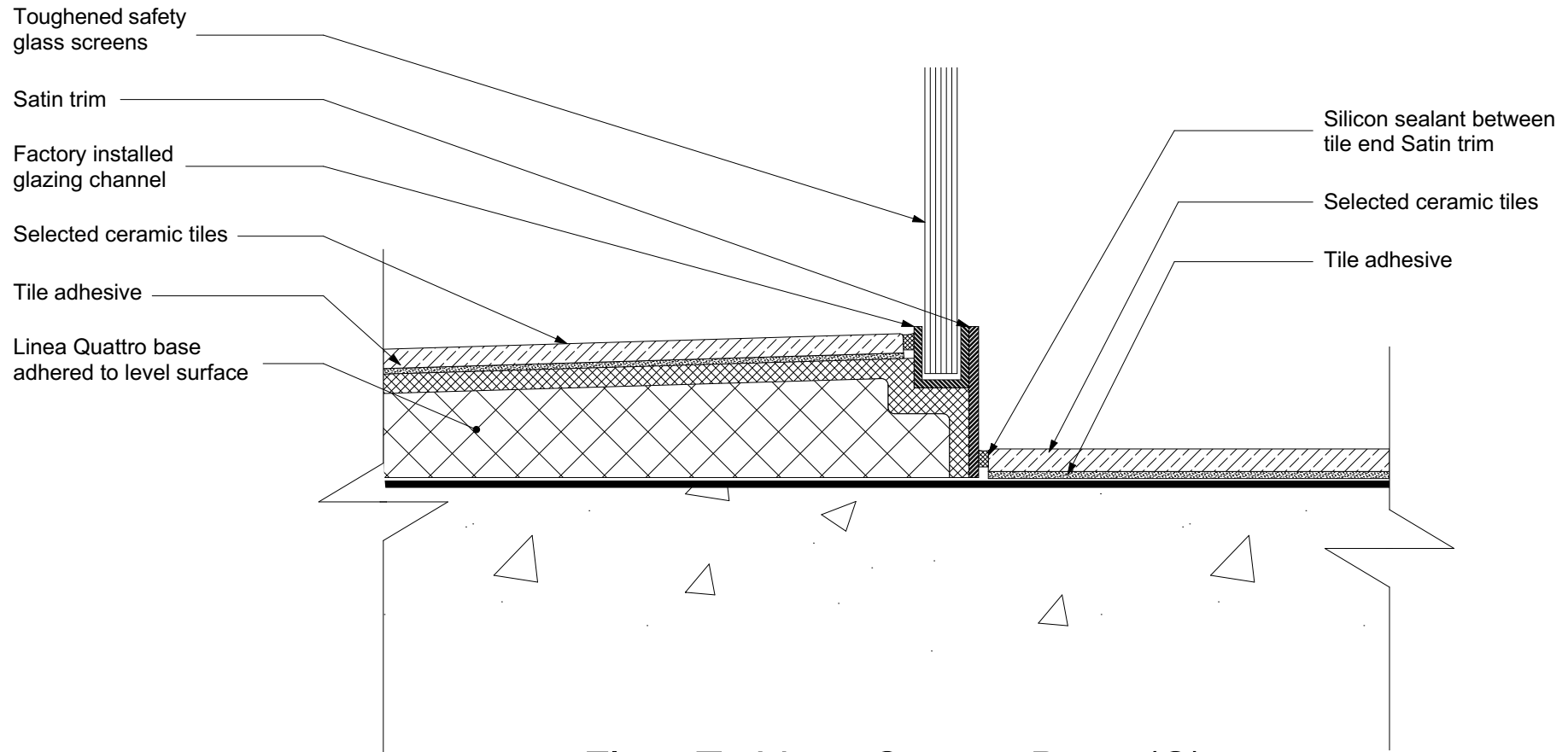
Linea Quattro Base Level Entry on Timber Floor



Linea Quattro Base Recessed into Timber Floor (C)



atlantis Wet Area Systems Shower - Tiled Walls & Linea Quattro Base

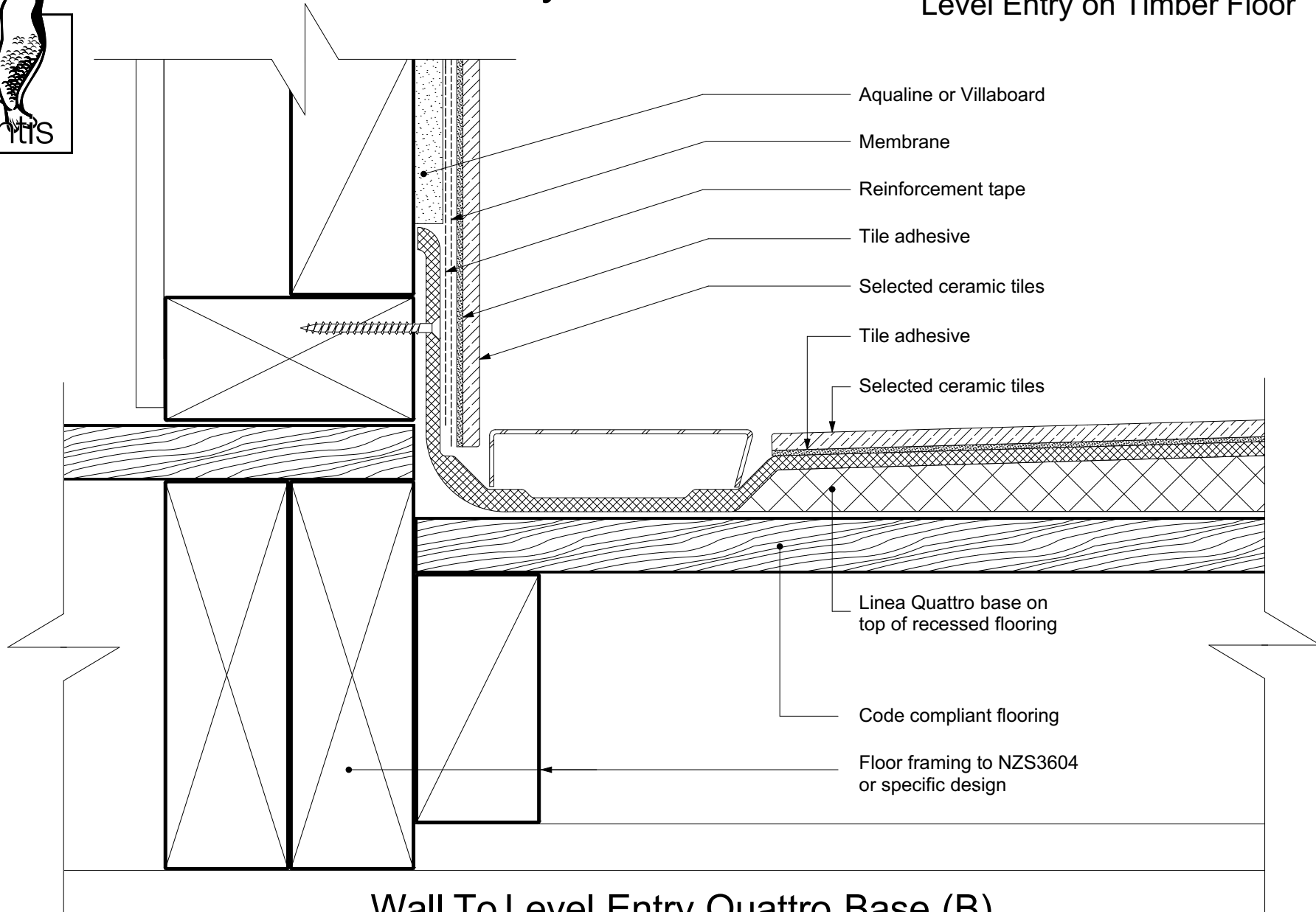


Floor To Linea Quattro Base (C)



atlantis Wet Area Systems

Shower - Tiled Walls & Linea Quattro Base Level Entry on Timber Floor

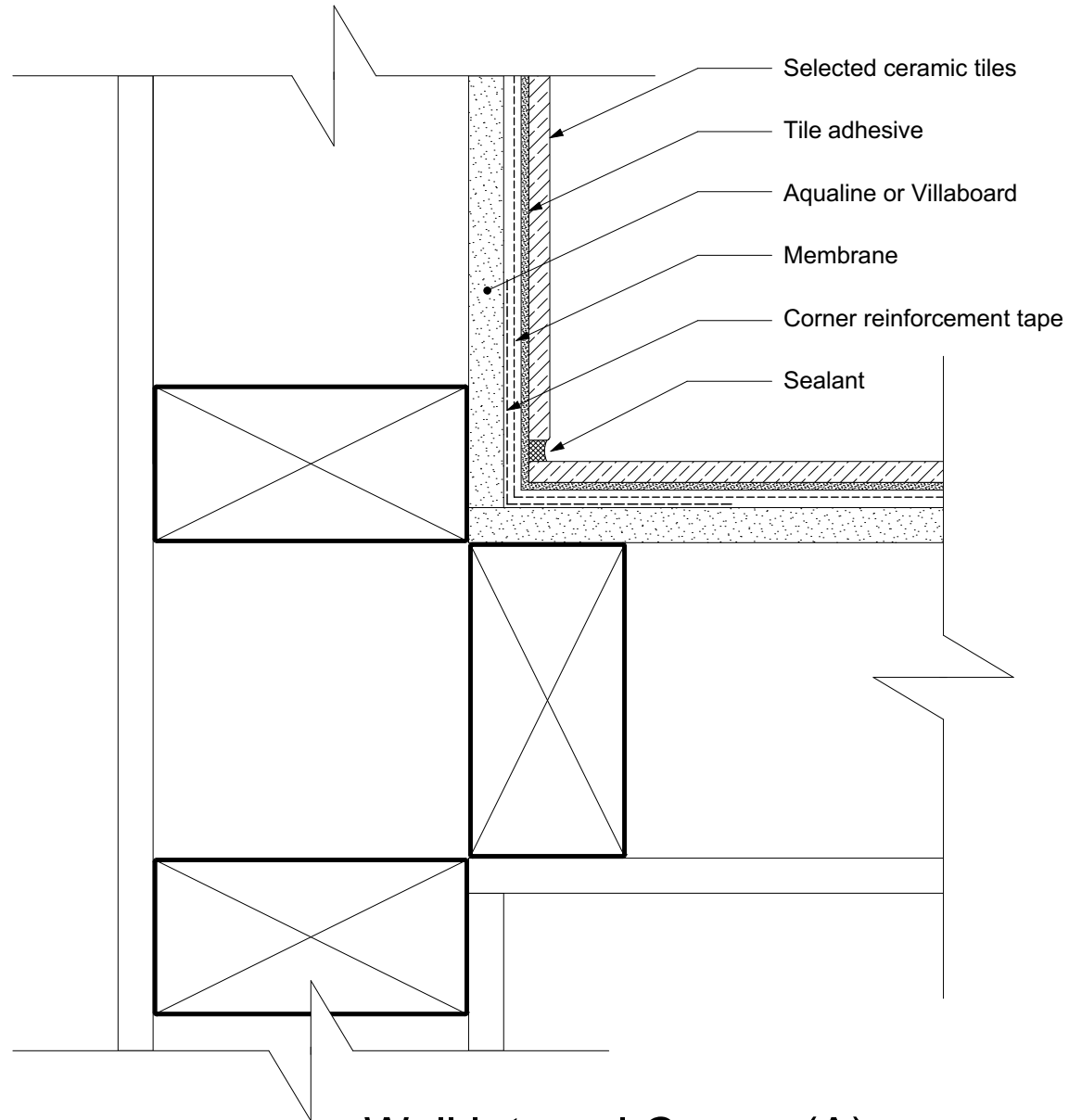


Wall To Level Entry Quattro Base (B)



atlantis Wet Area Systems

Shower - Tiled Walls



Wall Internal Corner (A)