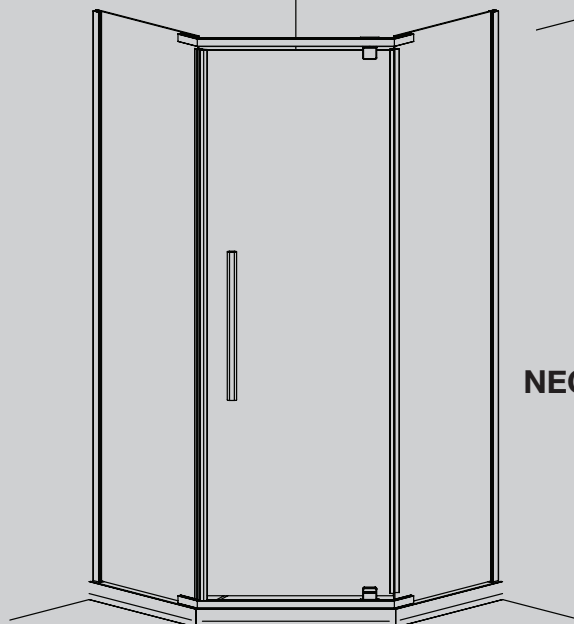
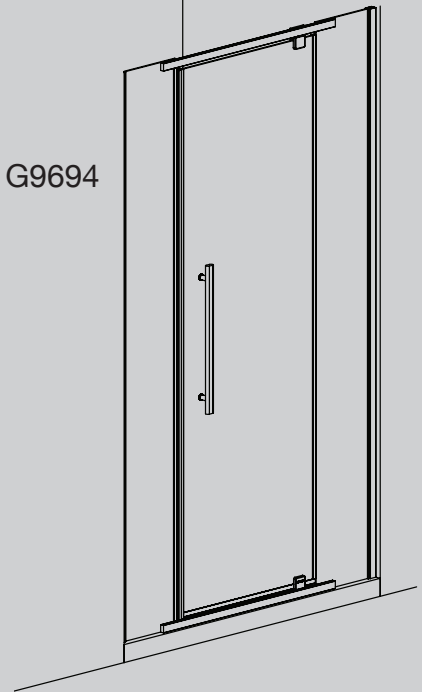


2-SIDED G9700

3-SIDED G9694



NEO ANGLE G9687



Important!

When you receive your Marbella shower check the following:

1. Custom orders have size on the box. Check and contact us immediately if not sure.
2. Advise Newline on 0508 639 5463 if any freight damage has occurred within 8 hours.
3. Do not install if items 1 and 2 are not right as a later claim will not be valid.

PIVOT DOOR SETS 2 SIDED, 3 SIDED ALCOVE & NEO ANGLE APPLICATIONS

IMPORTANT

When you receive your Newline shower check contents for any freight damage. Advise Newline on 0508 639 5463 if any damage has occurred within 8 hours of receiving the goods so this can be rectified. Do not proceed with installation until resolved otherwise there cannot be a valid claim later.

INSTRUCTIONS

Tray and liner instructions: come with the specific tray supplied

Shower waste and supply fittings: must be installed by a registered plumber.

WARRANTY

Faulty goods are covered under warranty for 5 years. Visit www.newline.co.nz for warranty information.

Breakages incurred during construction are not covered under warranty.

Installations must conform to the instructions to be covered by the warranty.

HEALTH AND SAFETY

Toughened glass:

- Do not rework precut glass panels. Cutting or altering a glass panel will cause it to explode without warning.
- Unpack all glass assemblies. Stand glass on soft packaging on the floor and against a wall. Care must be taken not to strike any edge or corner against a hard surface as this will chip and destroy the glass panel.

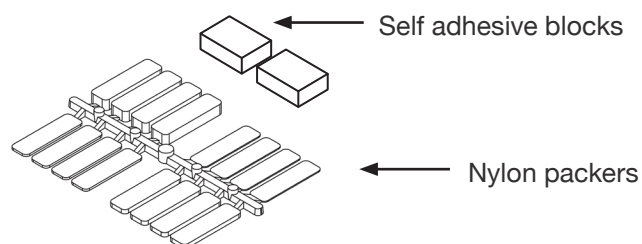
Installation:

- Glass panels and assemblies are heavy. Two man lifting is recommend for handling and installation.
- Determine positioning of wiring and piping within wall cavities before shower installation. Mark their positions to ensure electrical and piping areas are avoided.
- Wear appropriate protective clothing and eye protection during installation.

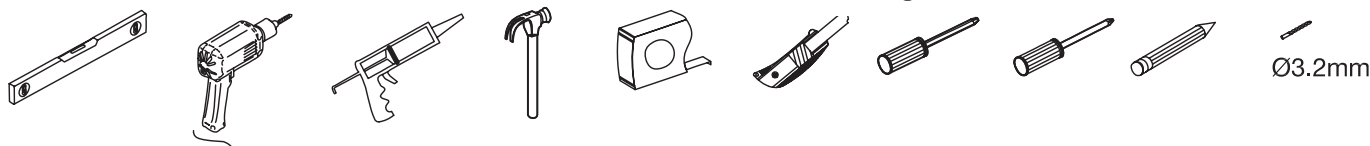
MATERIALS SUPPLIED

Sika Silaflex ng translucent silicone (acrylic shower)

Bostik V60 (tile shower)



TOOLS REQUIRED



AFTERCARE

The shower must be squeegeed down after each shower. Thoroughly clean weekly with a microfiber cloth, mild detergent and water. Rinse with clean water and squeegee and wiped dry.

NEWLINE RECOMMENDS A SKILLED TRADESMAN FAMILIAR WITH SHOWER INSTALLATIONS TO ENSURE THE VERY BEST OUTCOME.

PREPARATION CHECKLIST

ENSURE YOU TICK THE SPECIFIC BOXES THAT APPLY AS YOU PROGRESS

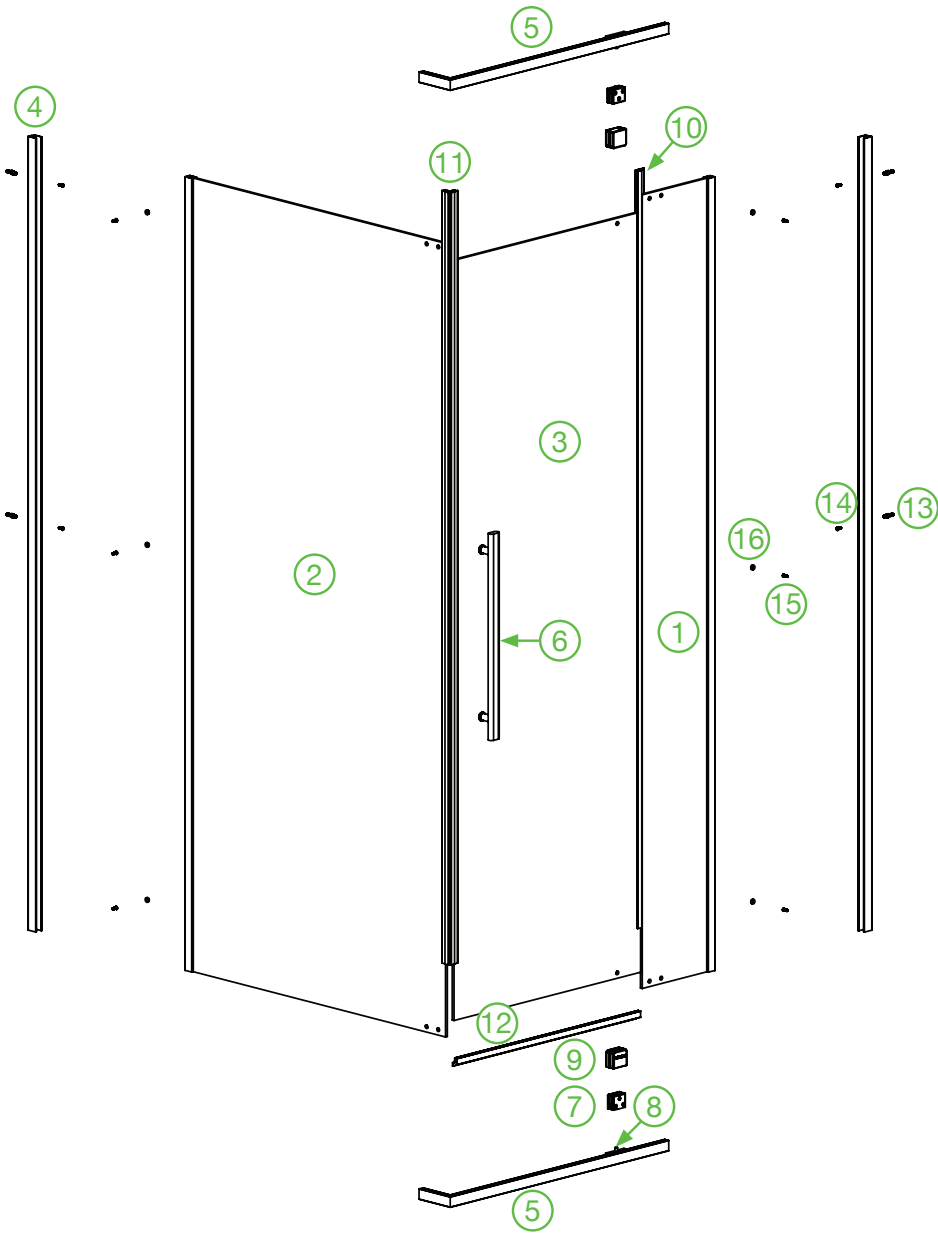
- Floor & Walls:** Floor must level with no deflection and walls plumb and flat. This is of all importance for a successful installation.
- Tray and Liner:** Instructions for tile trays or acrylic trays & liner are supplied with the specific tray ordered.
Acrylic & ProFinish distinction of build details:
Acrylic: Tray firmly against wall frame. Upstand rebated under “wet area” wall cladding.
Tile: Framed and full cover with “wet area” cladding. Tile Tray butted against wall cladding.
- Frame:**
 1. **Wall Profile options**
Acrylic Tray: Centered 25mm off outside of tray edge
Hob Tile Tray: Centered 45mm of finished tile edge. (Allow for outside edge tile)
Level Entry: Centered at the transition line (where slope begins)
 2. **Solid fixings for wall mounted plumbing fittings**
Consult with the plumber.
- Wet Grade lining:** Aqualine Gib. or equivalent, must be used behind all shower installations for compliance
- Plumbing:** Use a registered plumber for installation of supply and waste items prior to Tray and Wall linings
- Waterproofing “ProFinish Tile Trays”:** This must comply with AS/NZS 4858:2004 and be undertaken by certified applicator and a Producer Statement provided. There is a list of proven systems on our website www.newline.co.nz
- Tiling:**
 1. Newline requires the use of complete systems by licenced/trained applicators. Waterproofing, tile adhesive, grouting and silicone detailing for full accountability and performance requirements.
 2. The tiles must conform to gradients provided with the “ProFinish Tile Tray” to comply to NZ Building Code.
 3. The line where shower frame sits must be level for an acceptable install of the shower.

MARBELLA INDEX: Use this to identify the pages specific to your installation

Page No.

4	2-Sided Exploded View And Parts List
5	2-Sided Layout Page
6	3-Sided Alcove Exploded View And Parts List
7	3-Sided Alcove Layout Page And Specific Install Steps
8	Neo Angle Exploded View And Parts List
9	Neo Angle Layout Page And Specific Install Steps
10-12	2-Sided Detailed Install Steps 1 To 7 (Reference Also For 3-Sided And Neo Additional Info)

2-SIDED EXPLODED VIEW AND PARTS LIST

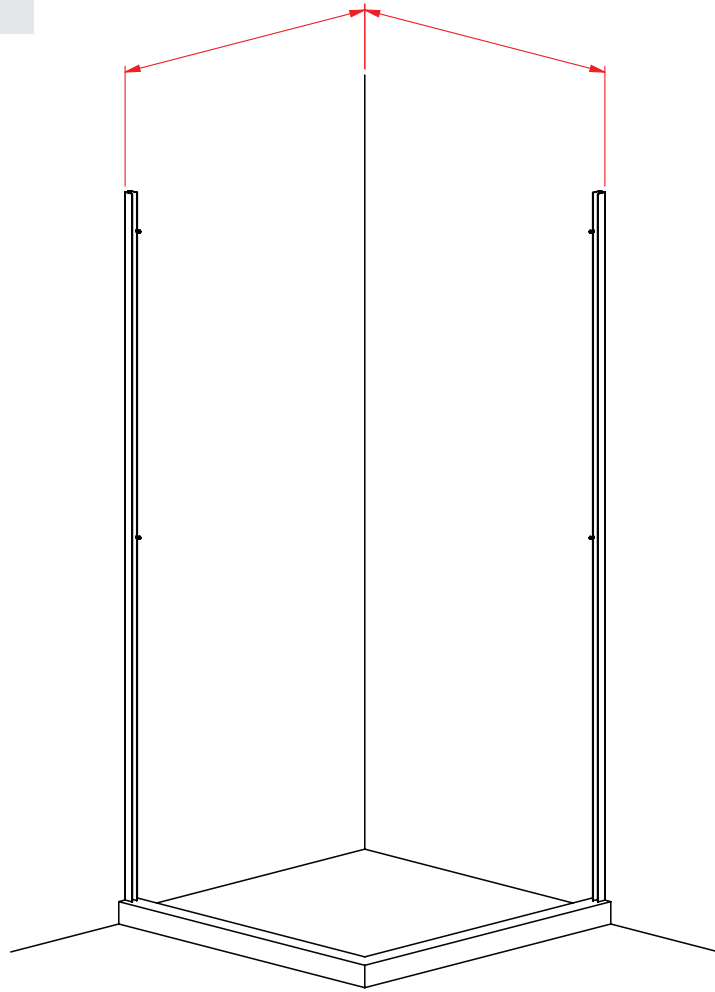


COMPONENT LIST			COMPONENT LIST			
	Part No.	QTY		Part No.	QTY	
1	Front Fixed Panel	1	9	Pivot Clamp Covers	H5290	4
2	Return Panel	1	10	Back Door Seal	I6068	1
3	Door Glass	E3371	11	Magnetic Seal Set	I6051	2
4	Wall Profiles	A6751	12	Bottom Door Seal	I6013	1
5	90 Degree Chrome Bar Set (Studs, Washers, & Nuts Fitted)	2	13	Wall Plugs		6
6	Door Handle	H5511	14	6G x 40mm Screws	F4163	6
7	Pivot Clamps	H5245	15	6G x 12mm Screws		6
8	Chrome Pivot Blocks	2	16	Screw Caps		6

Screw Pack

2-SIDED LAYOUT PAGE

Go to page 10 for installation steps 1 to 5.



ACRYLIC TRAY & LINER

Wall Profiles positioned at approx. 17mm off Tray edge. Cross check Min to Max Table to define this.

TILE TRAY

Use the Min to Max table below to align the wall Channels to a ProFinish Hob Tile Tray.

2-Sided: Acrylic & Tile Trays

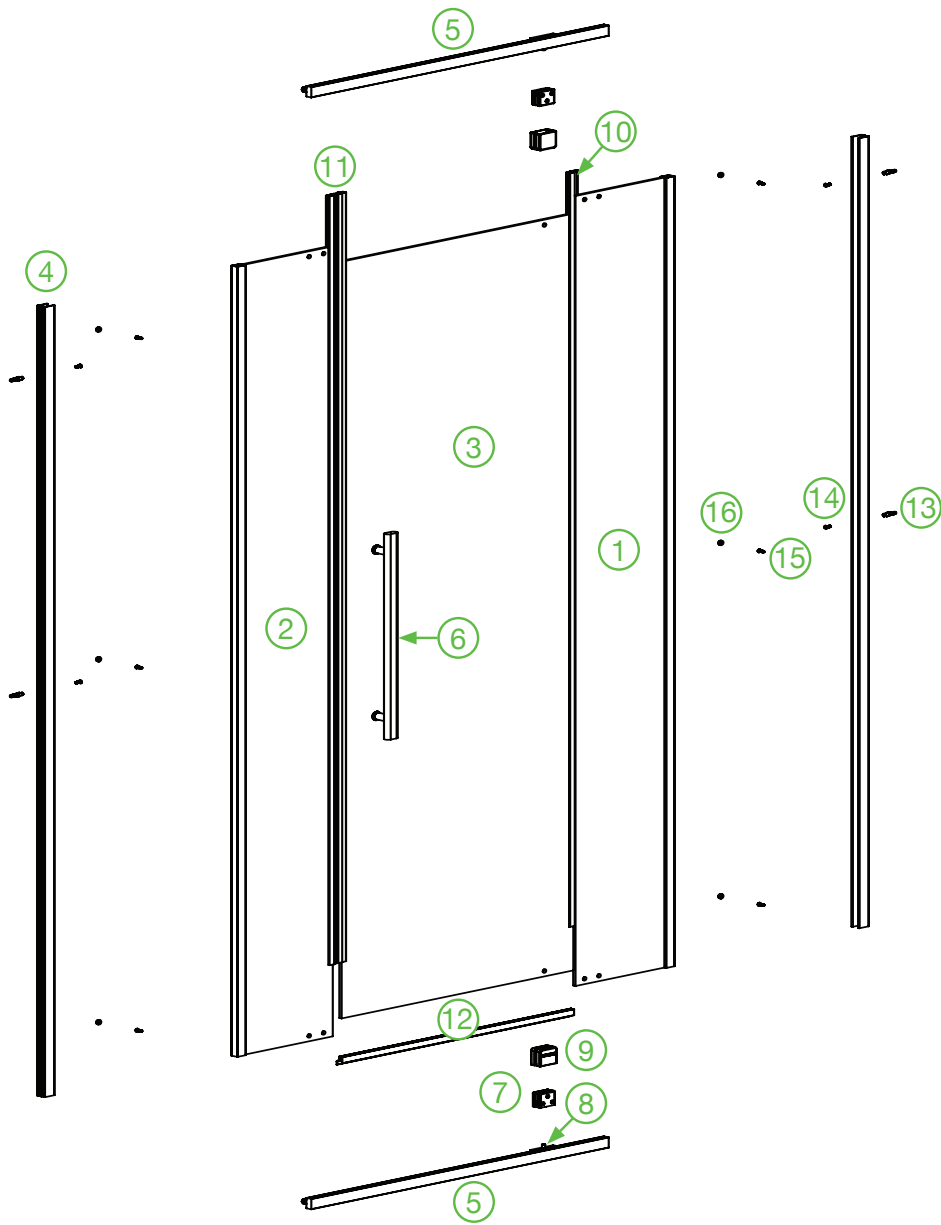
Layout Minimum to Maximum Range

Size	Door Set	Return Panel
820 x 820	776mm - 788mm	776mm - 788mm
915 x 915	871mm - 883mm	871mm - 883mm
1000 x 1000	956mm - 968mm	956mm - 968mm
1200 x 915	1156mm - 1168mm	871mm - 883mm
915 x 750	871mm - 883mm	706mm - 718mm

PENETRATION OF WATERPROOFING UNDER TILES

Waterproofing warranties are potentially void with penetrations of membrane. Bond wall profiles with Bostik V60. Minimum curing 24 hours (2mm to 3mm). Curing is by atmospheric moisture absorption (approx. 7mm in 7 days).

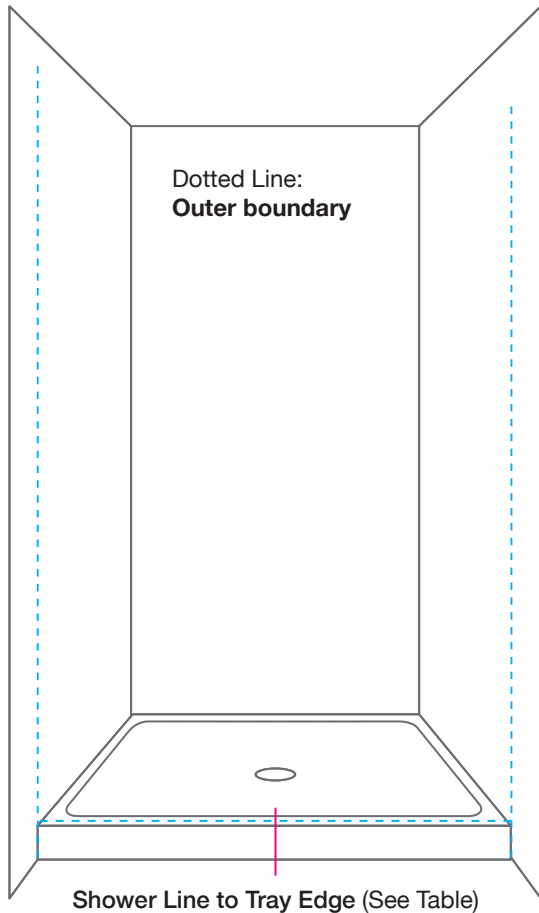
3-SIDED ALCOVE EXPLODED VIEW AND PARTS LIST



COMPONENT LIST			COMPONENT LIST			
	Part No.	QTY		Part No.	QTY	
1	Fixed Glass (Pivot Side)	1	9	Pivot Clamp Covers	H5290	4
2	Fixed Glass (Opening Side)	1	10	Back Door Seal	I6068	1
3	Door Glass	E3371	11	Magnetic Seal Set	I6051	2
4	Wall Profiles	A6751	12	Bottom Door Seal	I6013	1
5	Chrome Straight Bars Set (Studs, Washers, & Nuts fitted)	2	13	Wall Plugs		6
6	Door Handle	H5511	14	6G x 40mm Screws	F4163	6
7	Pivot Clamps	H5245	15	6G x 12mm Screws		6
8	Chrome Pivot Blocks	2	16	Screw Caps		6

Screw Pack

3-SIDED ALCOVE LAYOUT PAGE AND SPECIFIC INSTALL STEPS



TILING NOTES: Waterproofing Warranties can be void if there are penetrations of the membrane. Details on bonding of wall profiles and curing times on page 5.

MARBELLA 3-SIDED ALCOVE

3-SIDED ALCOVE DOOR SET LAYOUT TABLE

SHOWER SIZE	DOOR SET-MIN TO MAX
900 Door	858 to 878mm
1000 Door	958 to 978mm
1200 Door	1158 to 1178mm

3-SIDED ALCOVE ACRYLIC TRAY SIZES

TRAY	SIZE (+ or - 1mm)
900	905 wide x 900 Deep
1000	1005 wide x 1000 Deep
1200	1205 wide x 915 Deep

Note: Ensure tray fits firm to framing so standard Acrylic liner and 3-sided doorset match up.

NOTE: Check preparation checklist on page 3 for info on acrylic & tile tray distinctions of build details.

PROFINISH TILE TRAY SIZES

TRAY	SIZE
900 Tray	900x900mm
1000 Tray	1000x1000mm
1200 Tray	1200x1000mm

SHOWER BOUNDARY LINE OFF TRAY EDGE

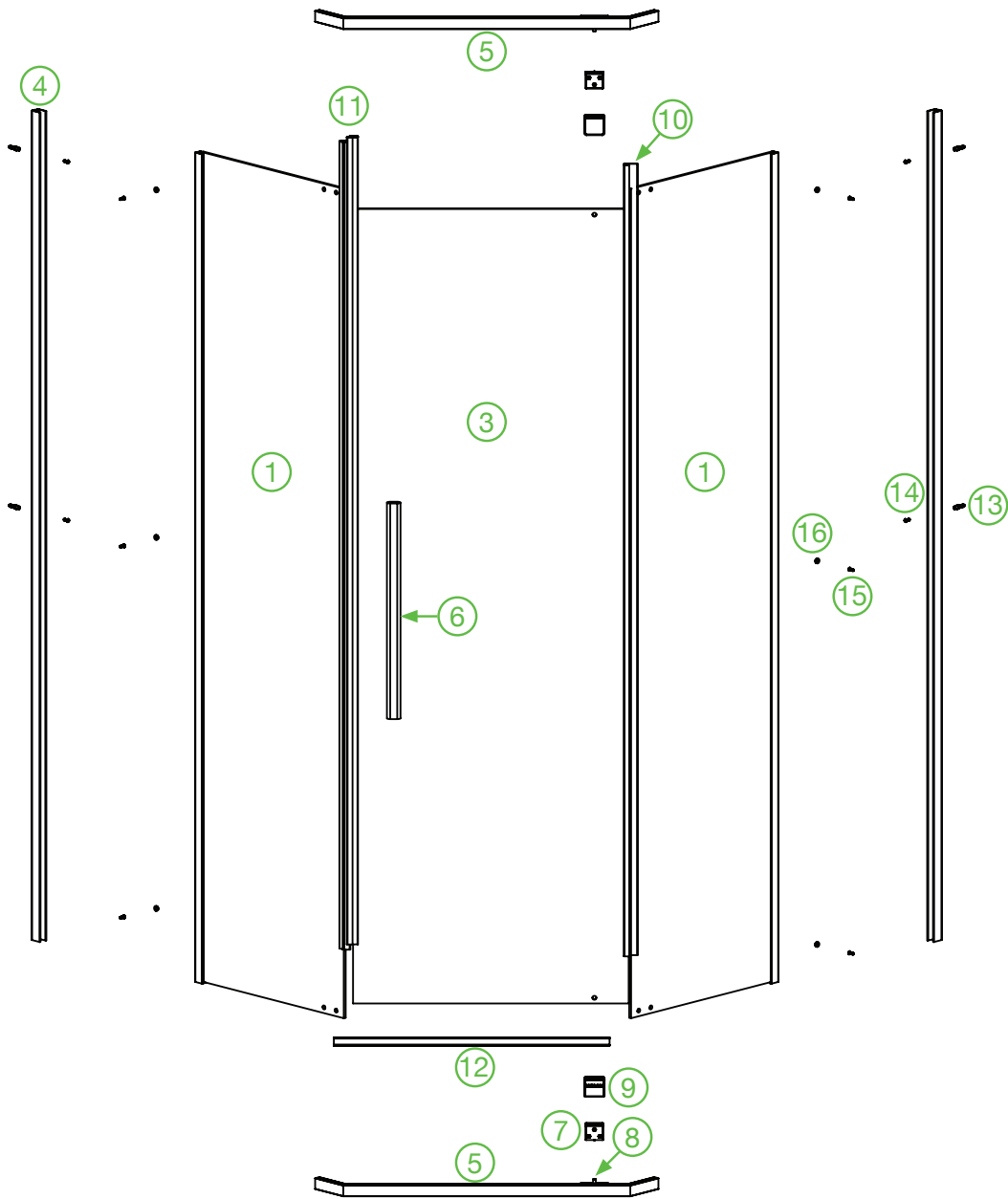
Acrylic Tray	19mm
ProFinish™ Tile Tray	35mm

MEASUREMENTS NOTE: Dimensions given assume the floor is Level and all surfaces are flat. Tiling calculations are based on 10mm tiles. This equates to approx. 14mm with adhesive

3-Sided Alcove Steps (Additional details and steps can be found in the 2-Sided instructions)

1. Mark the wall profile position from the boundary line table above.
2. Fit both wall profiles in position: **Acrylic:** Apply silicone at back and screw to wall. **Tile:** Bond to tiles (refer 2-Sided layout, bonding & penetration of waterproofing, page 5).
3. The door is best hinged on the shower rose side.
4. Fit both fixed glass panels into wall profiles. **Caution: The profile on the glass is a neat fit to wall profile. Adjust this in progressively to final position to avoid horizontal scratches.**
5. Join fixed glass panels with top and bottom chrome bar sets (governs door gap). Ensure the pivot mounting is on the selected hinged side. Locate nylon washers each side of the glass and tighten up to firm only.
6. Assemble all seals for door (refer to step 3 of 2-Sided for details, page 11).
7. Pivot clamps are on door (nuts for clamps must face outside as pivot is offset). Fit bottom pivot block on bottom chrome bar.
8. Fit door handle (refer to 2-Sided step 2, page 9).
9. Fitting of door: Place pivot clamp into pivot block on bottom chrome bar. Assemble top pivot block onto pivot clamp and fasten block to top chrome bar.
10. Adjust door to fit, tighten clamps and pivot block, equalize shower to tray and screw frame to wall profiles.
11. Silicone seal boundary of shower (see page 12).

NEO ANGLE EXPLODED VIEW AND PARTS LIST



COMPONENT LIST			COMPONENT LIST				
	Part No.	QTY		Part No.	QTY		
1	Fixed Return Panels	2	9	Pivot Clamp Covers	H5290	4	
3	Door Glass	E3371	1	10	Back Door Seal	I6082	1
4	Wall Profiles	A6751	2	11	Magnetic Seal Set	I6006	2
			2	12	Bottom Door Seal	I6006	1
5	Chrome Neo Bars Set (Studs, Washers, & Nuts fitted)		2	13	Wall Plugs		6
6	Door Handle	H5511	1	14	6G x 40mm Screws	F4163	6
7	Pivot Clamps	H5245	2	15	6G x 12mm Screws		6
8	Chrome Pivot Blocks		2	16	Screw Caps		6

Screw Pack

NEO ANGLE LAYOUT PAGE AND SPECIFIC INSTALL STEPS

MARBELLA NEO ANGLE

NEO ANGLE DOOR SET - LAYOUT TABLE

SHOWER SIZE	DOOR SET-MIN TO MAX
955	930 to 942mm
1055	1030 to 1042mm

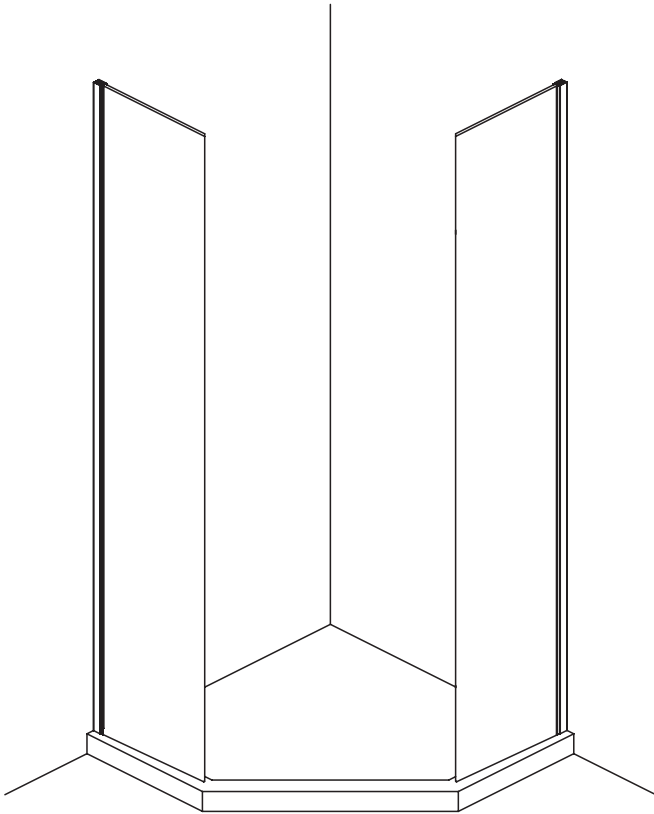
NEO ANGLE ACRYLIC TRAY SIZES

TRAY	SIZE (+ or - 1mm)
955	955 x 955
1055	1055 x 1055

NOTE: Check preparation checklist on page 3 for info on acrylic & tile tray distinctions of build details.

NEO PROFINSH TILE TRAY SIZES

TRAY	SIZE
955	955 x 955
1055	1055 x 1055



TILING NOTES: Waterproofing Warranties can be void if there are penetrations of the of the membrane. Details on bonding of wall profiles and curing times on page 5.

MEASUREMENTS NOTE: Dimensions given assume the floor is Level and all surfaces are flat. Tiling calculations are based on 10mm tiles. This equates to approx. 14mm with adhesive

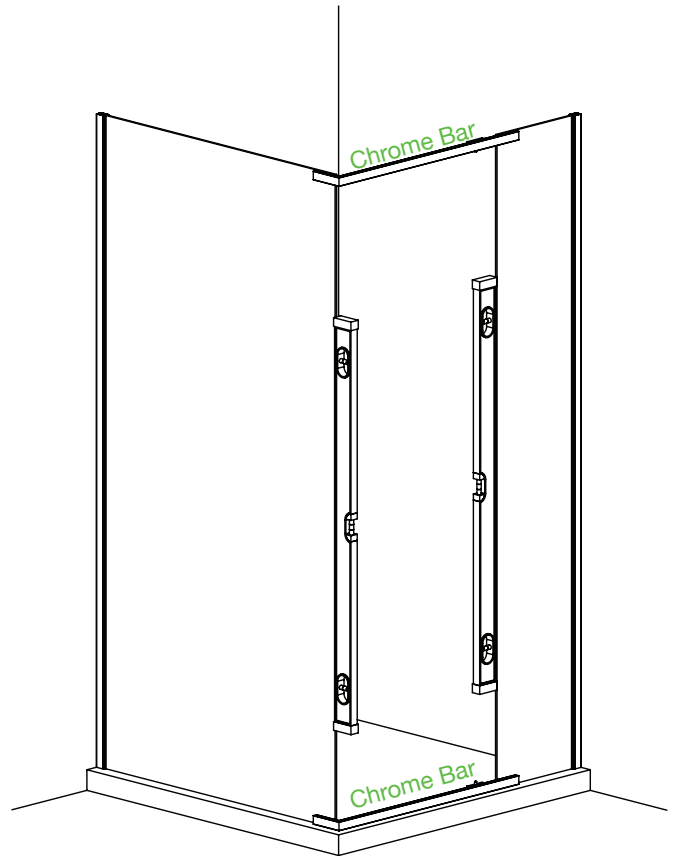
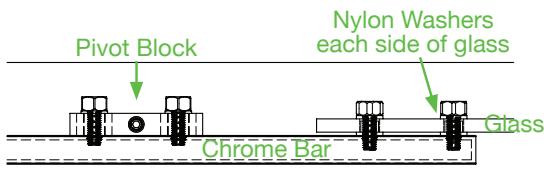
Neo Angle Steps (Read in conjunction with 2-Sided steps if more details are needed)

1. Mark wall profile position off the tray edge. Use Min to Max range in layout table.
2. Fit both wall profiles in position. **Acrylic:** Apply silicone at back and screw to wall. **Tile:** Bond to tiles (refer 2-Sided layout, bonding & penetration of waterproofing, page 5).
3. Fit the both fixed glass panels into wall profiles. **Caution: The profile on the glass is a neat fit to wall profile. Adjust this in progressively to final position to avoid horizontal scratches.**
4. Join fixed glass panels with top and bottom chrome bar sets (governs door gap). Ensure the pivot mounting is on the selected hinged side. Locate nylon washers each side of the glass and tighten up to firm only.
5. Assemble all seals for door (refer to step 3 of 2-Sided instructions, page 11).
6. Pivot clamps are on the door (nuts for clamp must be on outside as pivot is offset). Fit pivot block on bottom chrome rail.
7. Fit door handle (refer to 2-Sided step 2, page 11).
8. Fitting of door: Place pivot clamp into pivot block on bottom chrome bar. Assemble top pivot block onto pivot clamp and fasten block to top chrome bar.
9. Adjust door to fit, equalize shower to tray and screw frame to wall profiles.
10. Silicone seal boundary of shower (see page 12).

2-SIDED DETAILED INSTALL STEPS 1 TO 7 (REFERENCE ALSO FOR 3-SIDED AND NEO ANGLE)

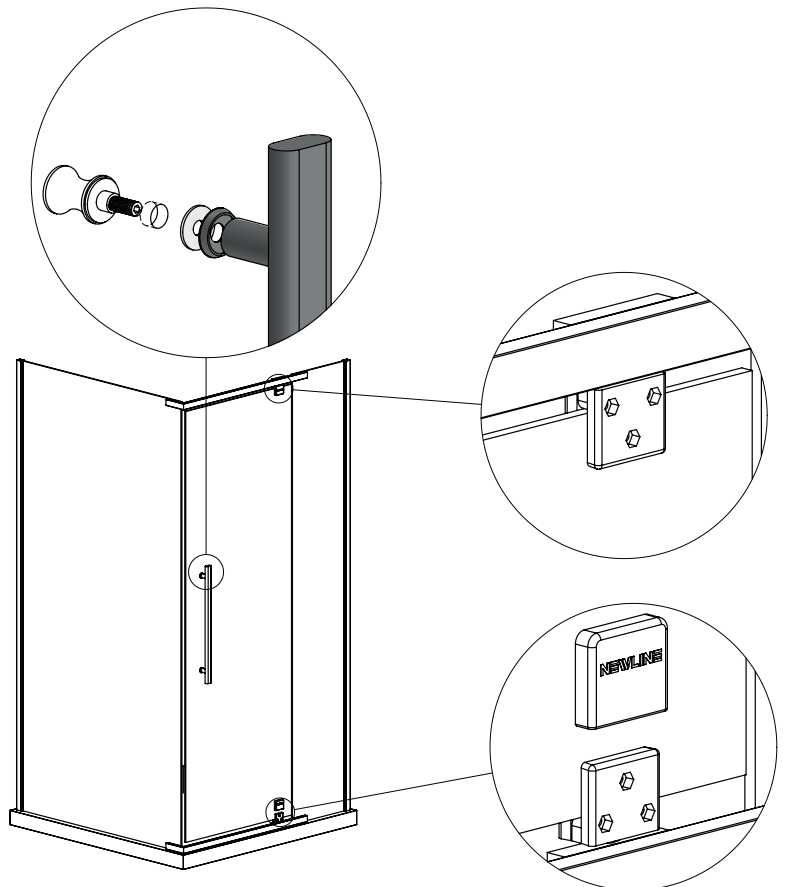
STEP 1: FIXED GLASS & BAR ASSEMBLY

- Slide both fixed glass panels into wall profiles. **Caution: The profile on the glass is a neat fit to the wall profile. Adjust this in progressively to final position to avoid horizontal scratches.**
- Fit chrome top and bottom bars (these govern the door gap). Ensure that the pivot block mounting is on the shower rose side.
- Plumb up door glass surrounds, pack under chrome rail if needed.
- Equalise shower to tray and screw off to wall channels.



STEP 2: ASSEMBLE & FIT DOOR

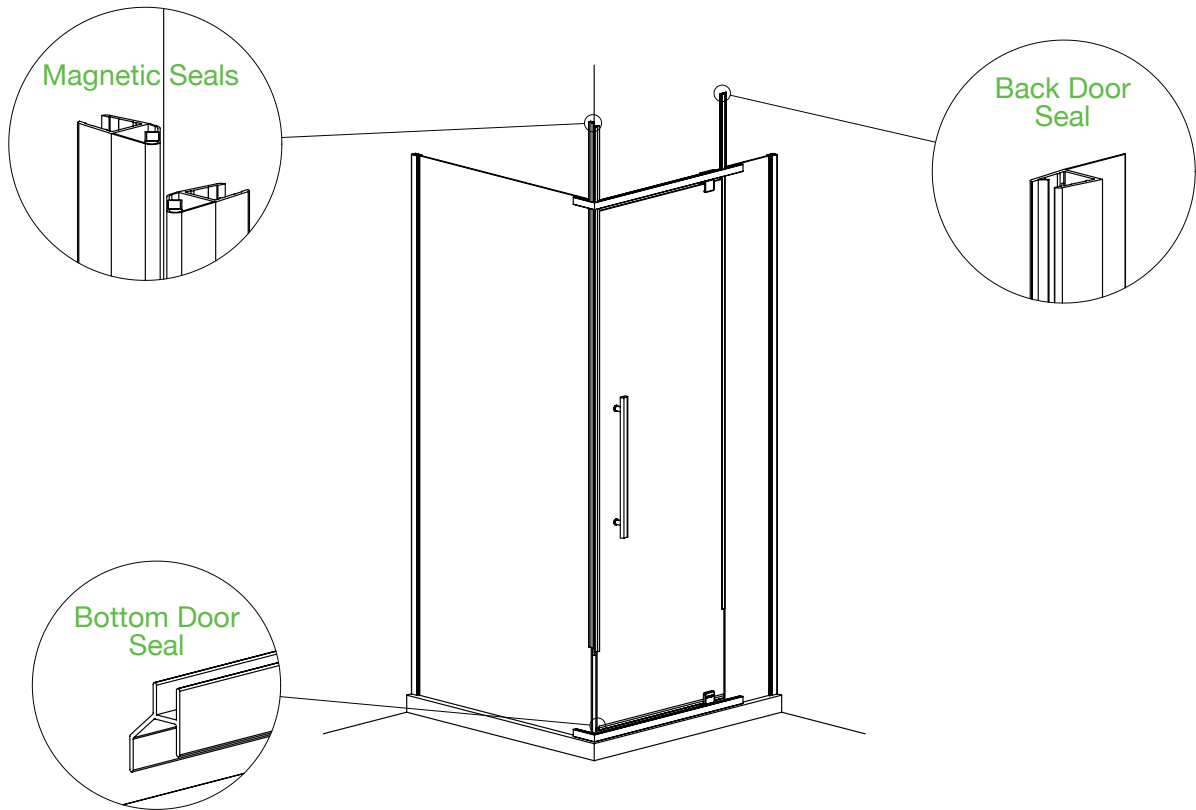
- Fit door handle.
- Pivots clamps are on door (the nuts of pivot clamps must face outside as the pivot is offset).
- Fit bottom pivot block on bottom chrome bar.
- Fitting of door: Attach pivot clamp into pivot block on bottom chrome bar.
- Assemble top pivot block onto pivot clamp and fasten block to top chrome bar.



2-SIDED DETAILED INSTALL STEPS 1 TO 7 (REFERENCE ALSO FOR 3-SIDED AND NEO ANGLE)

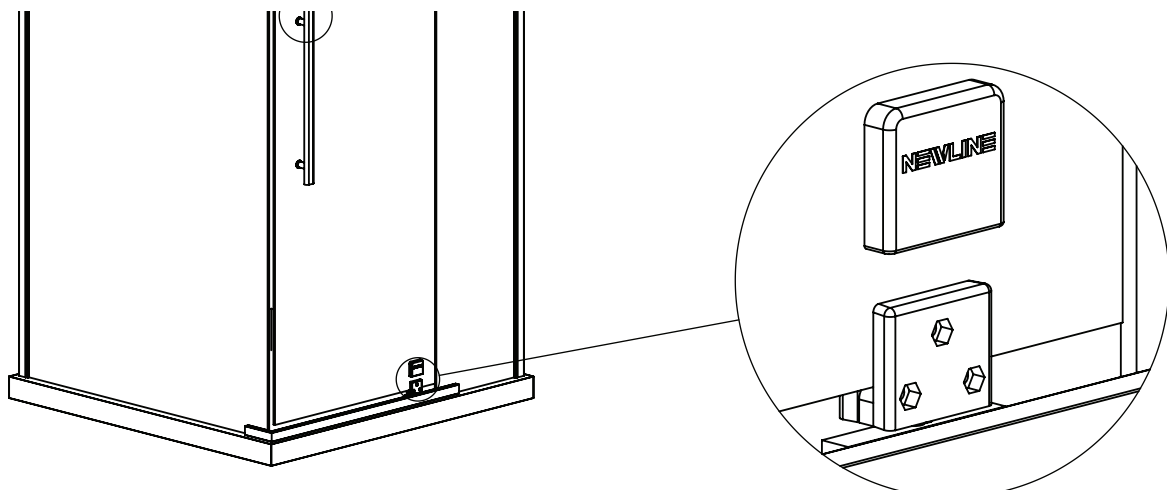
STEP 3: TRIM AND FIT DOOR SEALS

- Bottom door seal: Trim around pivot and stop each side of door glass edge.
- Door magnetic seal: Finish just clear of chrome bar (trim flanges to fit).
- Return magnetic seal: Stop clear of tray.
- Vertical back of door seal: Finish below door seal - trim flanges to fit.



STEP 4: FINALISE DOOR ADJUSTMENT

- Close the door slowly. Adjust the pivot block at mounting to align magnetic seal and suitable gaps on pivot side.
- Check all clamps and pivots fastenings are tight.
- Slide chrome covers over glass clamps.



2-SIDED DETAILED INSTALL STEPS 1 TO 7 (REFERENCE ALSO FOR 3-SIDED AND NEO ANGLE)

STEP 5: SILICONE SEALING

- Bottom seal the outside boundary as indicated lines.
- Leave for a minimum of 24 hours prior to use.

