

2-SIDED & 3-SIDED ALCOVE

CODES: G9663

Important!

1. When you receive your Ravello shower check contents for any freight damage or defect.
2. Advise Newline on 0508 639 5463 if any damage has occurred within 8 hours of receiving the goods so this can be rectified.
3. Do not proceed with installation until resolved as there cannot be a valid claim later.

IMPORTANT INFORMATION

WARRANTY

- Faulty goods are covered under warranty. Visit www.newline.nz for warranty information.
- Breakages incurred during installation are not covered under warranty.
- Installations must conform to the instructions to be covered by the warranty.

HEALTH AND SAFETY

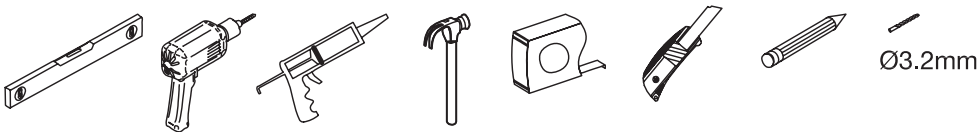
Toughened Glass:

- Do not rework pre-cut glass panels. Cutting or altering a glass panel will cause it to explode without warning.
- Unpack all glass assemblies. Stand glass on soft packaging when it is on the floor and against a wall. Care must be taken not to strike any edge or corner against a hard surface as this will chip and destroy the glass panel.

Installation:

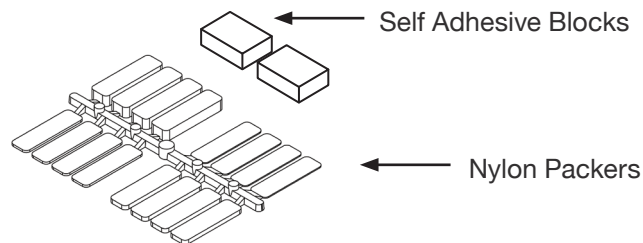
- Glass panels and assemblies are heavy. Two man lifting is recommended for handling and installation.
- Determine positioning of wiring and piping within wall cavities before shower installation. Mark their positions to ensure electrical and piping areas are avoided.
- Wear appropriate protective clothing and eye protection during installation.

TOOLS REQUIRED



SUPPLIED MATERIALS

- NG Silicone (Acrylic)
- Bostik V60 (Tile)
- Self Adhesive Blocks
- Nylon Packers



AFTERCARE

- The shower must be squeegeed down after each shower. Thoroughly clean weekly with a microfiber cloth, mild detergent and water. Rinse with clean water and squeegee and wiped dry.

NEWLINE RECOMMENDS A SKILLED TRADESMAN ACQUAINTED WITH SHOWER INSTALLATIONS TO ENSURE THE VERY BEST OUTCOME.

PREPARATION CHECKLIST

ENSURE YOU TICK THE SPECIFIC BOXES THAT APPLY AS YOU PROGRESS

- Floor & Walls:** Floor must level with no deflection and walls plumb and flat.
- Ensure tray is level. IMPORTANT!** The door rail needs slight fall to close and will be easily attainable if level.
- Tray and Liner:** Instructions for Tile trays or Acrylic Trays & Liner are supplied with the specific tray ordered.
- Frame:**
 1. **Wall Profile Options**
 - Acrylic Tray:** Centred 20mm off outside of tray edge
 - Hob Tile Tray:** Centred 45mm off finished tile edge (this will allow 32mm off tray before tiling)
 - Level Entry:** Centred at the transition line (where slope begins)
 2. **Solid fixing for Wall Rail Bracket**

A 2-Sided is only on the door side adjacent to wall and a 3-sided Alcove is both walls.

Attach a 300mm vertical length of framing on the inside of the wall profile stud starting at the lowest point of 1780mm off the floor to 2080mm at the top.
 3. **Solid fixings for Wall Mounted Plumbing Fittings**

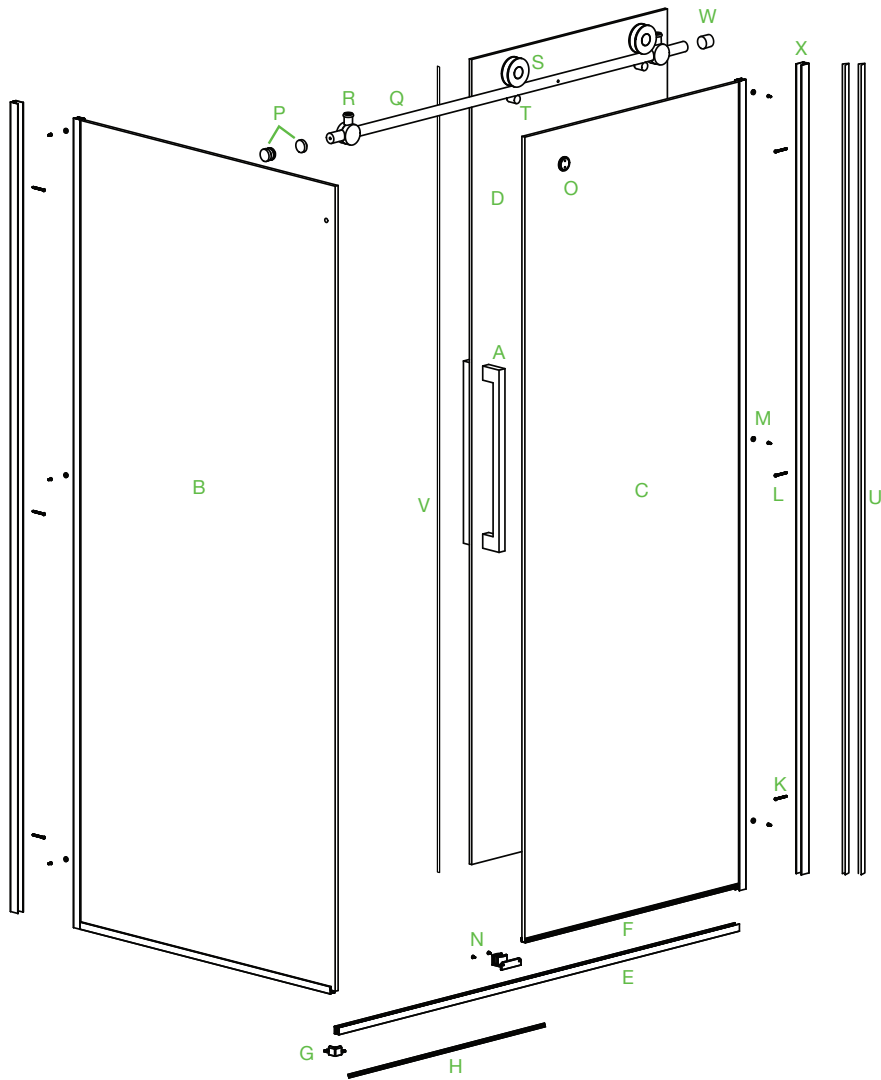
Consult with the plumber.
- Wet Grade Lining:** Aqualine Gib. or equivalent “must be used behind all shower installations for compliance”
- Plumbing:** All plumbing fittings/connections must be completed by a registered plumber.
- Waterproofing “ProFinish Tile Trays”:** This must comply with AS/NZS 4858:2004 and be undertaken by certified applicator and a Producer Statement provided. There is a list of proven systems on our website www.newline.co.nz
- Tiling:**
 1. A complete system must be used. i.e. Waterproofing - Tile Adhesive - Grouting - Silicone. This is for full accountability and performance requirements.
 2. Tiles must conform to gradients of the “ProFinish Tile Tray”. *Compliance to NZ Building Code.*
 3. There must be isolation of the shower enclosure from moisture migration under the tiles. This must align with AS374 standard using a “Water Stop”.
 4. The tile base where the shower is positioned must be level for a satisfactory installation.

INDEX

- Page 4** Exploded View Diagram & Component List for Part Numbers - 2-Sided Chrome + Black
- Page 5** Exploded View Diagram & Component List for Part Numbers - 3-Sided Alcove Chrome + Black
- Page 6** Step 1 Layout Pages - Acrylic 2-Sided
- Page 7** Step 1 Layout Pages - Tile 2-Sided
- Page 8** Step 1 Layout Pages - Tile 3-Sided Alcove
- Page 9** Step 2 Assembly of Fixed Front Glass to Floor Profile
- Page 10** Steps 3 to 7

EXPLODED VIEW DIAGRAM & COMPONENT LIST 2-SIDED CHROME + BLACK

EXPLODED VIEW

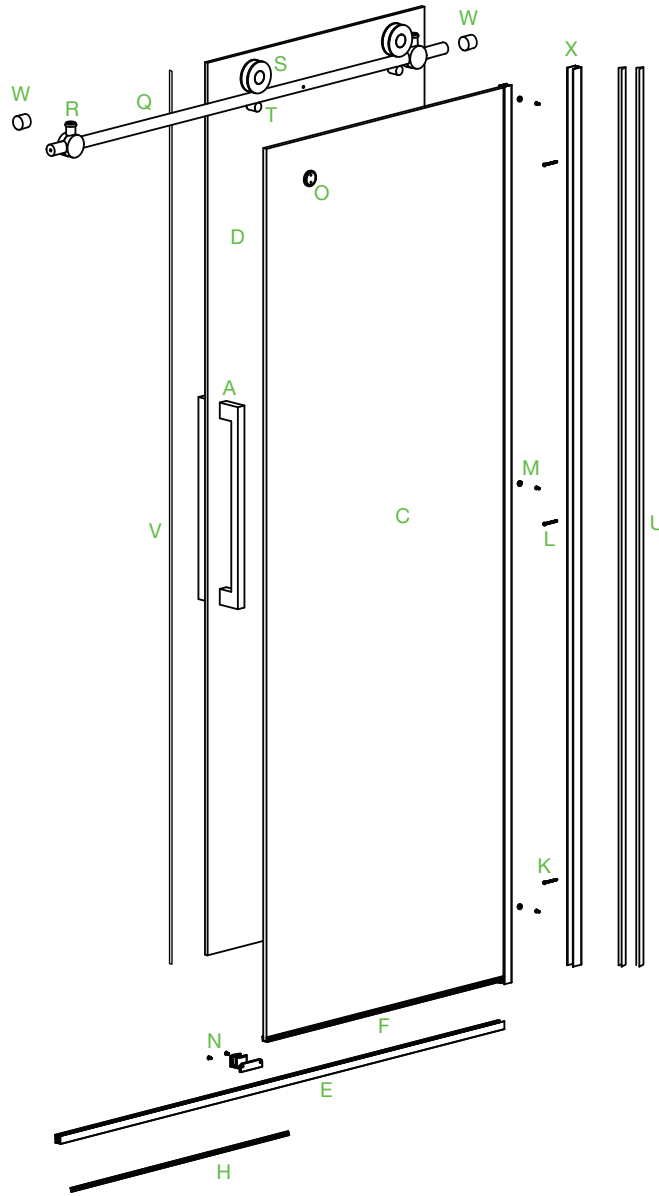


COMPONENT LIST - CHROME + BLACK

CODE	PART	CHROME	BLACK	QTY	CODE	PART	CHROME	BLACK	QTY	CODE	PART	CHROME	BLACK	QTY
A	Door Handle	H5542	H5504	1	I				1	Q	Top Door Rail			1
B	Return			1	J	Wall Plugs	F4163	F4230	6	R	Door Stops	H5634	H5641	2
C	Fixed Front Panel			1	K	6 Gauge x			7	S	Door Rollers	H5658	H5665	2
D	Door Panel	E3845	E3845	1	L	6 Gauge x			7	T	Door Lock Knobs	H5610	H5627	2
E	Floor Profile Door Set			1	M	Screw Cover Caps			7	U	Deflector Seals	I6112	I6112	2
F	Floor Profile Seal			1	N	Lower Door Guide	H5252	H9953	1	V	Buffer Seal	I6105	I6105	1
G	Floor Profile Corner Clip Set	H6294	H6300	2	O	Fixed Glass Rail Bracket	H7239	H7246	2	W	Rail Mount (Wall End)	H7253	H7260	1
H	Profile Cover Strip	A1542	A1573	1	P	Rail End Cap			1	X	Wall Profiles	A6751	A6799	2

EXPLODED VIEW DIAGRAM & COMPONENT LIST 3-SIDED CHROME + BLACK

EXPLODED VIEW



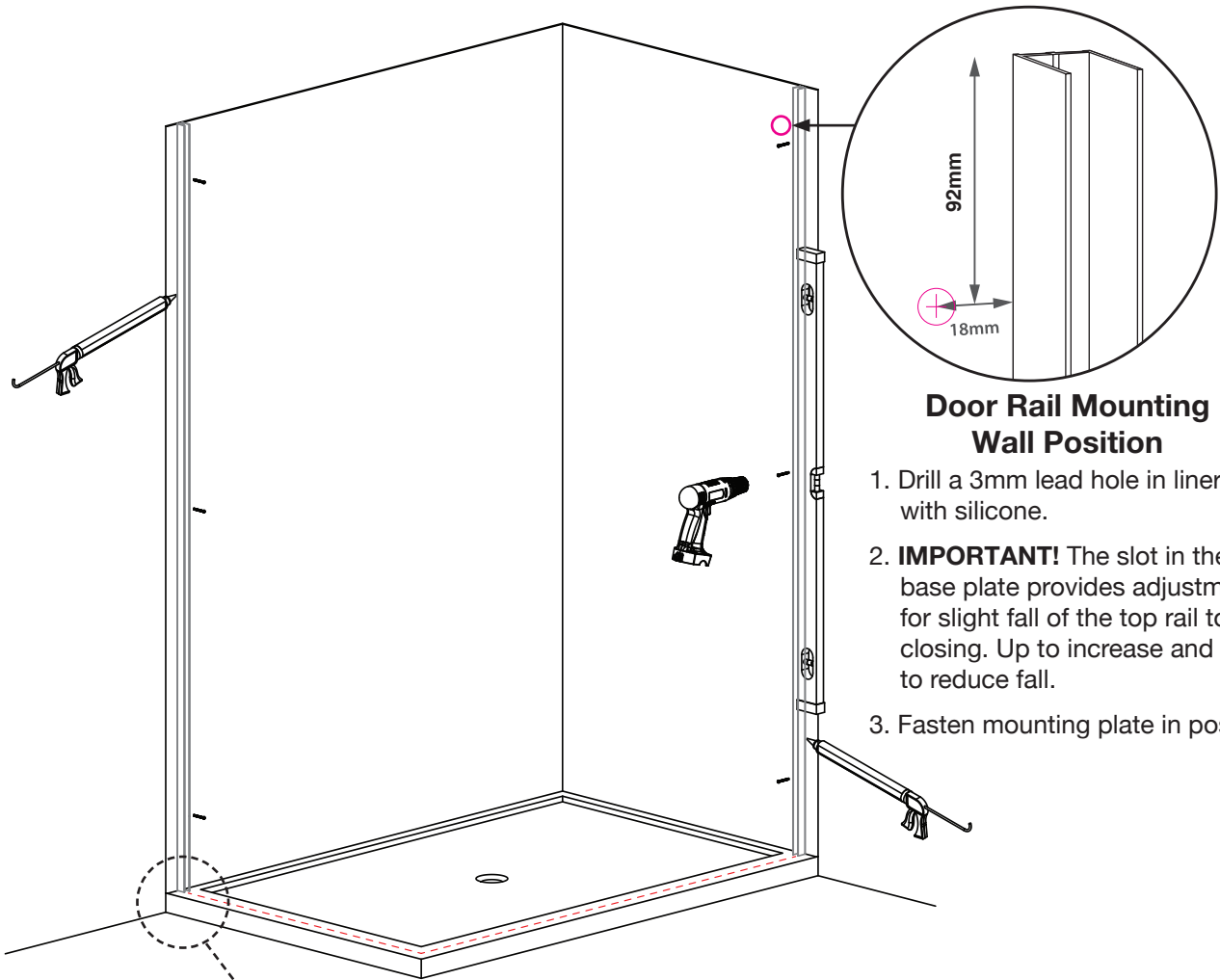
COMPONENT LIST - CHROME + BLACK

CODE	PART	CHROME	BLACK	QTY	CODE	PART	CHROME	BLACK	QTY	CODE	PART	CHROME	BLACK	QTY
A	Door Handle	H5542	H5504	1	I				1	Q	Top Door Rail			1
					J	Wall Plugs x 4	F4163	F4230	6	R	Door Stops	H5634	H5641	2
C	Fixed Front Panel			1	K	6 Gauge x Drive			7	S	Door Rollers	H5658	H5665	2
D	Door Panel	E3845	E3845	1	L	6 Gauge x Drive			7	T	Door Lock Knobs	H5610	H5627	2
E	Floor Profile Door Set			1	M				7	U	Deflector Seals	I6112	I6112	2
F	Floor Profile				N	Lower Door Guide Set	H5252	H9953	1	V	Buffer Seal	I6105	I6105	1
G					O	Fixed Glass Rail Bracket	H7239	H7246	2	W	Rail Mount (Wall End)	H7253	H7260	1
H										X	Wall Profiles	A6751	A6799	2

INSTALLATION ACRYLIC 2-SIDED LAYOUT

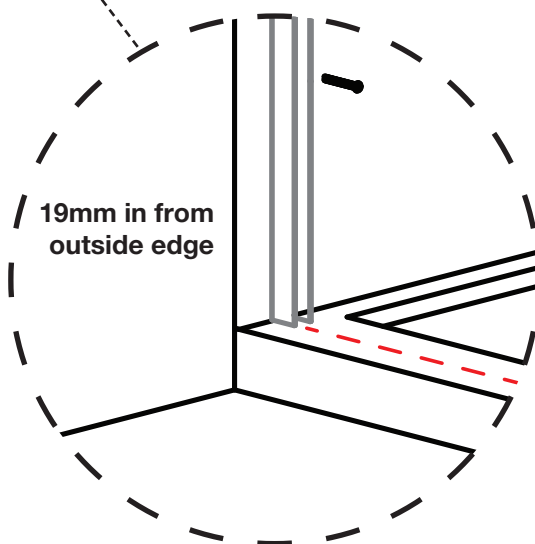
STEP 1 ACRYLIC

- Mark the two wall profiles 19mm back from the outside edge of the tray.
- Use the minimum to maximum table to check this lay-out and adjust if required .
- Predrill the wall profiles, align to wall markings and drill a 2mm lead hole in the liner.
- Silicone the back of wall profile and screw in place.
- All details of component assembly can be followed from **Step 2, Page 9**.



Door Rail Mounting Wall Position

1. Drill a 3mm lead hole in liner fill with silicone.
2. **IMPORTANT!** The slot in the base plate provides adjustment for slight fall of the top rail to closing. Up to increase and down to reduce fall.
3. Fasten mounting plate in position.



19mm in from outside edge

Minimum to Maximum	
Door	Return
1160 to 1172mm	879 to 891mm

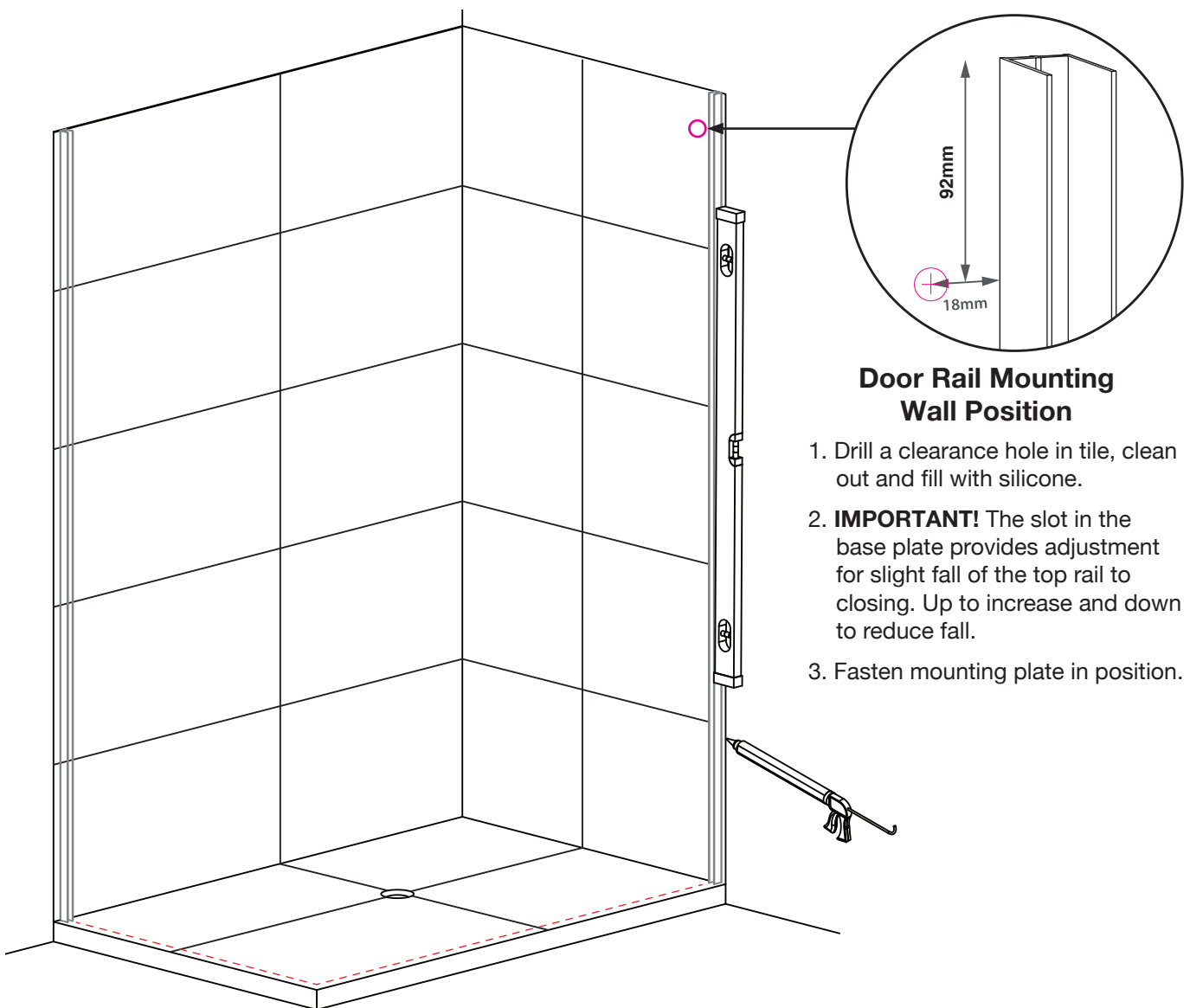
INSTALLATION TILE 2-SIDED LAYOUT

STEP 1 TILE

- Identify your installation measurement from the table below. Mark outside line of wall profiles. The base profiles being 2mm inside this (dotted lines).
- Bond wall profiles as outlined in the “Penetration of Waterproofing” below.
- Component assembly follows from **Step 2, Page 9**.

PENETRATION OF WATERPROOFING UNDER TILES

Waterproofing warranties are potentially void with penetrations of membrane. Bond wall profiles with Bostik V60. Minimum curing 24 hours (2mm to 3mm). Curing is by atmospheric moisture absorption (approx. 7mm in 7 days).



Door Rail Mounting Wall Position

1. Drill a clearance hole in tile, clean out and fill with silicone.
2. **IMPORTANT!** The slot in the base plate provides adjustment for slight fall of the top rail to closing. Up to increase and down to reduce fall.
3. Fasten mounting plate in position.

MINIMUM TO MAXIMUM TABLE - WALL TO OUTSIDE OF WALL CHANNEL

ProFinish Tray Size (Before Tiling)	Door Set	Return Panel
1200x915	1160 to 1172	879 to 891
1200x1000	1160 to 1172	964 to 976

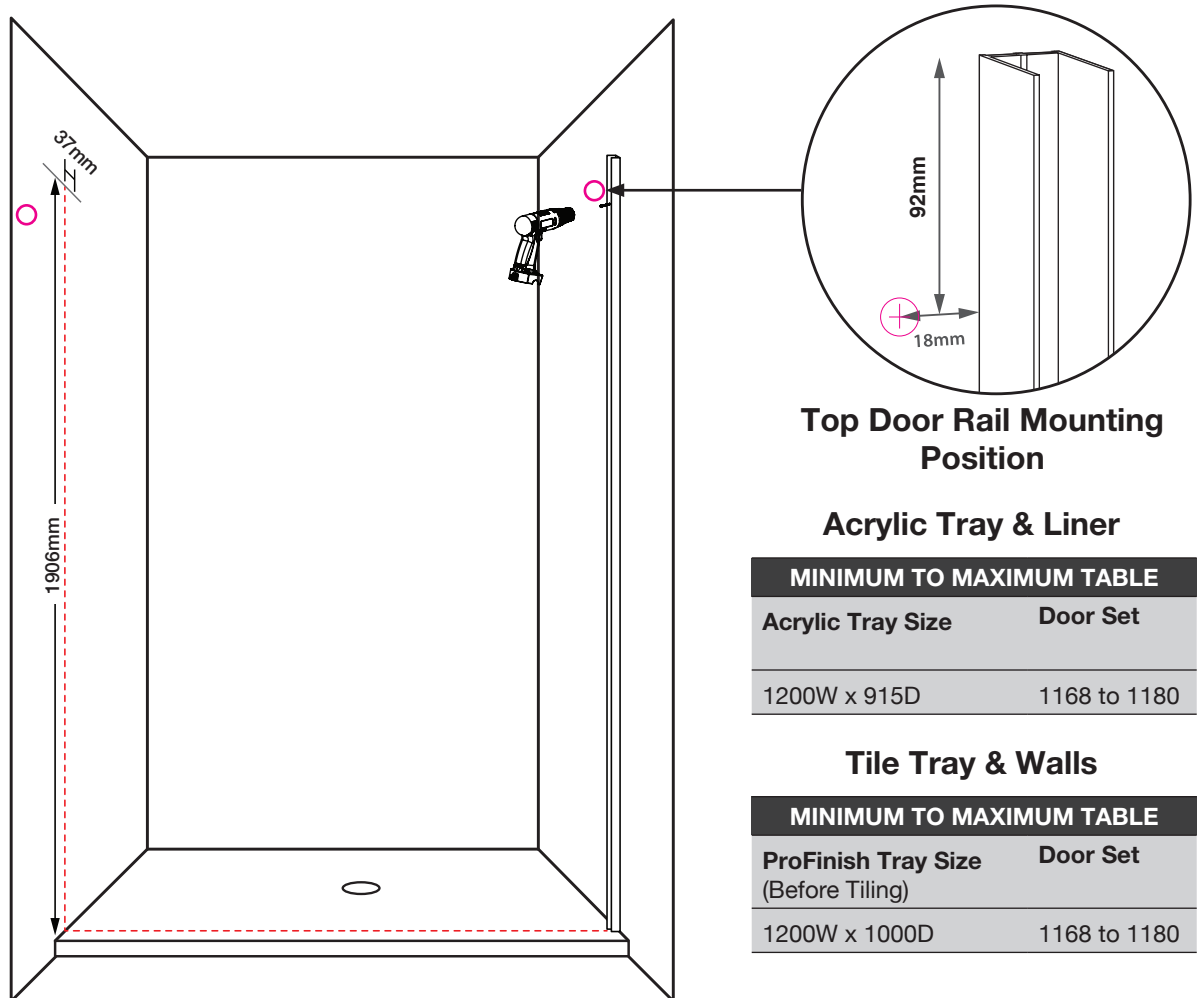
INSTALLATION 3-SIDED ALCOVE LAYOUT

This Diagram covers Acrylic and Tile installations and guidance.

- **Acrylic Tray:** Positioning the wall profile 20mm off edge of the tray.
- **Tile Tray Level Entry:** Locate at transition centreline where the slope starts.
- **Tray with Hob:** Position the boundary line 35mm back from outside of finished hob.

PENETRATION OF WATERPROOFING UNDER TILES

Waterproofing warranties are potentially void with penetrations of membrane. Bond wall profiles with Bostik V60. Minimum curing 24 hours (2mm to 3mm). Curing is by atmospheric moisture absorption (approx. 7mm in 7 days).



All other installation steps can be now be followed in the instruction steps eliminating the return panel details.

Steps below are distinct to 3-Sided Alcove applications:

Steps run in Conjunction with the 2-Sided instructions.

1. Mark outer boundary line (dotted) across the base and up each wall and the positioning of top rail mounting base plates on both walls as diagram.
2. Fit wall profile to boundary line (fixed glass side only). Fasten as acrylic or tile details on page 6 or 7.
3. Door Rail Mounting: Refer to page 6 for acrylic and page 7 for tile details. **IMPORTANT!** In the 3-sided alcove adjustment of rail height requires a slight fall to door shut position.
4. Assemble the rail with stops and rail mount tubes both sides. Attach mounting tubes to base plates on wall. Don't fully tighten allen screws onto rail until step 8.
5. Place the fixed glass in wall channel.
6. Line up fixed glass hole to rail and and install bracket.
7. Plumb up the glass, fit to wall profile and screw in place.
8. Finally tighten up the allen key screws in mounting tubes to lock the top rail in place.

These are condensed steps. All other installation steps can now be followed in the instructions eliminating the return panel details.

STEP 2

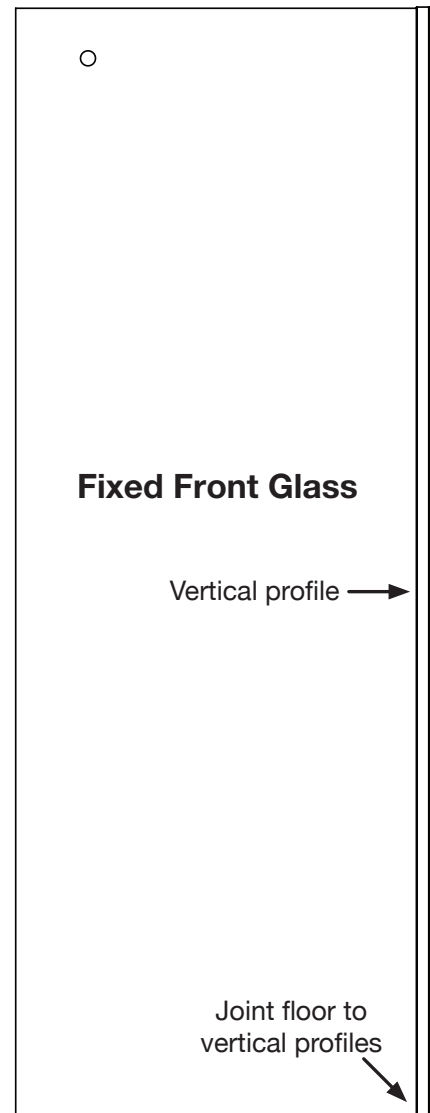
The fixed glass requires the floor profile with knock-on seal attached.

Find the three components as drawing

1. Fixed front glass
2. Knock-on seal
3. Floor profile

Assembly Steps:

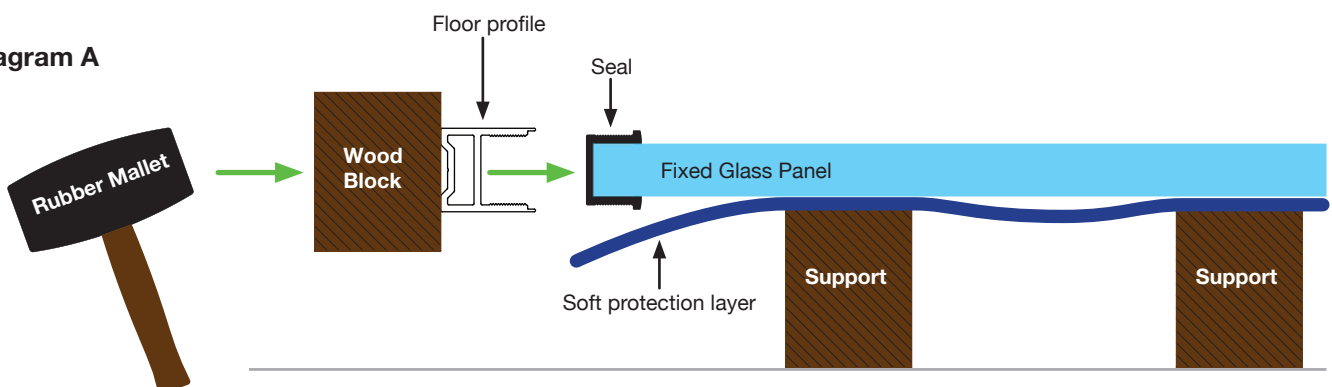
- Place fixed glass onto suitable support with protection layer as Diagram A.
- Trim the “Knock-on Seal” to length, apply small bead of NG silicone to leading end and position on glass and join to vertical profile.
- Ensure there is also a small amount of silicone at joint to seal behind profile in next step.
- Place the floor profile onto seal and push in place making sure, it is tight against the vertical profile.
- Firmly knock on the floor profile using a short length of wood working across until fully seated.
- Finish by placing two small beads of silicone underneath each side of profile joint. Clean up excess silicone.



Knock-on Seal

Floor Profile

Diagram A



INSTALLATION TILE & ACRYLIC

STEP 3

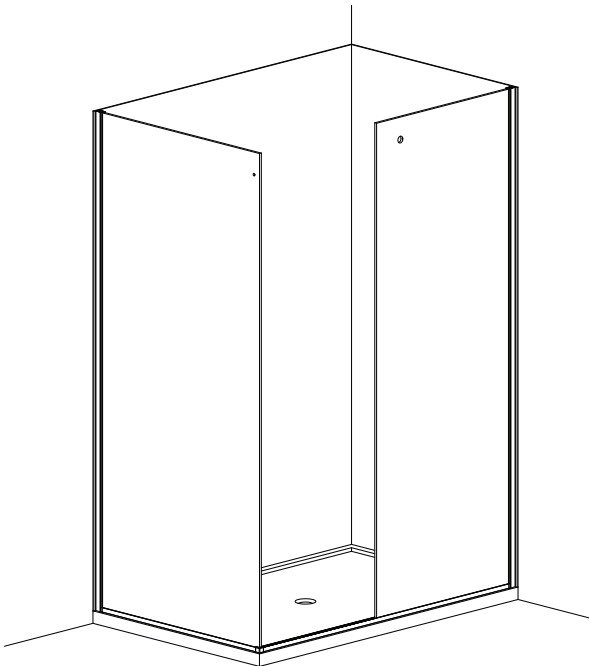
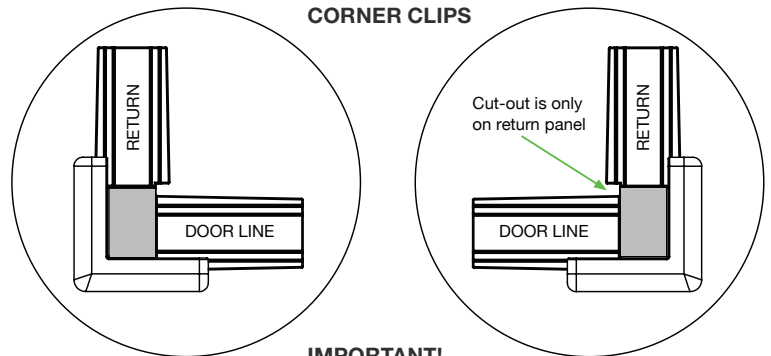


Diagram C1



CORNER CLIPS

IMPORTANT!

Be sure you select the right clip for your corner. Of the two options provided only one will work.

Diagram C2 Corner Clip

CAUTION:

Fit return glass and fixed front glass progressively into the wall profiles. *Horizontal scratches will show on the glass profile if fitting requires shifting out.*

- Assemble both fixed glass panels and install corner clip to bottom rail.
- Align to wall profiles and tray edge.
- Tape position of inside and out of corner.
- Lift corner, support with 5mm packer, apply silicone under floor profiles at corner.
- Lower to tape position, clean excess silicone, remove tape and hold with self-adhesive blocks.

STEP 4

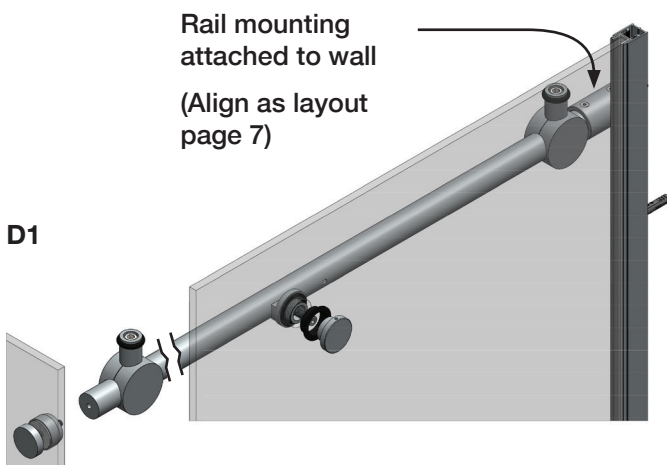
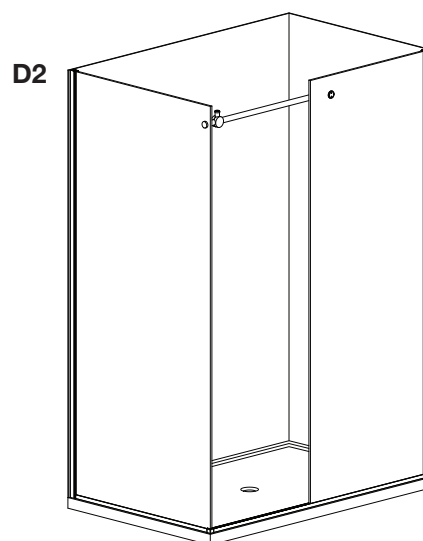


Diagram D1



- Assemble the door top rail complete with stops each end and wall mount tube.
- Mounting top rail to return panel, fixed front panel and wall mounting.
- **IMPORTANT!** Check the rail has a slight fall down towards the outside of door. D2 (there is adjustment in the base plate slot of the rail mounting).

INSTALLATION TILE & ACRYLIC

STEP 5

Diagram E

- **Note:** Rubber insert in the guide must be removed and turned to 8mm glass adjustment. Insert tightly back in place.
- Secure door guide to floor profile.
- **Caution:** The screw closest to the glass needs a 5mm clearance.

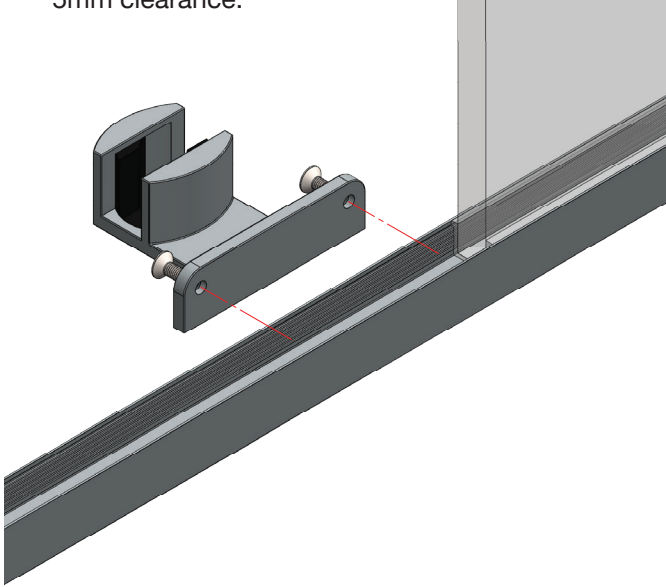


Diagram G

- Rotate cam door adjustment from inside (take weight of door when adjusting).

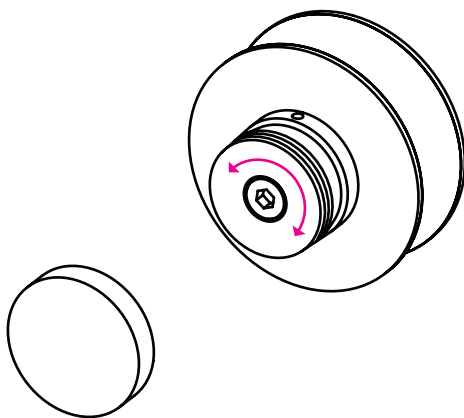
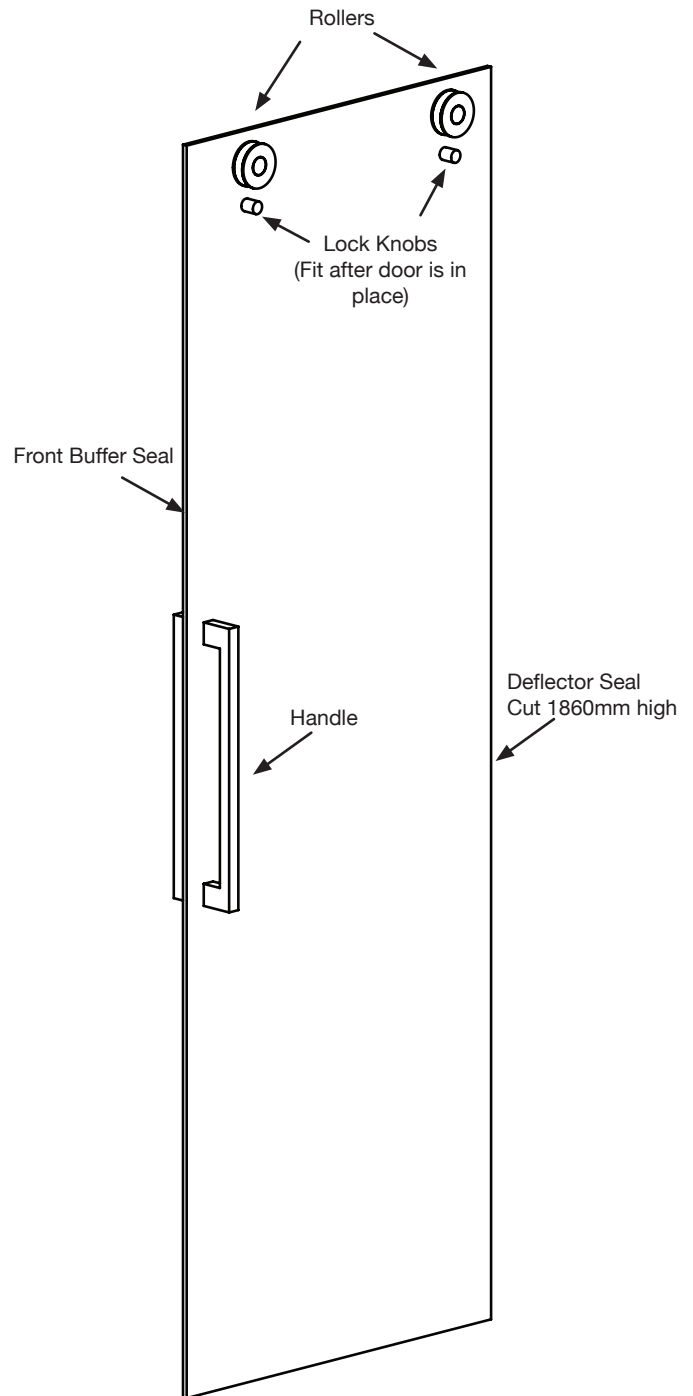


Diagram F

- Assembly all parts to door.
- Fit door on top rail and into lower guide.
- Adjust cams to height and alignment.
- Fit lock knobs to door panel.



PLEASE NOTE:

If the door line is not parallel to the tray the wall mounted rail bracket can offer some adjustment in or out to correct this.

INSTALLATION TILE & ACRYLIC

STEP 6

Diagram H

- Fasten the shower to wall profiles with three 3.5 x 12mm screws and check all fittings are tight (Diagram H).
- Adjust door stops. Ensure the door has a clearance of 25mm at wall and closing to return glass is also restrained by stop (Diagram I).

Diagram H

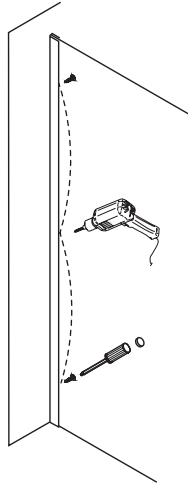
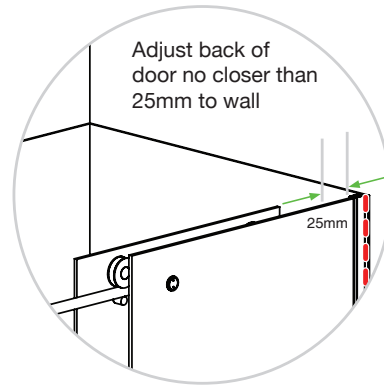


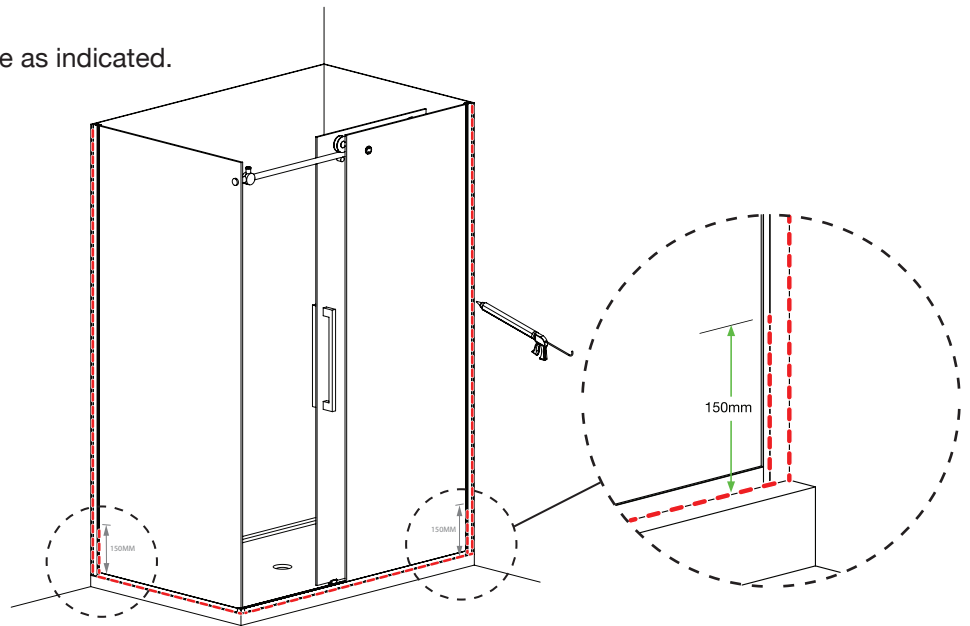
Diagram I



STEP 7

Diagram J

- Apply silicone seal to dotted line as indicated.
- Leave for 24 Hrs to cure.



CONTACT

NEWLINE
for a lifetime!

Freephone: 0508 639 5463

Phone: 09 444 2053

Email: info@newline.co.nz

www.newline.co.nz