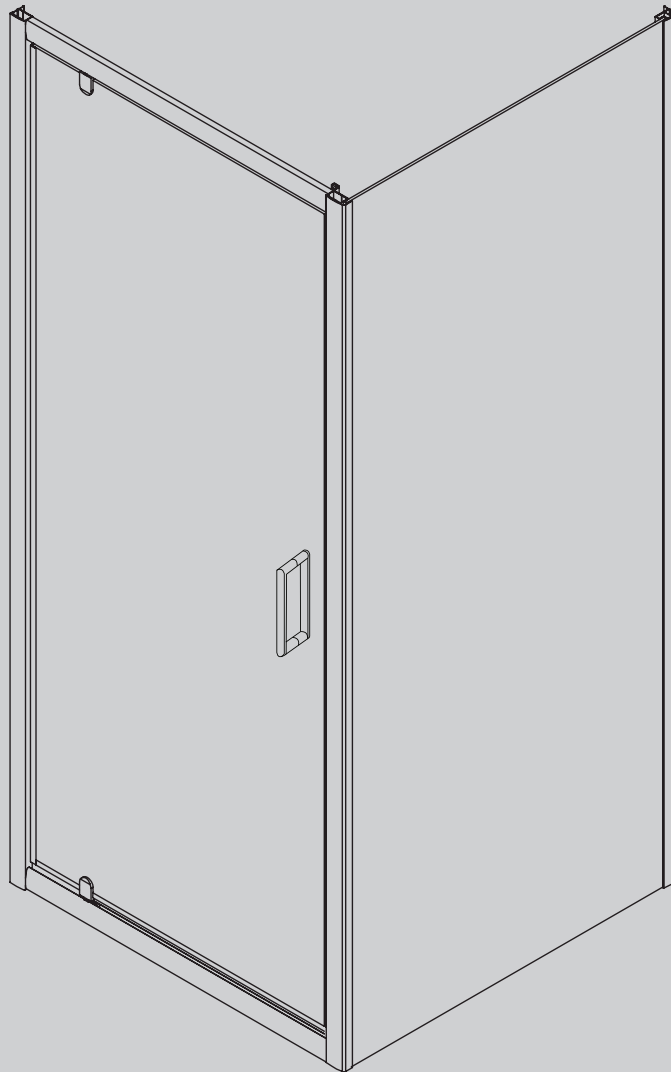


INCLUDES: 2-SIDED SHOWERS AND 3-SIDED ALCOVE DOORS



Important!

1. When you receive your Newline shower check contents for any freight damage.
2. Advise Newline on 0508 639 5463 if any damage has occurred or a defect identified within 8 hours of receiving the goods so this can be rectified.
3. Do not proceed with installation until resolved.

PIVOT DOOR SETS 2-SIDED & ALCOVE APPLICATIONS

WARRANTY

Faulty goods are covered under warranty. Visit www.newline.co.nz for warranty information.

Breakages incurred during construction are not covered under warranty.

Installations must conform to the instructions to be covered by the warranty.

INSTRUCTIONS

Tray and liner instructions: Come with the specific tray supplied

Shower waste and supply fittings: Must be installed by a registered plumber.

HEALTH AND SAFETY

Toughened Glass:

- Do not rework precut glass panels. Cutting or altering a glass panel will cause it to explode without warning.
- Unpack all glass assemblies. Stand glass on soft packaging on the floor and against a wall. Care must be taken not to strike any edge or corner against a hard surface as this will chip and destroy the glass panel.

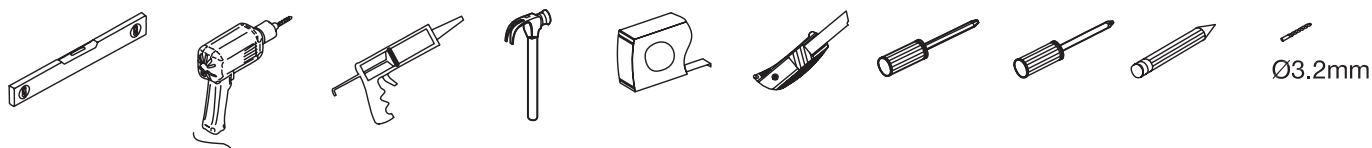
Installation:

- Glass panels and assemblies are heavy. Two man lifting is recommend for handling and installation.
- Determine positioning of wiring and piping within wall cavities before shower installation. Mark their positions to ensure electrical and piping areas are avoided.
- Wear appropriate protective clothing and eye protection during installation.

MATERIALS REQUIRED

Sika Silaflex NG translucent silicone.

TOOLS REQUIRED



AFTERCARE

The shower must be squeegeed down after each shower. Thoroughly clean weekly with a microfiber cloth, mild detergent and water. Rinse with clean water and squeegee and wiped dry.

NOTE: ACRYLIC TRAY & LINER - Detailed Instructions for both are packed with shower tray.

INDEX

Page 3	Prep and layout tables for all pivot doors
Page 4 - 7	2-Sided shower
Page 8 - 12	3-Sided Alcove shower

NEWLINE RECOMMENDS A SKILLED TRADESMAN ACQUAINTED WITH SHOWER INSTALLATIONS TO ENSURE THE VERY BEST OUTCOME.

PREPARATION CHECKLIST

- 2-Sided Shower: Ensure the floor is level and the walls are plumb and flat.
- Position all framing for solid fixing for the shower tray, shower and plumbing fittings. Wall profiles require a stud centred 20mm back from tray outside edge.
- Ensure all plumbing items have been installed prior to the lining being attached.
- Alcove Shower: The shower tray must be a firm fit to the framing prior securing the walls. Floors must be level and flat. Walls also must also be plumb and flat. Two walls multiply errors and limit the potential to fit the acrylic liner and shower screen.

BEFORE YOU START: READ NOTES OF TABLE A & B LAYOUTS

Check TABLE A for layout of 2-Sided shower

- Identify the size of shower you are working with.
- The door set has shared adjustment points: Wall and corner post positions.
- **Walls bowed or leaning inwards:** Check adjustment available and use Min to Max Table B if your case requires this.

Note: 3-Sided shower table is on page 9.

TABLE A: LOW PROFILE TRAY 40mm High

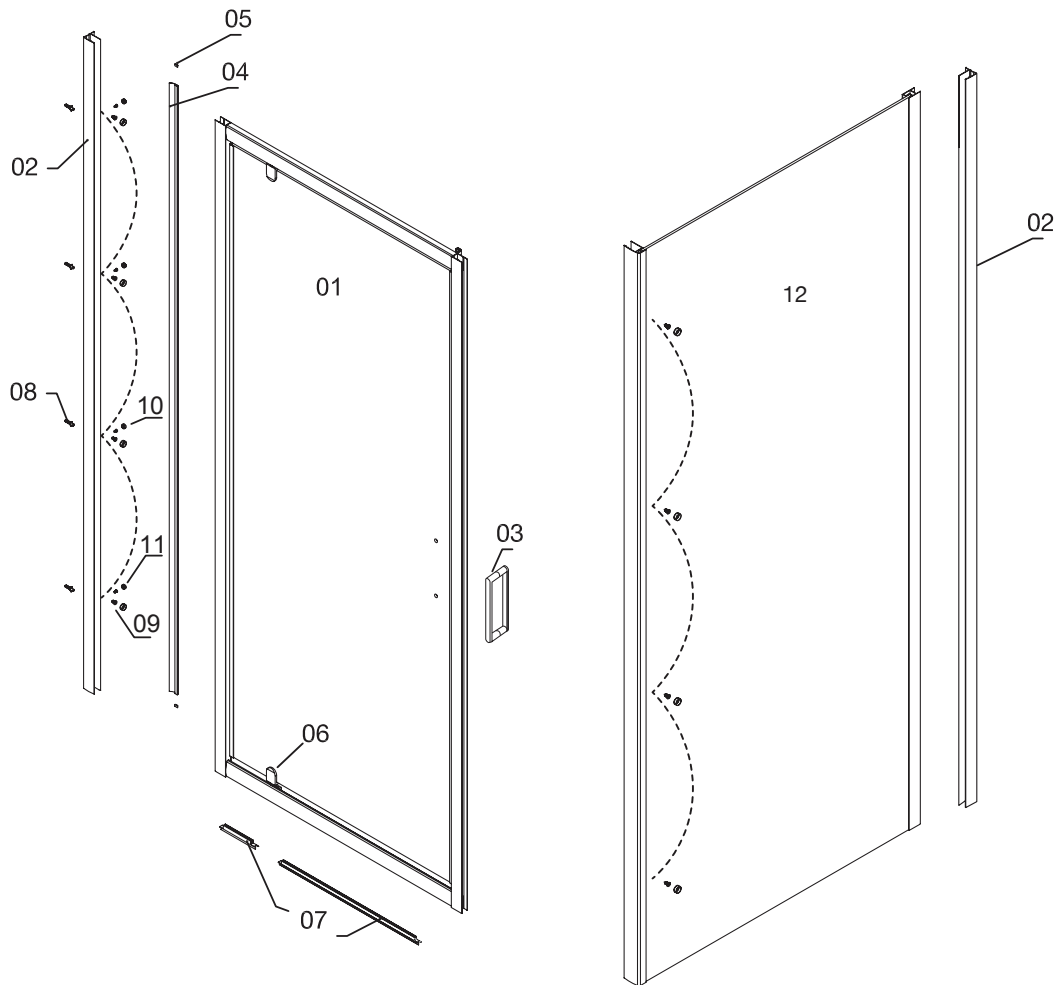
	DOOR SET TRAY SIZE	CORNER POST ADJUSTMENT	WALL ADJUSTMENT	RETURN PANEL TRAY SIZE	WALL ADJUSTMENT	TRAY EDGE TO WALL CHANNEL
1	750mm	0	2	915mm	17	15mm
2	820mm	5	10	820mm	4	13mm
3	915mm	6	13	750mm	4	13mm
4	915mm	0	11	915mm	11	21mm
5	1000mm	0	4	1000mm	4	13mm
6	1200mm	0	2	915mm*	12	20mm

TABLE B: MIN TO MAX PIVOT SHOWER RANGE (LH column number ties up to Table A)

	DOOR & RETURN	DOOR SET	RETURN PANEL
1	750mm x 900mm	Min 720mm – Max 740mm	Min 870mm – Max 888mm
2	820mm x 820mm	Min 778mm – Max 794mm	Min 790mm – Max 805mm
3	900mm x 750mm	Min 870mm – Max 890mm	Min 720mm – Max 738mm
4	900mm x 900mm	Min 870mm – Max 890mm	Min 870mm – Max 888mm
5	1000mm x 1000mm	Min 970mm – Max 990mm	Min 970mm – Max 988mm
6	1200mm x 900mm	Min 1165mm – Max 1185mm	Min 870mm – Max 888mm

Walls out of plumb will not allow for full Max/Min options.

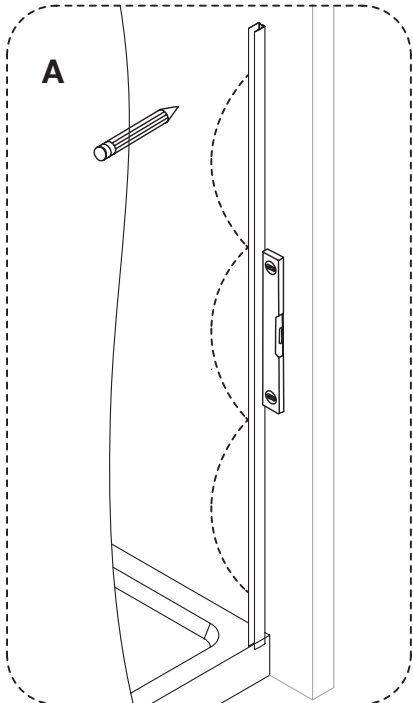
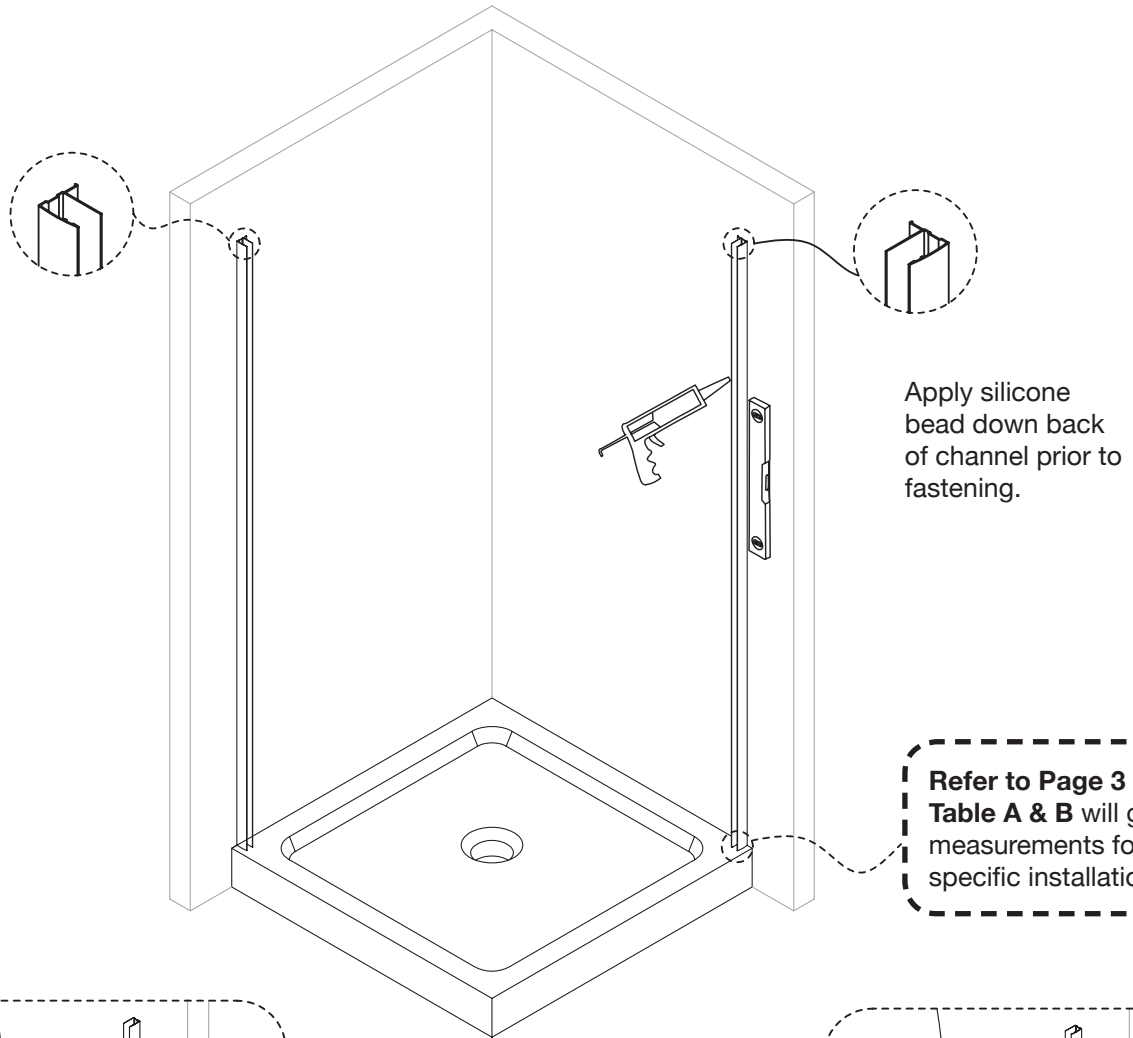
PIVOT 2-SIDED SHOWER



COMPONENT LIST

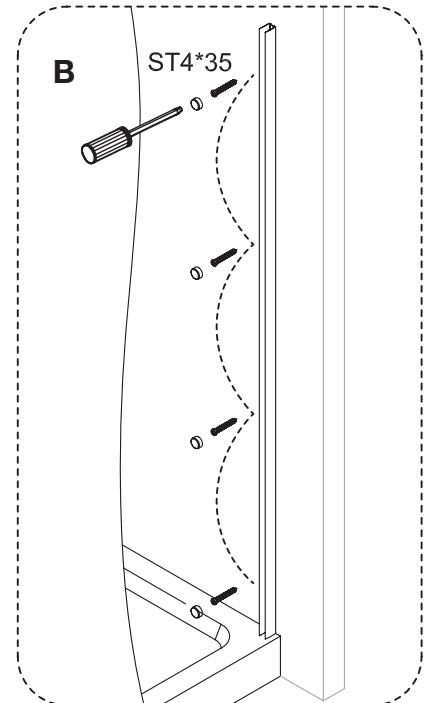
<p>All doors except 1200</p>	<p>Wall Channel K7119</p>	<p>Handle</p>	<p>Back Door Seal K7072</p>	<p>Back Door Seal Stop K4000</p>	<p>Pivot Block K2004</p>
	<p>02 2 PCS</p>	<p>03 1 PCS</p>	<p>04 1 PCS</p>	<p>05 2 PCS</p>	<p>06 2 PCS</p>
<p>Lower door seals K6808</p>	<p>Replacement Screw Pack - 2 & 3-Sided Chrome & White K2271</p>				
	<p>07 2 PCS</p>	<p>Wall Plug (Concrete)</p> <p>Ø6*30</p> <p>08 8 PCS</p>	<p>4x35mm Screws</p> <p>ST4*35</p> <p>09 8 PCS</p>	<p>Screw Caps</p> <p>10 20 PCS</p>	<p>4x10mm screws</p> <p>ST4*10</p> <p>11 12 PCS</p>
<p>Return Panel</p> <p>12 1 PCS</p>	<p>1200 Door</p> <p>12 1 PCS</p>				

1



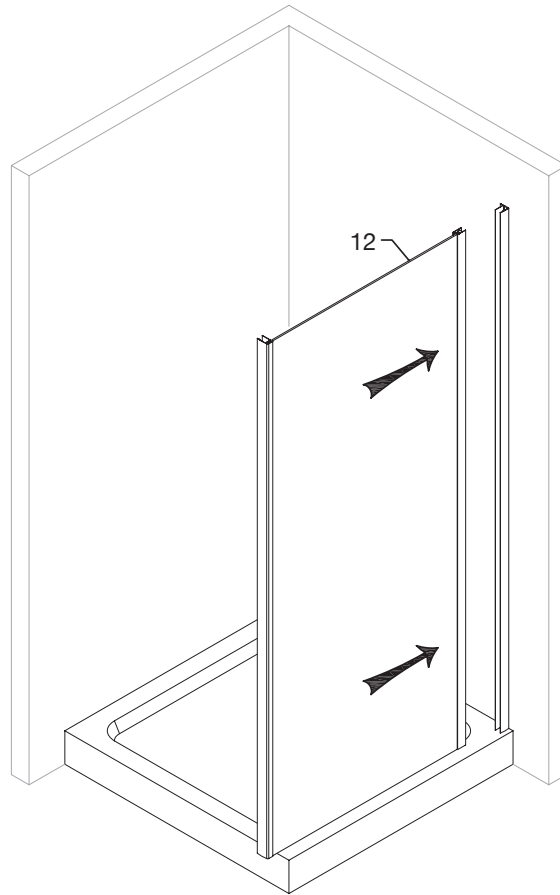
Mark wall profile.

Acrylic Shower Layout
Ensure you read
"BEFORE YOU START"
section on page 3.



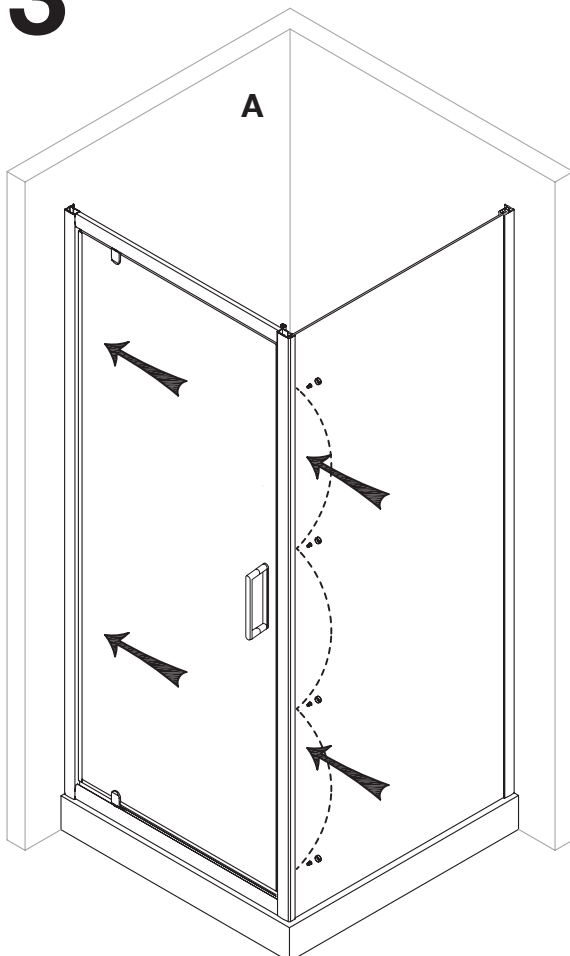
Fasten wall profiles for return and door panels.

2



Fit return panel.

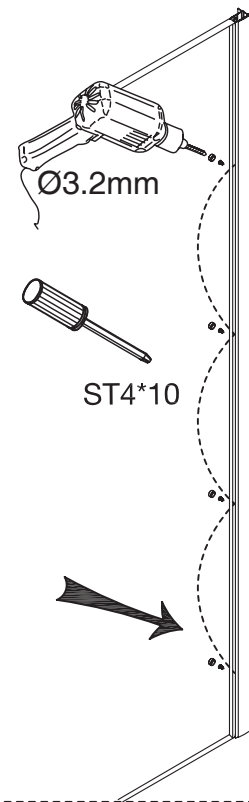
3



A

- Connect door set to return panel.
- **NOTE:** Table on page 3 will show suggested corner post position for your specific shower install.
- Fasten this join parallel at corner.
- Corner post must be plumb for alignment of magnetic seal.

B

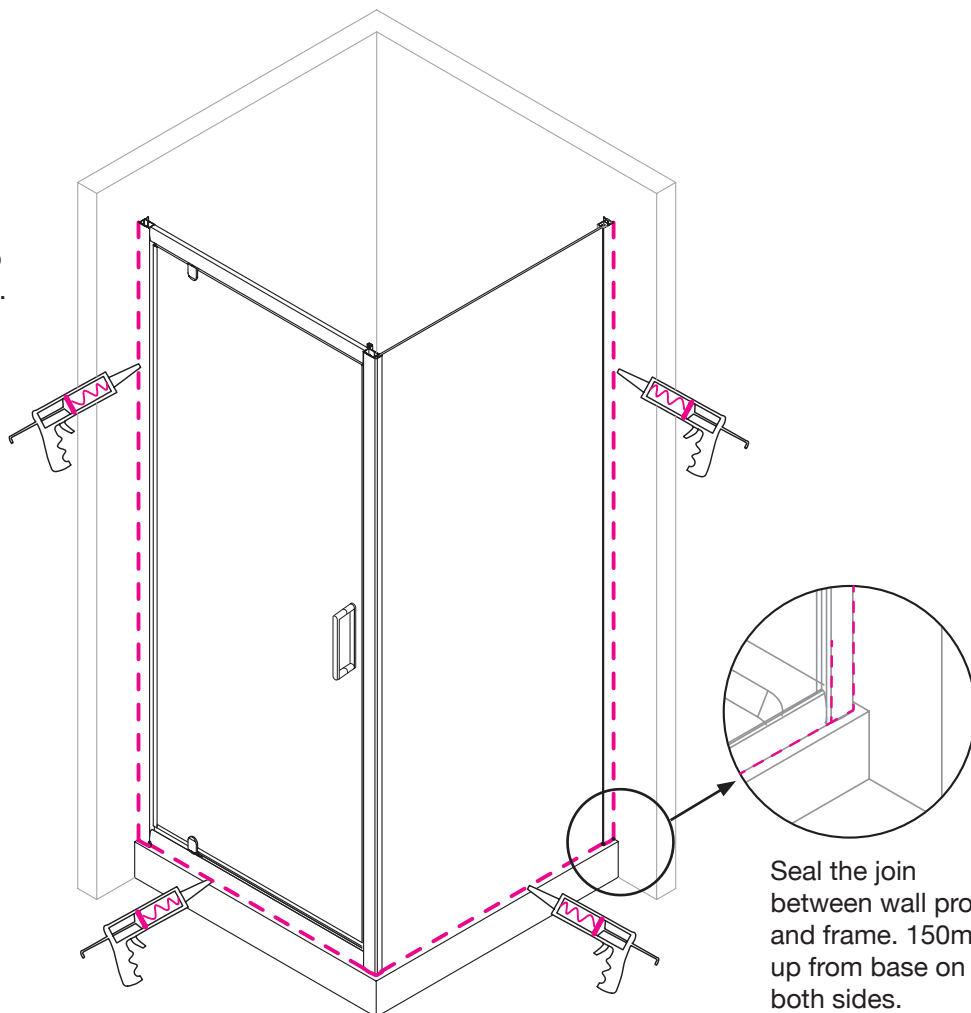


B

- Finally adjust shower door in wall profiles and square up door to frame.
- Drill and fasten door frame and return panel to wall profiles.

4

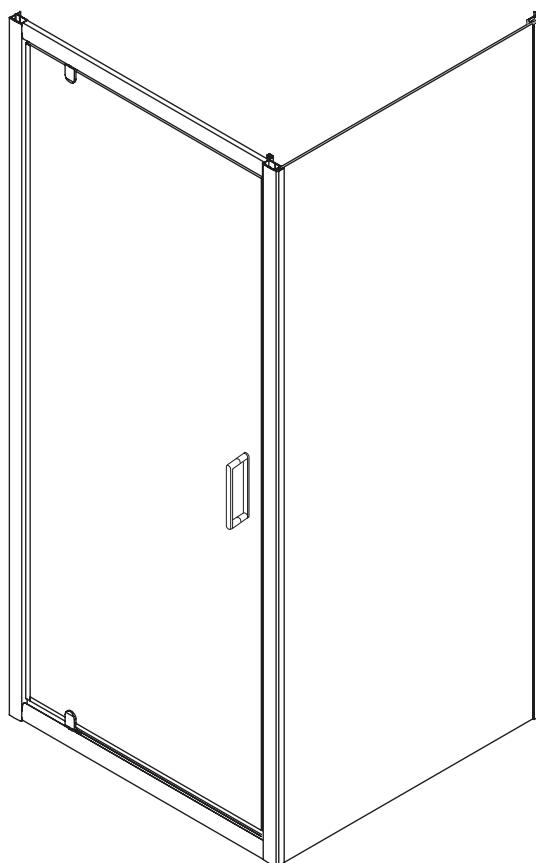
Apply silicone to join as indicated.



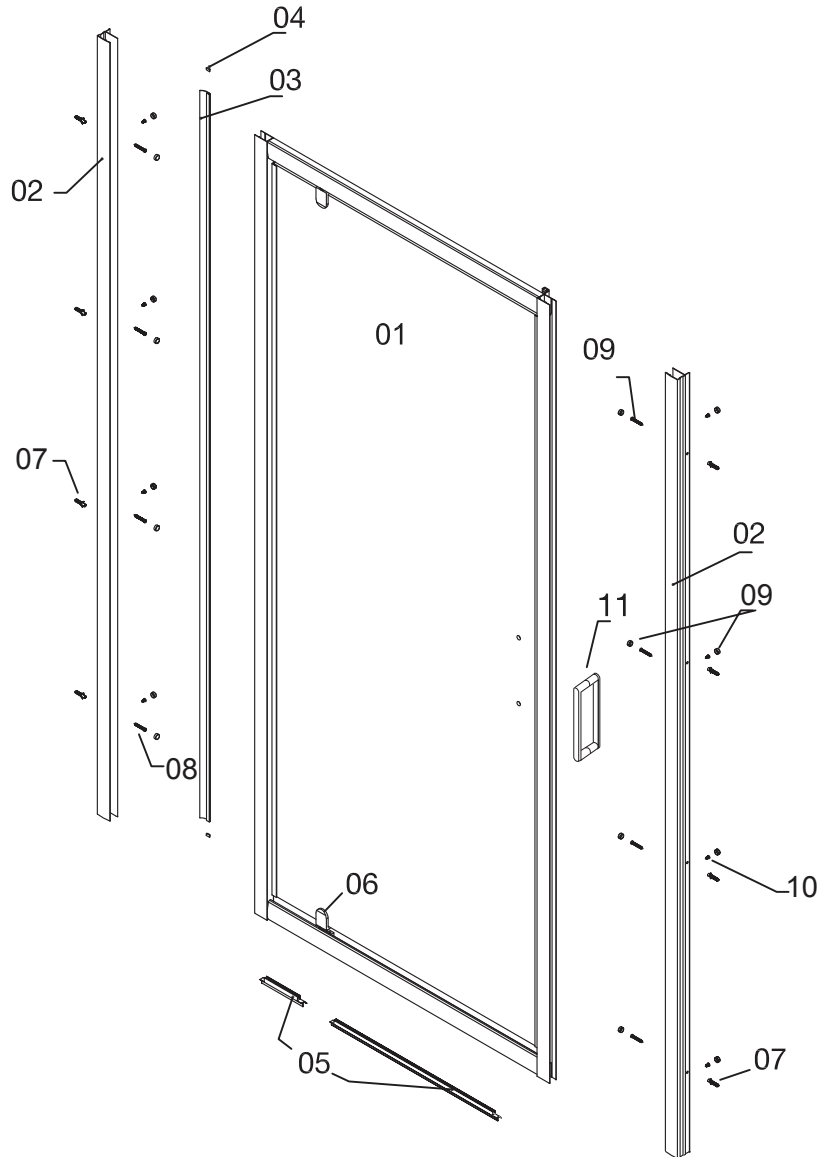
5



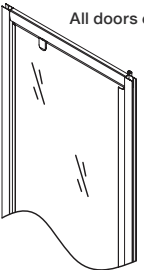
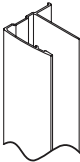

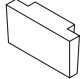
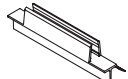
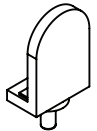
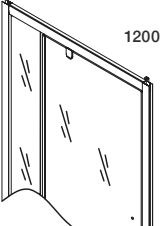

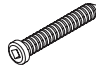


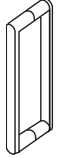
Allow 24 hours for silicone to dry before use.



PIVOT 3-SIDED ALCOVE SHOWER



COMPONENT LIST: 3-SIDED ALCOVE

 <p>All doors except 1200</p> <p>01 1 PCS</p>	<p>Wall Channel K7102</p>  <p>02 2 PCS</p>	<p>Back Door Seal K7072</p>  <p>03 1 PCS</p>	<p>Back Door Seal Stop K4000</p>  <p>04 2 PCS</p>	<p>Lower Door Seals K6808</p>  <p>05 2 PCS</p>	<p>Pivot Block K2004</p>  <p>06 1 PCS</p>
Replacement Screw Pack - Chrome & White K2271					
 <p>1200 Door</p> <p>07 1 PCS</p>	<p>Wall Plug (Concrete)</p>  <p>Ø6*30 8 PCS</p>	<p>4x35mm Screws</p>  <p>ST4*35 8 PCS</p>	<p>Screw Caps</p>  <p>09 16 PCS</p>	<p>4x10mm screws</p>  <p>ST4*10 8 PCS</p>	<p>Handle</p>  <p>11 1 PCS</p>

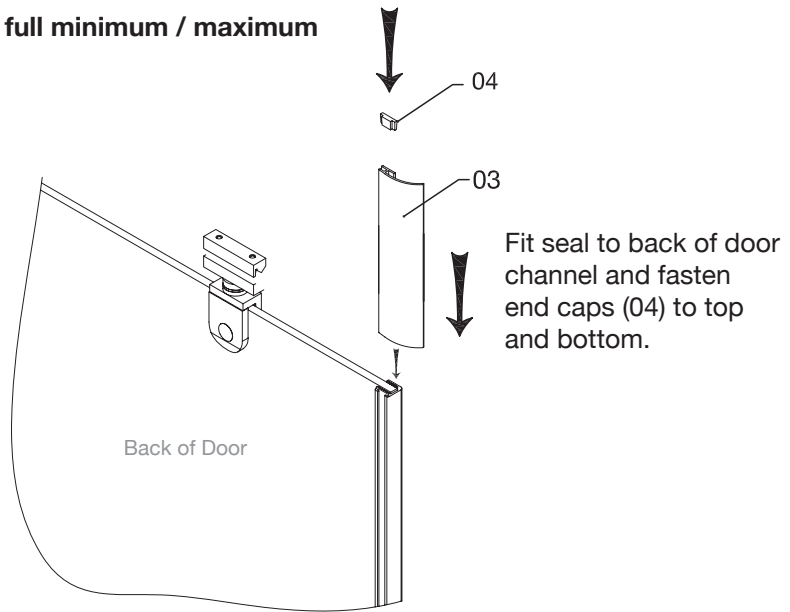
Wall Channel Adjustment: Pivot 3-Sided Alcove Shower Table

Includes Low Profile (L/P) Tray applications

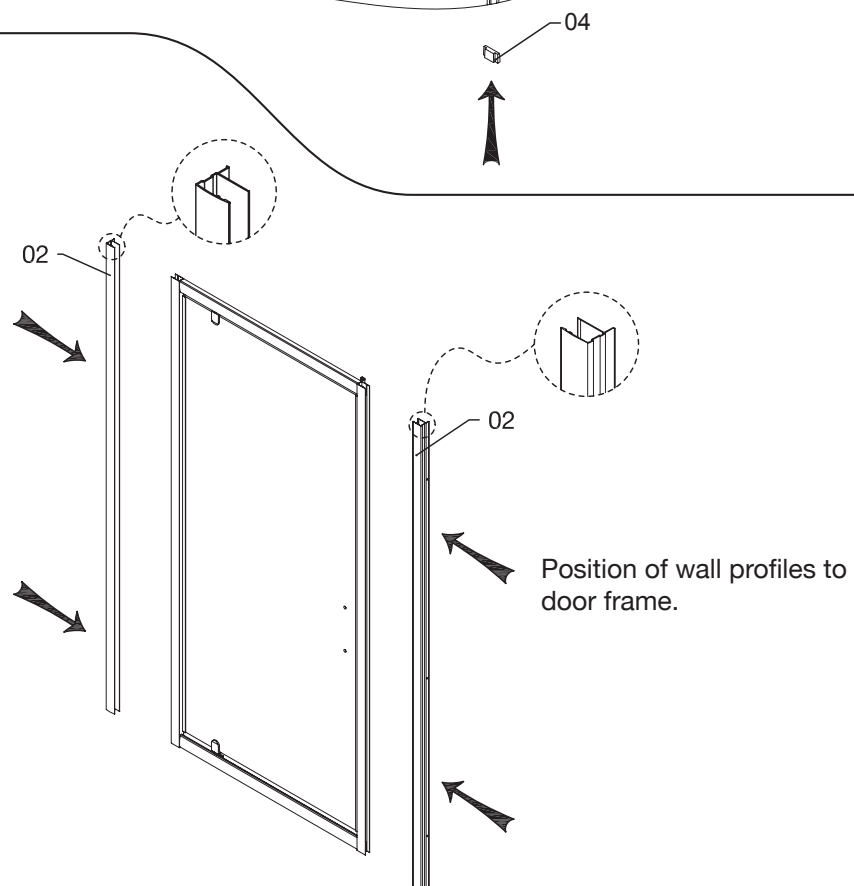
NOMINAL TRAY SIZE	TRAY TYPE	TRAY ACTUAL WIDTH (+/- 1mm)	LINER TO LINER MEASUREMENT	SCREEN MIN-MAX	EXTENSION AT WALL 2-SIDES OF FRAME
810	L/P	812mm	786mm	769mm - 784mm	8.5mm
900	L/P	902mm	876mm	860mm - 890mm	8mm
1000	L/P	1002mm	976mm	960mm - 990mm	8mm
1200	L/P	1202mm	1176mm	1155mm - 1185mm	10.5mm

Walls out of plumb will not allow for full minimum / maximum options.

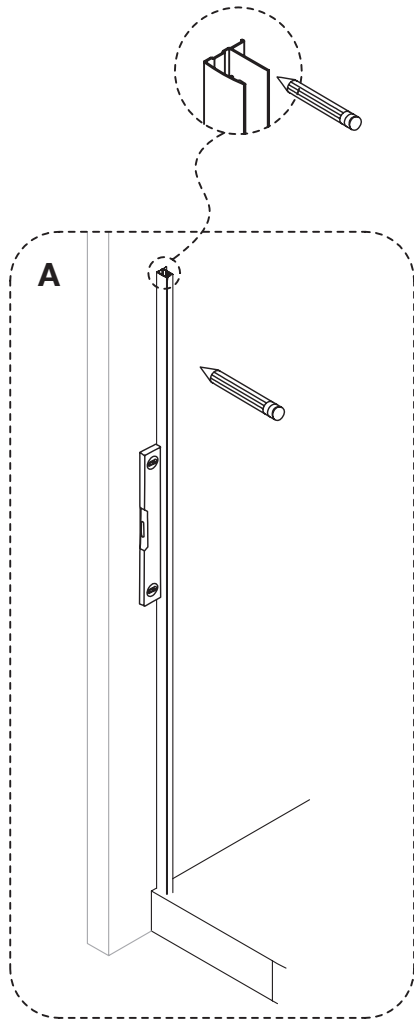
1



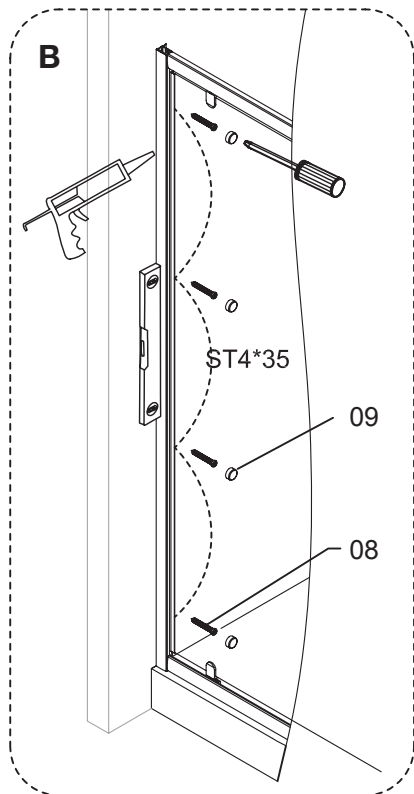
2



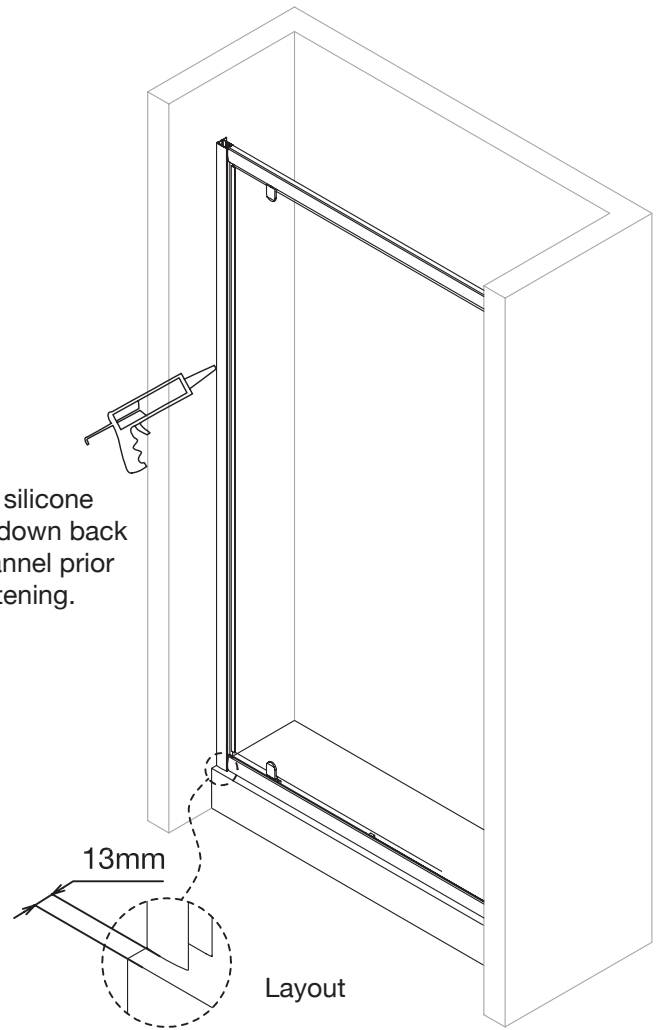
3



Mark wall profile holes both sides.
Predrill liner with 2mm bit.



Fasten wall profiles.



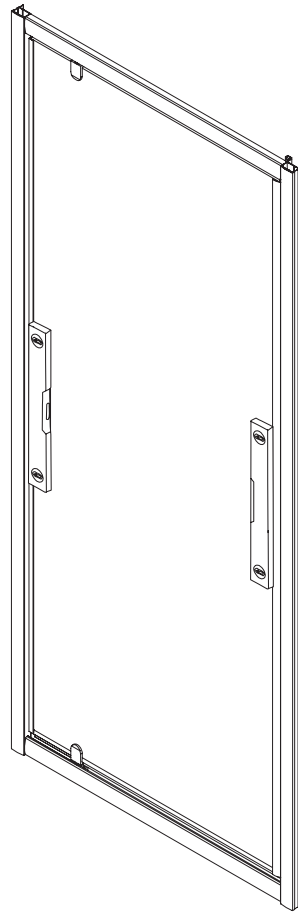
Apply silicone bead down back of channel prior to fastening.

13mm

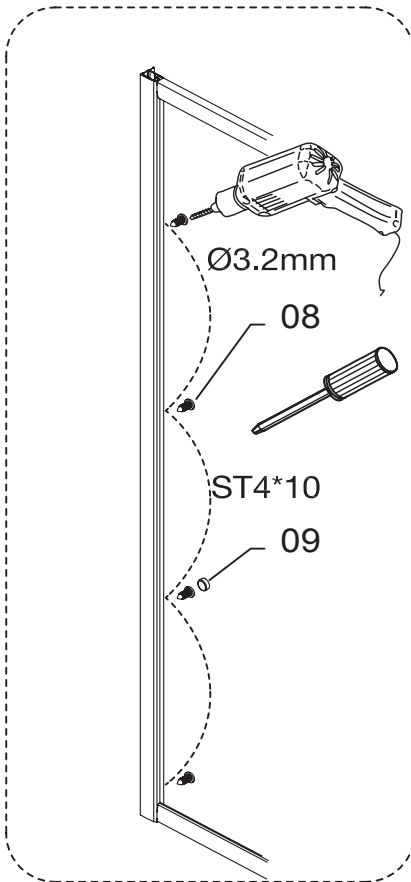
Layout

4

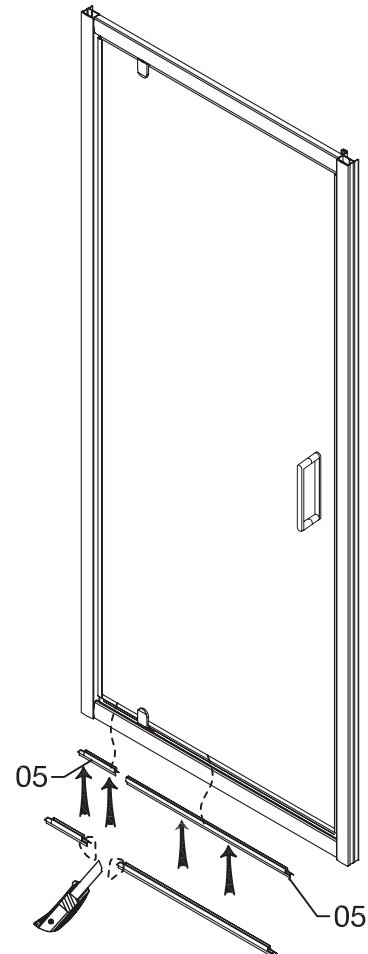
1. Plumb and square up door to frame.
2. Adjust evenly to both wall profiles.



5

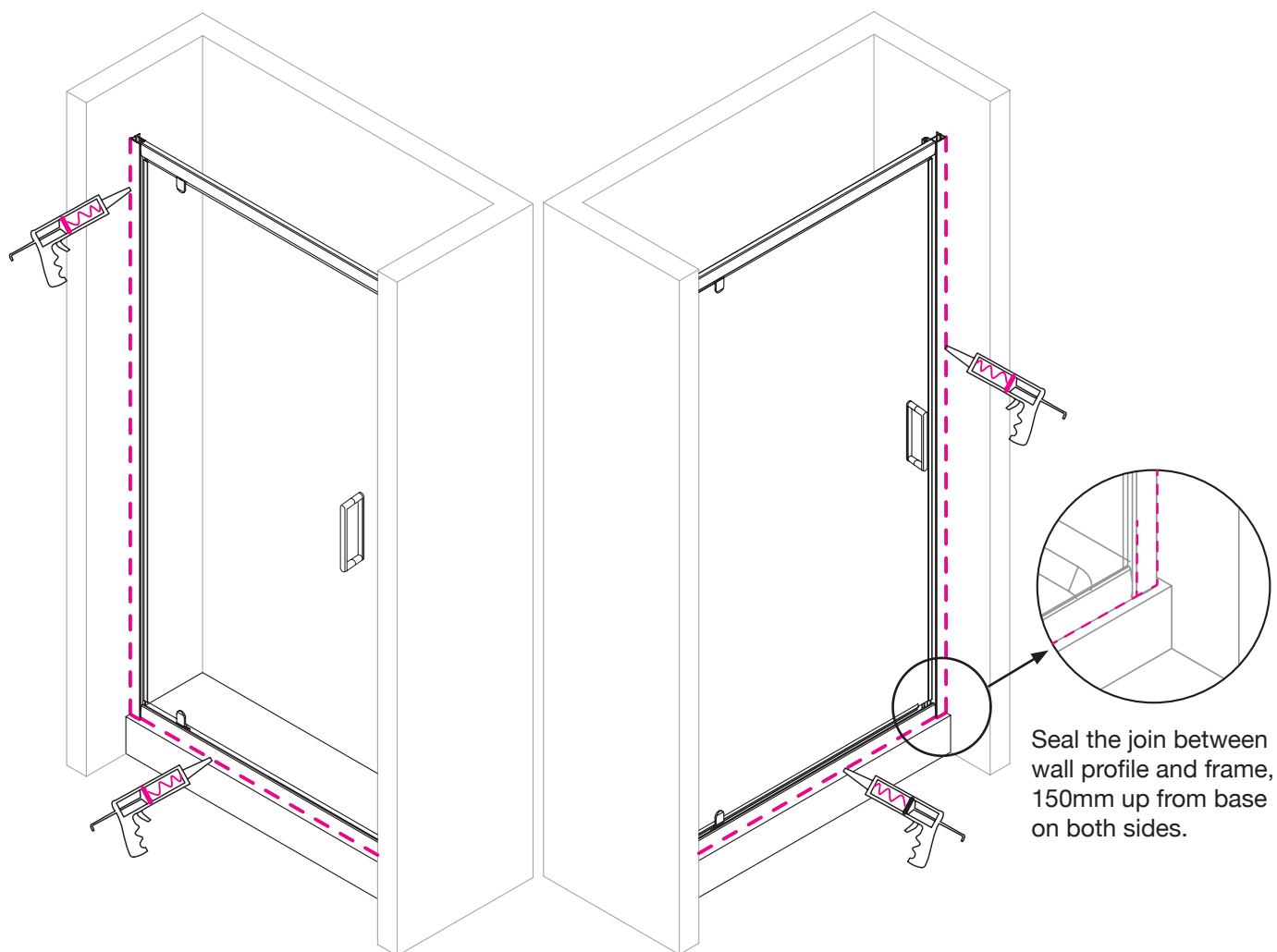


Fasten door frame to wall profiles.



Door seal full width of door. Notch out glass flange by 12mm each end of door. Trim each side of pivot.

6 Apply silicone to outer join as indicated.



Allow 24 hours for silicone to dry before use.

CONTACT

NEWLINE
for a lifetime!

Freephone: 0508 639 5463 Phone: 09 444 2053 Fax: 09 443 0044

Email: info@newline.co.nz www.newline.co.nz