

Important!

1. When you receive your Newline shower check contents for any freight damage.
2. Advise Newline on 0508 639 5463 if any damage has occurred or a defect identified within 8 hours of receiving the goods so this can be rectified.
3. Do not proceed with installation until resolved.

DOOR SET / IMPORTANT INFORMATION

WARRANTY

Faulty goods are covered under warranty. Visit www.newline.co.nz for warranty information.

Breakages incurred during construction are not covered under warranty.

Installations must conform to the instructions to be covered by the warranty.

HEALTH AND SAFETY

Toughened Glass:

- Do not rework precut glass panels. Cutting or altering a glass panel will cause it to explode without warning.
- Unpack all glass assemblies. Stand glass on soft packaging on the floor and against a wall. Care must be taken not to strike any edge or corner against a hard surface as this will chip and destroy the glass panel.

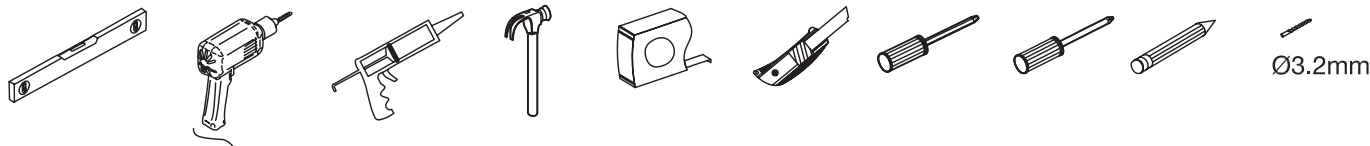
Installation:

- Glass panels and assemblies are heavy. Two man lifting is recommended for handling and installation.
- Determine positioning of wiring and piping within wall cavities before shower installation. Mark their positions to ensure electrical and piping areas are avoided.
- Wear appropriate protective clothing and eye protection during installation.

MATERIALS REQUIRED

Sika Silaflex NG translucent Silicone

TOOLS REQUIRED



AFTERCARE

Newline recommend squeegeeing down the glass after every shower and cleaned weekly with a microfiber cloth, mild detergent and water. Rinse with clean water and squeegee and wipe dry.

NEWLINE RECOMMENDS A SKILLED TRADESMAN ACQUAINTED WITH SHOWER INSTALLATIONS TO ENSURE THE VERY BEST OUTCOME.

DOOR SET / IMPORTANT INFORMATION

PREPARATION CHECKLIST

ENSURE YOU TICK THE SPECIFIC BOXES THAT APPLY AS YOU PROGRESS

- 2 Sided Shower: Ensure the floor is level and the walls are plumb and flat.
- Position all framing for solid fixing for the shower tray, shower and plumbing fittings. Wall profiles require a stud flush with the tray outside edge.
- Ensure all plumbing items have been installed prior to the lining being attached.
- Alcove Shower: Critical that the walls are constructed plumb and flat. Request the specific width of the Acrylic Tray prior to framing.

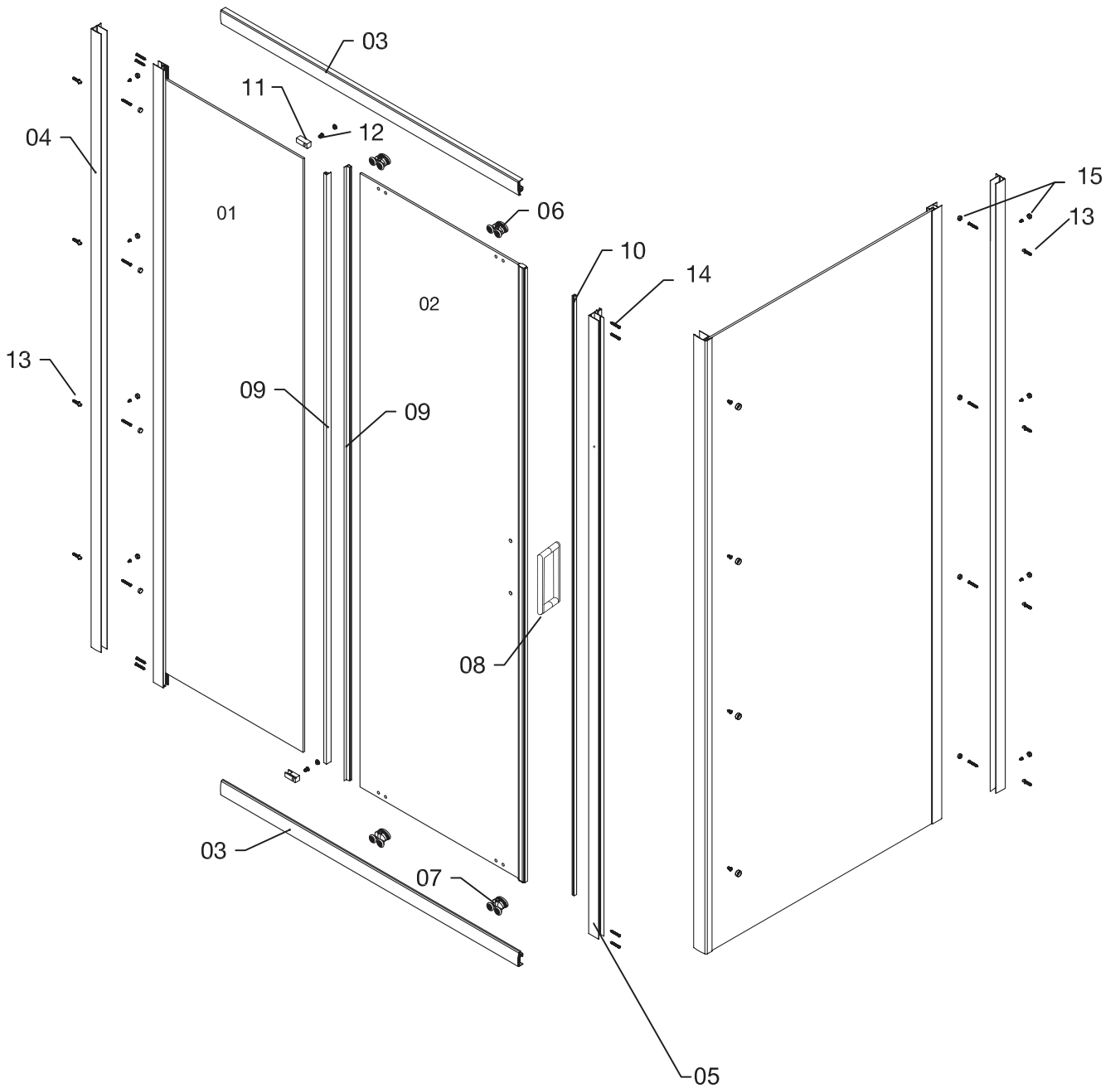
ACRYLIC TRAY AND LINER OPTION

- Detailed installation instructions are packed with the shower tray for tray and lining installation.
- Alcove application will require specific detailing of framing and is based on 10mm plasterboard lining.
- Shower waste and supply fittings must be installed by a registered plumber.

INDEX

- Page 4 to 8** 2-Sided Shower
- Page 9 to 14** 3-Sided Alcove Shower

COMPONENT LIST: 2-SIDED



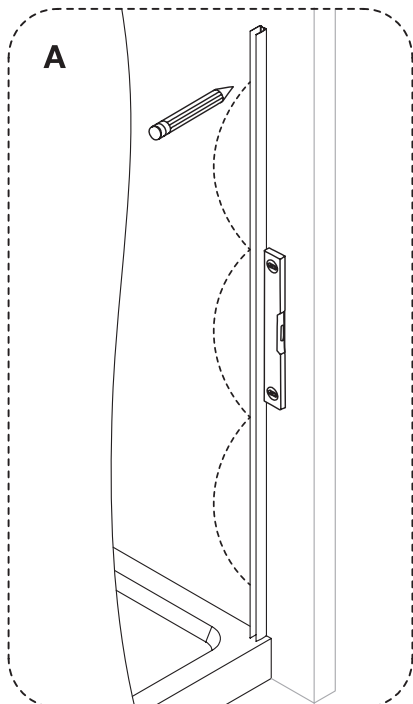
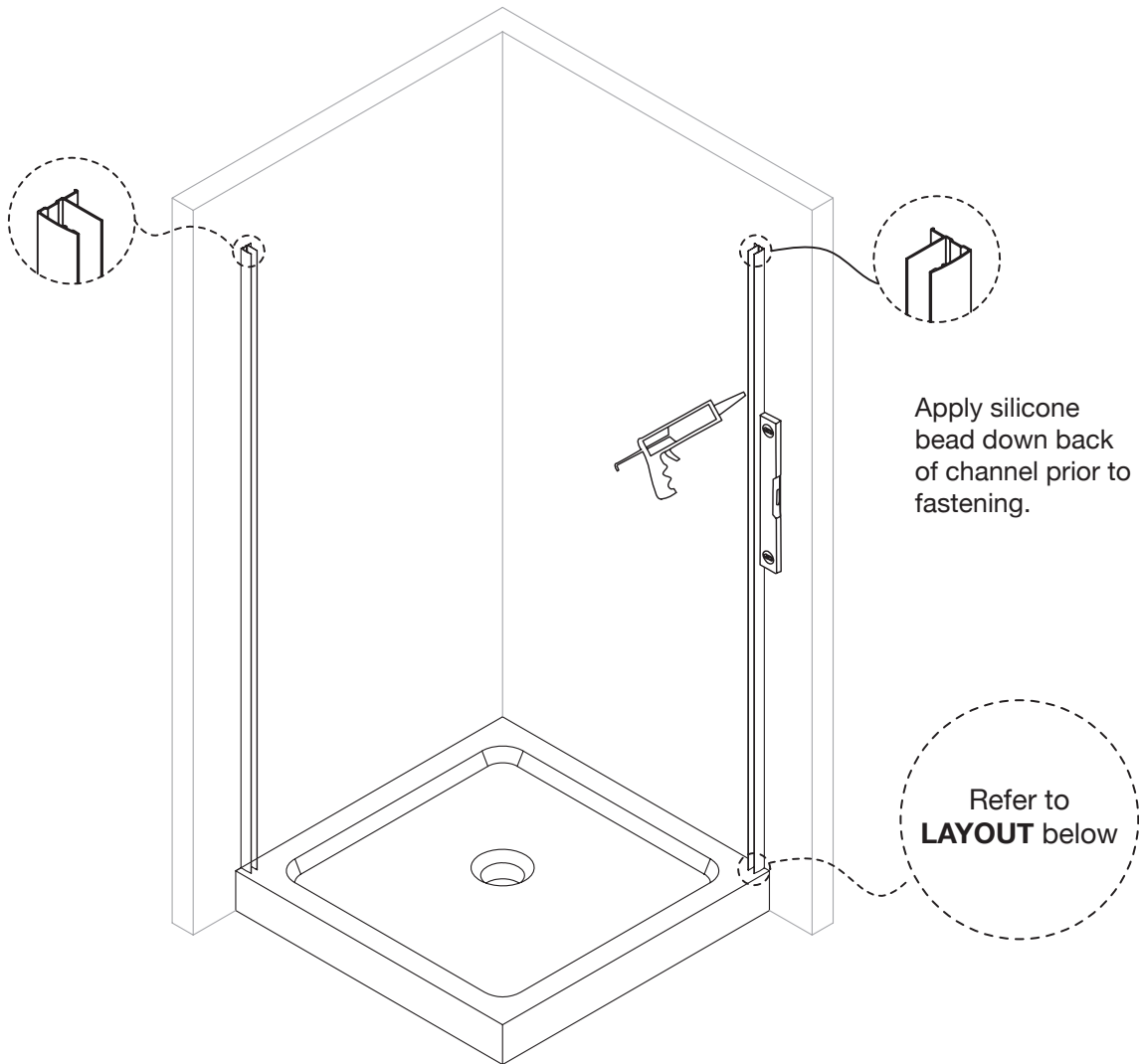
COMPONENT LIST: 2-SIDED DOOR AND RETURN PANEL

01	02	03	04	05	06	07	08	17
1 PCS	1 PCS	2 PCS	2 PCS	1 PCS	2 PCS	2 PCS	1 PCS	1 PCS
Replacement Screw Pack - Chrome & White K2301								
09	10	11	12	13	14	15	16	17
2 PCS	1 PCS	2 PCS	2 PCS	8 PCS	16 PCS	20 PCS	12 PCS	1 PCS

SHOWER TYPE	WALL CHANNEL ADJUSTMENT
900mm Return Panel	870mm (minimum) to 888mm (maximum)
1200mm Door	1165mm (minimum) to 1185mm (maximum)

Walls out of plumb will not allow for full minimum/maximum options.

1

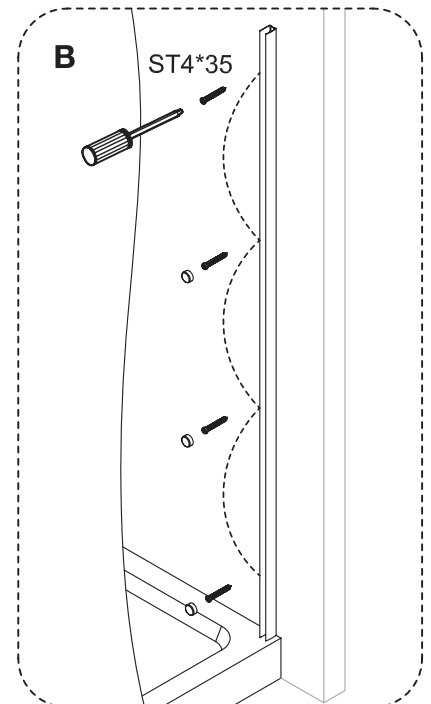


Mark wall profile.

SHOWER SCREEN LAYOUT

Low Profile Acrylic Shower Tray size 1200 x 915 x 40mm high
 Mark channels at 18mm off tray edge on both sides. Assess any change at the door side that will reduce the return panel extension, as adjustment is 14mm against 4mm on door.

Min/Max Table above

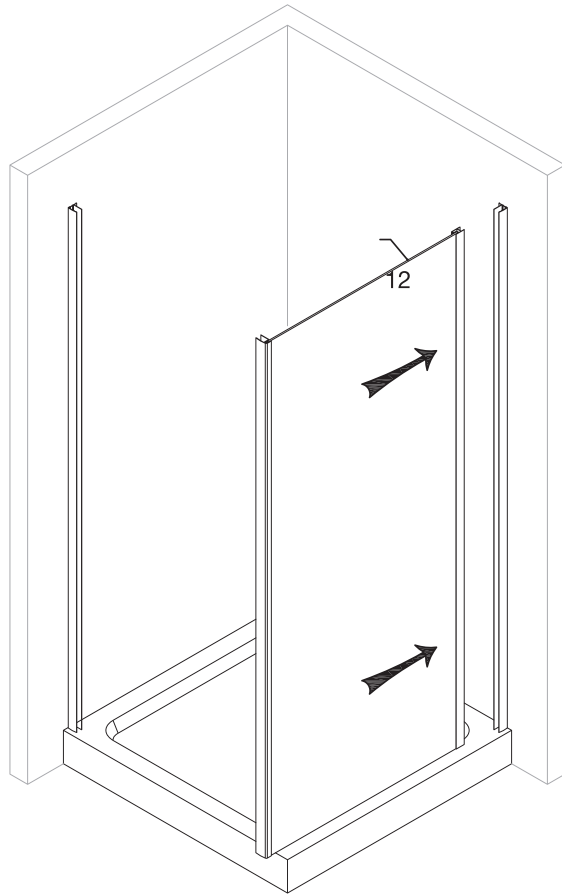


Fasten wall profile.

2

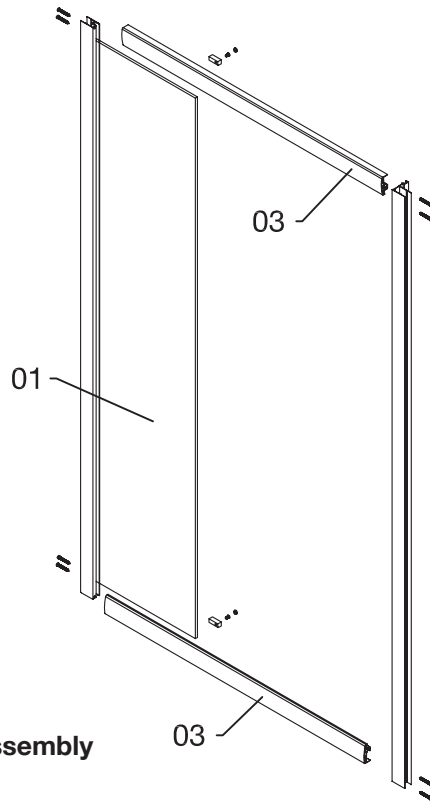
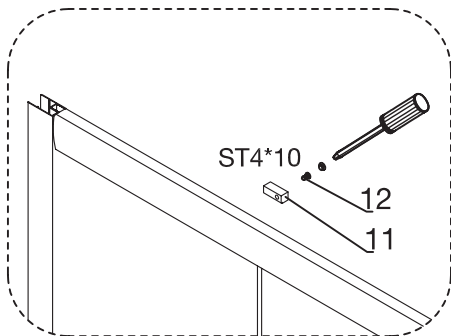
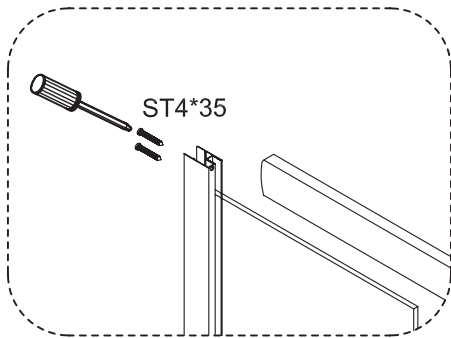
For details on door set assembly

1. Door frame: Step 3 this page.
2. Glass door: Page 7 Step 4 & 5



Fit return panel.

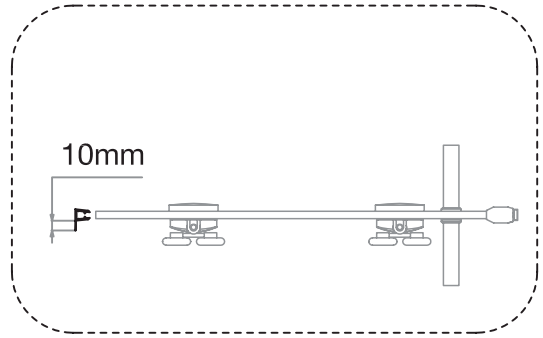
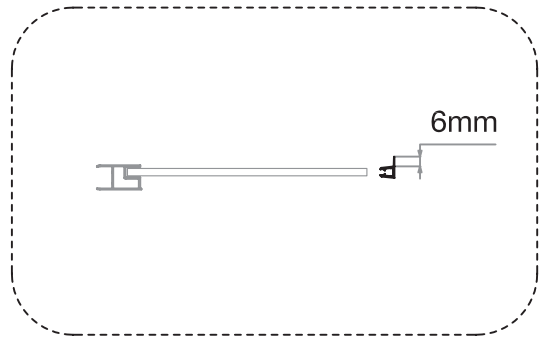
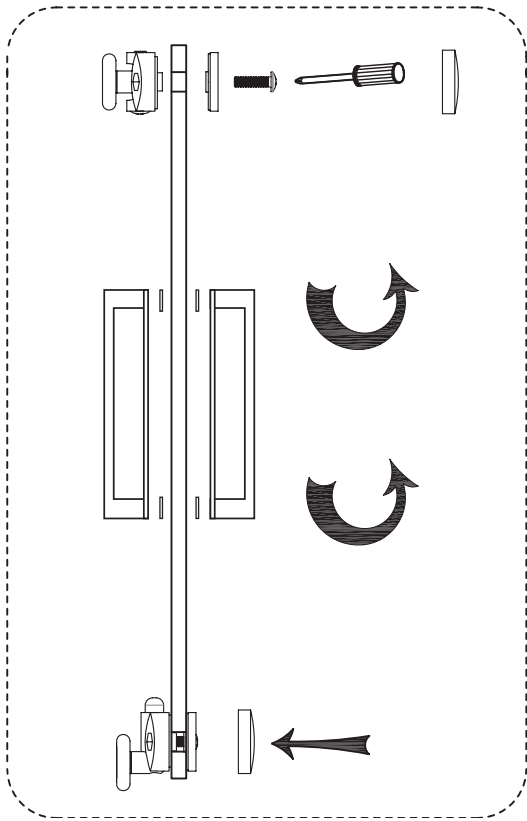
3



**Top & Bottom
Rails (03). Fit with
bump stops at
fixed glass end.**

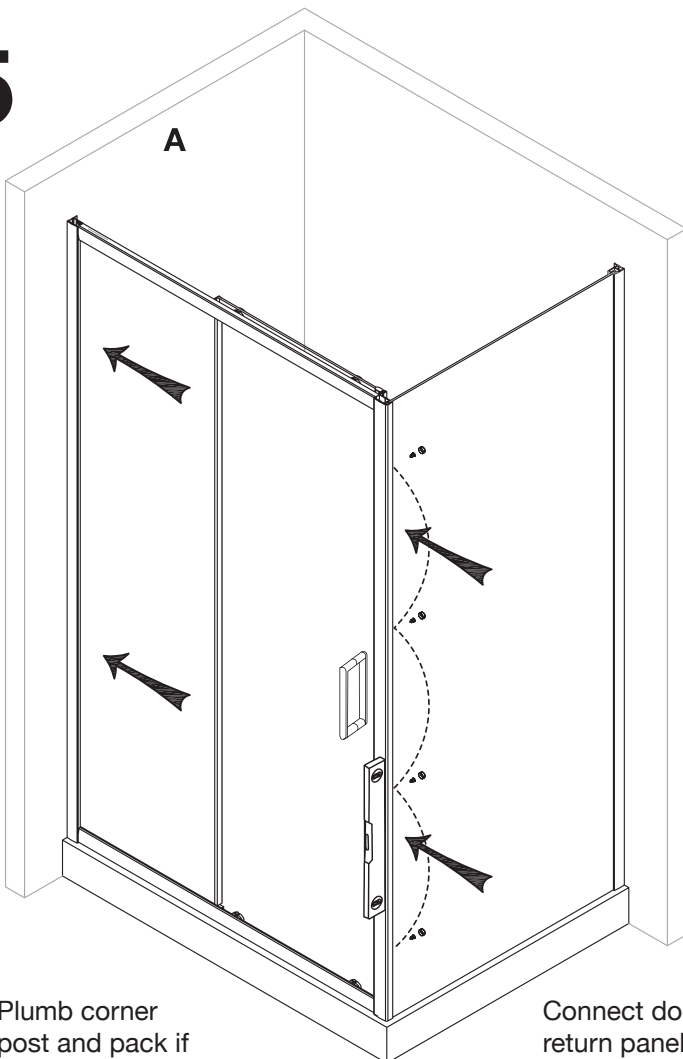
Door Assembly

4



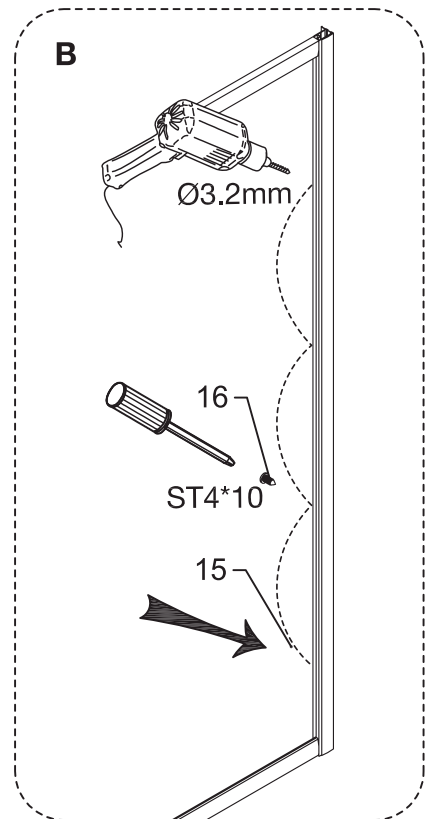
Door parts and seals

5



Plumb corner post and pack if required.

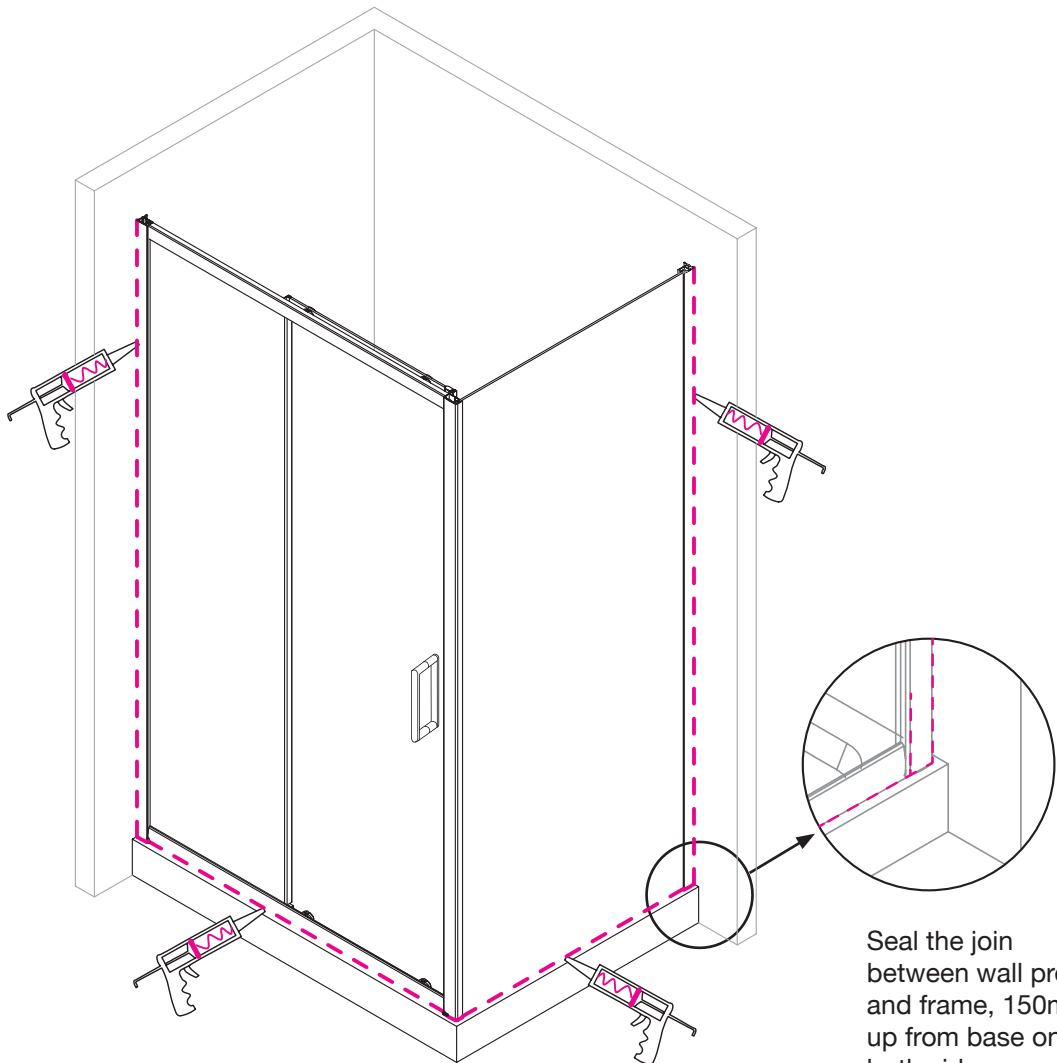
Connect door set to return panel. Drill and fasten at corner.



Adjust shower inwall profiles and square up door. Drill and fasten door frame to wall profile.

6

Apply silicone to join as indicated.



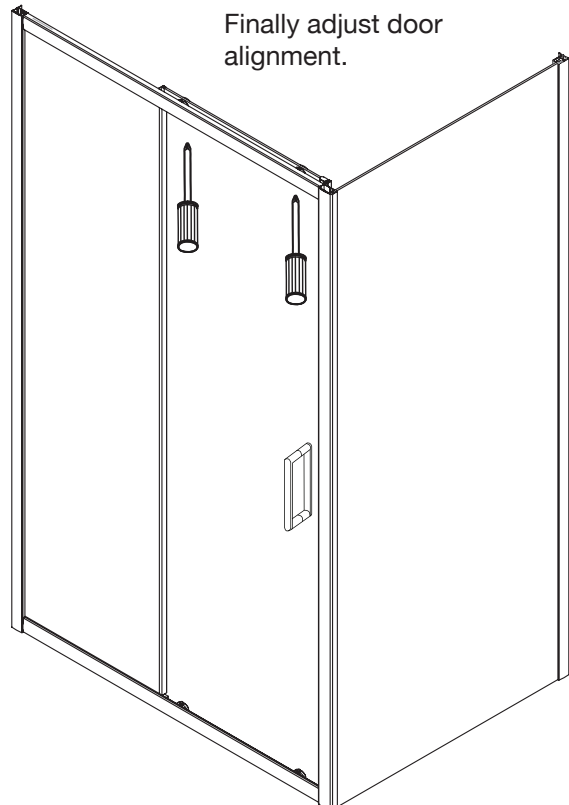
Seal the joint between wall profile and frame, 150mm up from base on both sides.

7

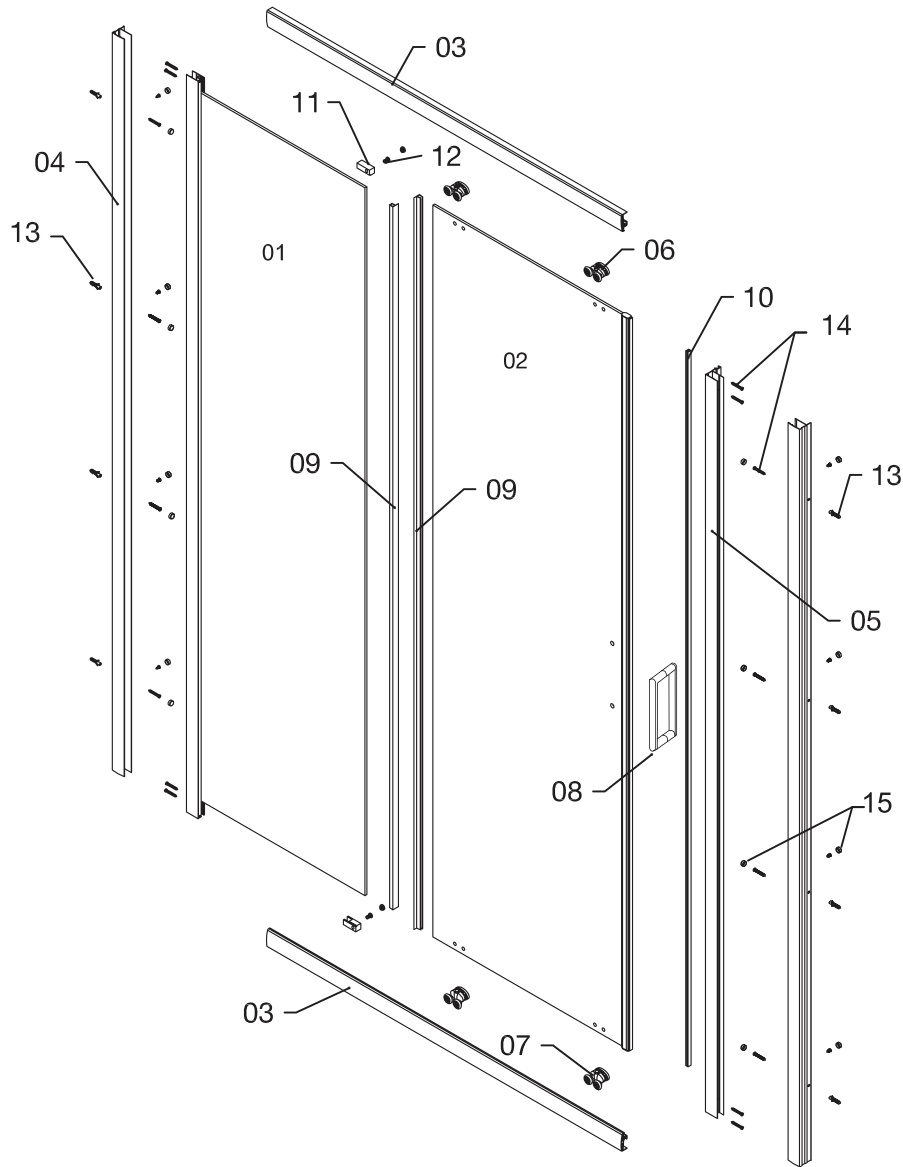


Allow 24 hours for silicone to dry before use.

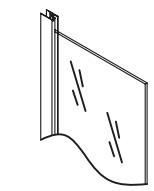
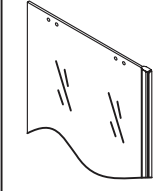


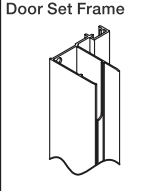
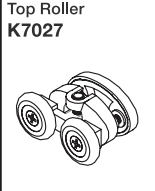
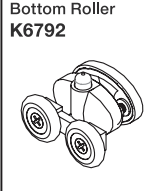
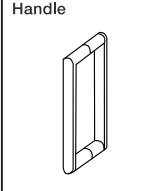



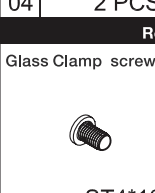
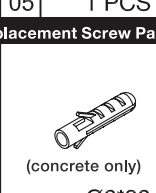


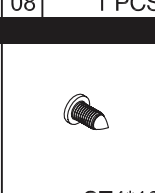
Finally adjust door alignment.



COMPONENT LIST: 3-SIDED ALCOVE



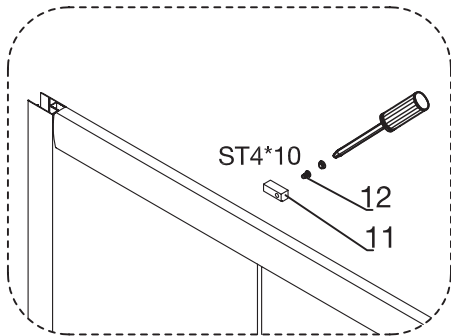
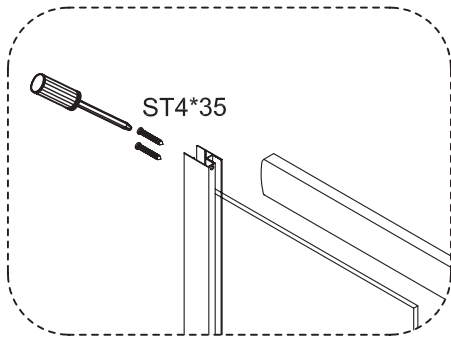
COMPONENT LIST: DOOR SET 3-SIDED ALCOVE

							
01 1 PCS	02 1 PCS	03 2 PCS	04 2 PCS	05 1 PCS	06 2 PCS	07 2 PCS	08 1 PCS
09 2 PCS	10 1 PCS	Replacement Screw Pack - Chrome & White K2301					
							
11 2 PCS	12 2 PCS	13 6 PCS	14 14 PCS	15 12 PCS	16 6 PCS		
		Chrome only	ST4*10	(concrete only) Ø6*30	ST4*35		ST4*10

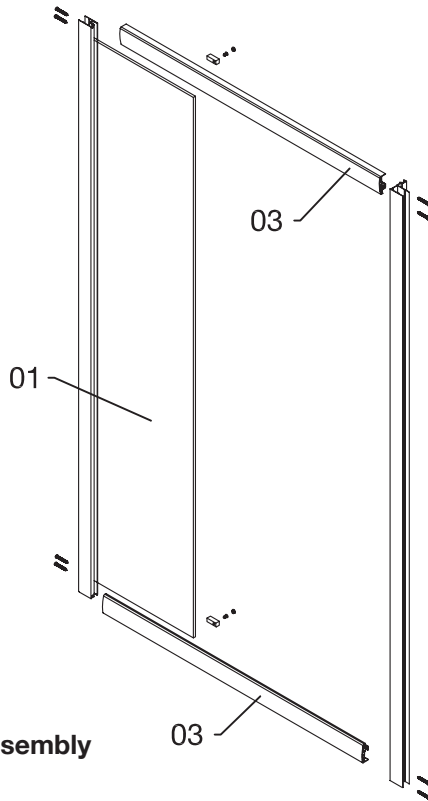
SHOWER TYPE	WALL CHANNEL ADJUSTMENT
1200mm	1155mm (minimum) to 1185mm (maximum)

Walls out of plumb will not allow for full minimum / maximum options.

1

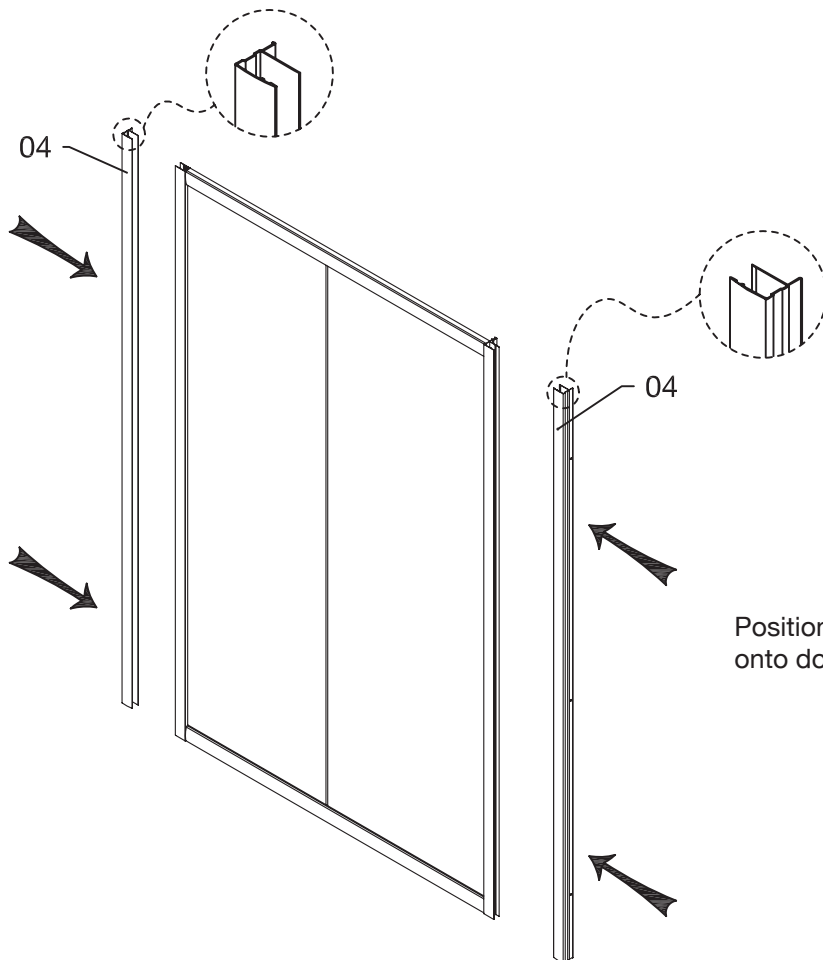


Door Assembly



Top & Bottom Rails (03). Fit with bump stops at fixed glass end.

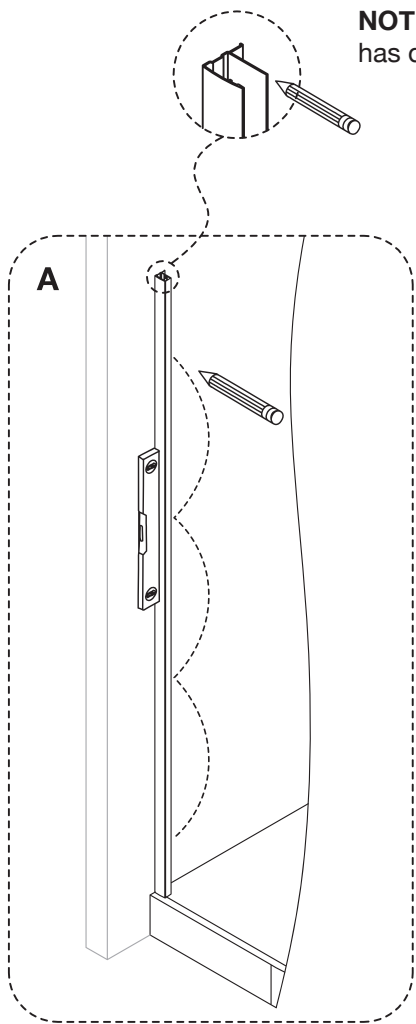
2



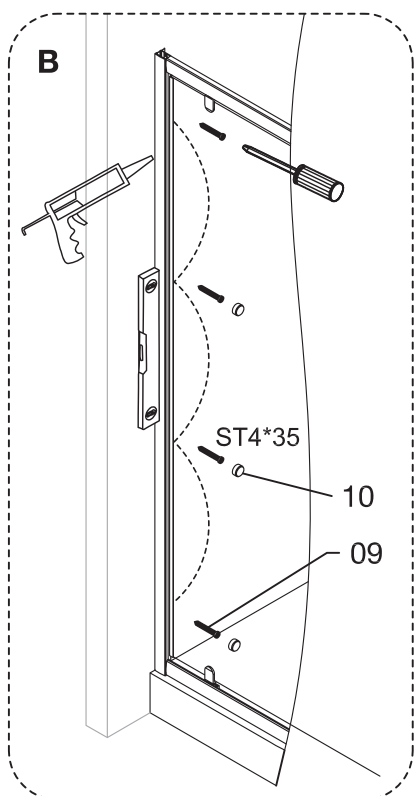
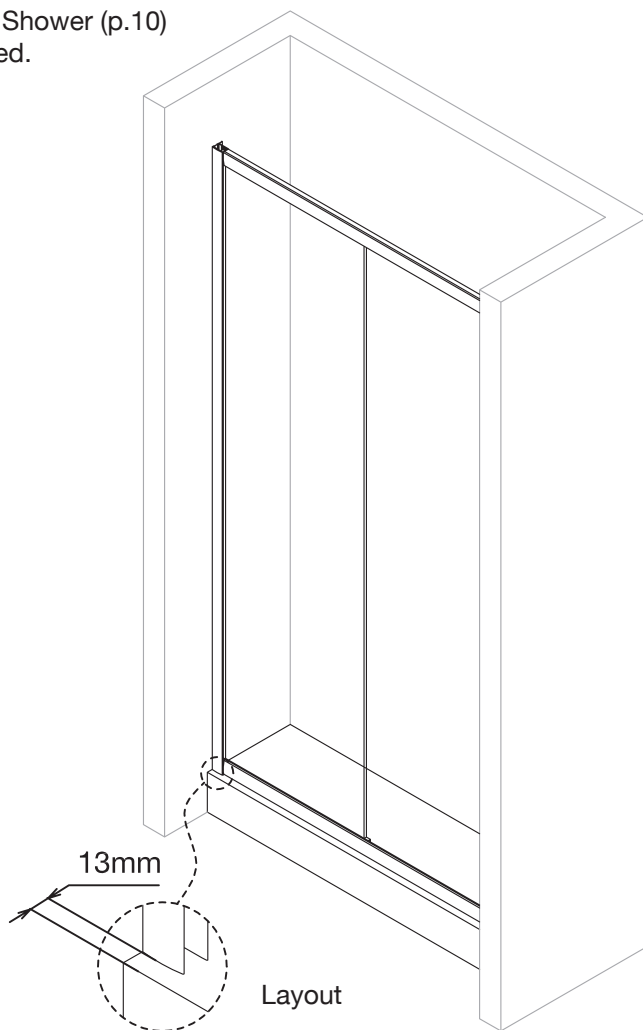
Position wall profiles onto door frame.

3

NOTE: Use Pivot Shower (p.10) has details required.



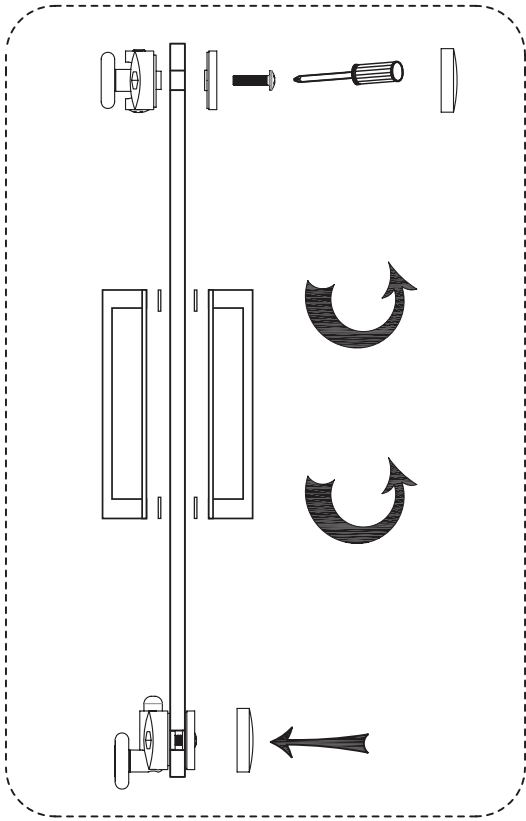
Mark wall profile holes both sides.
Predrill liner with 2mm bit.



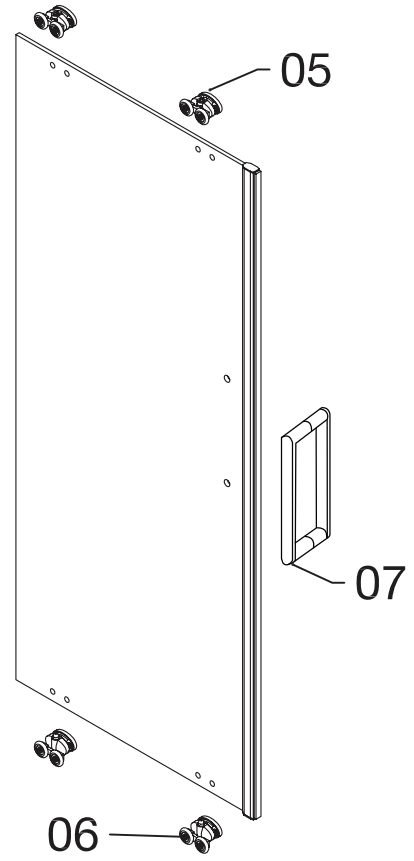
Fasten wall profiles.

Silicone bead on back
of wall channels prior
to installation.

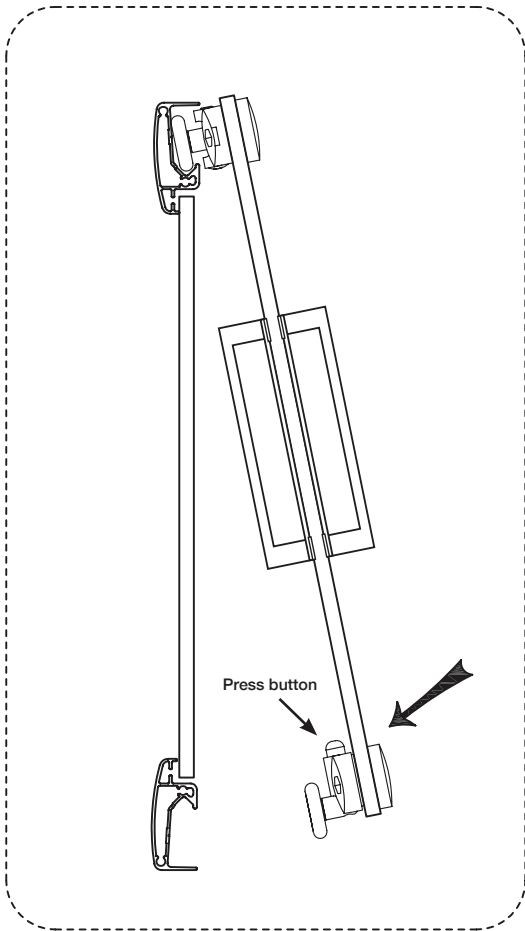
4



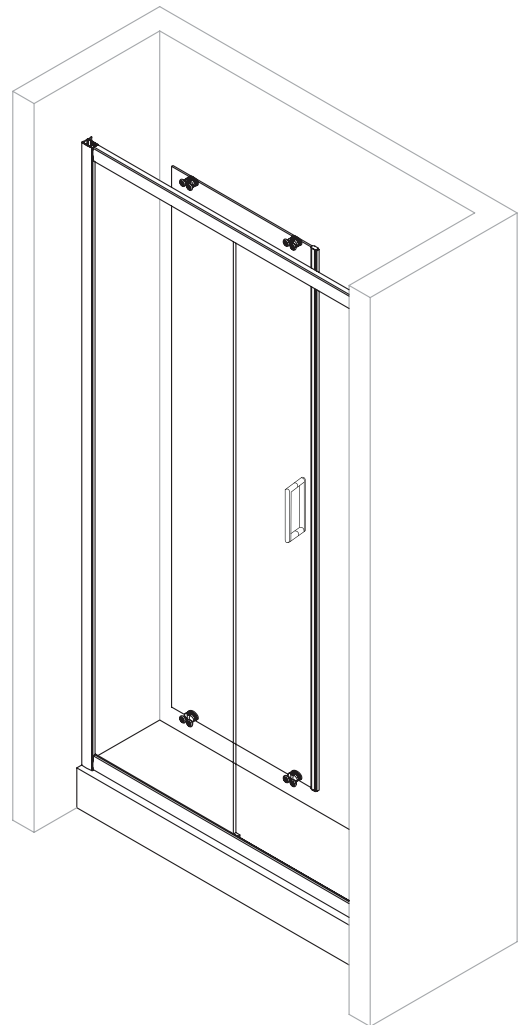
Door Parts



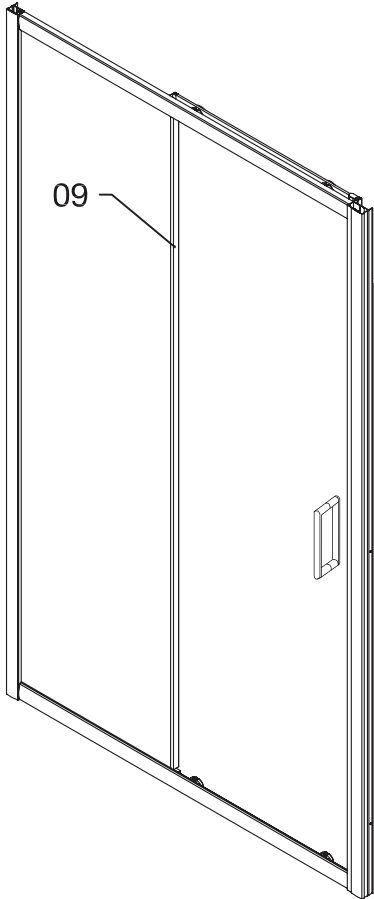
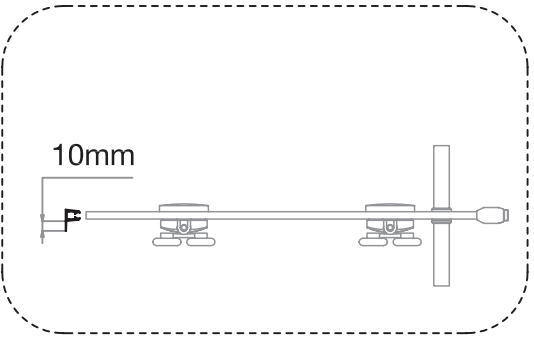
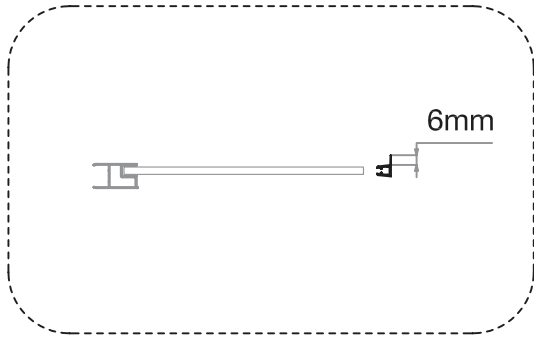
5



Door Installation

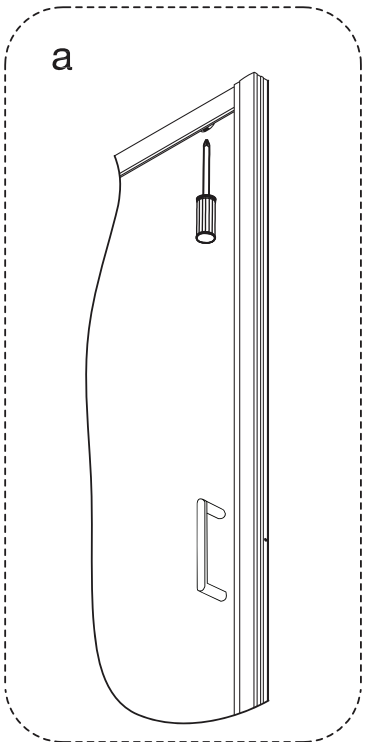


6 Seal Install

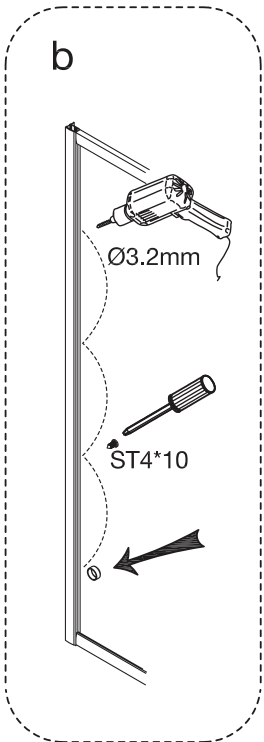


Fitting of seals

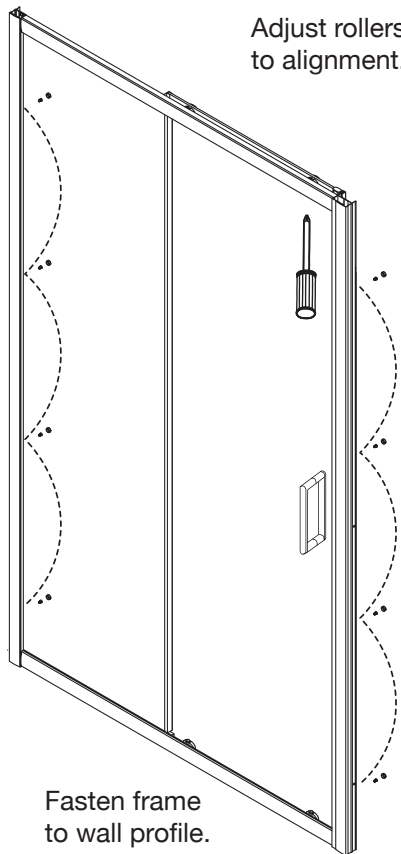
7



Adjust rollers but do not over tighten.



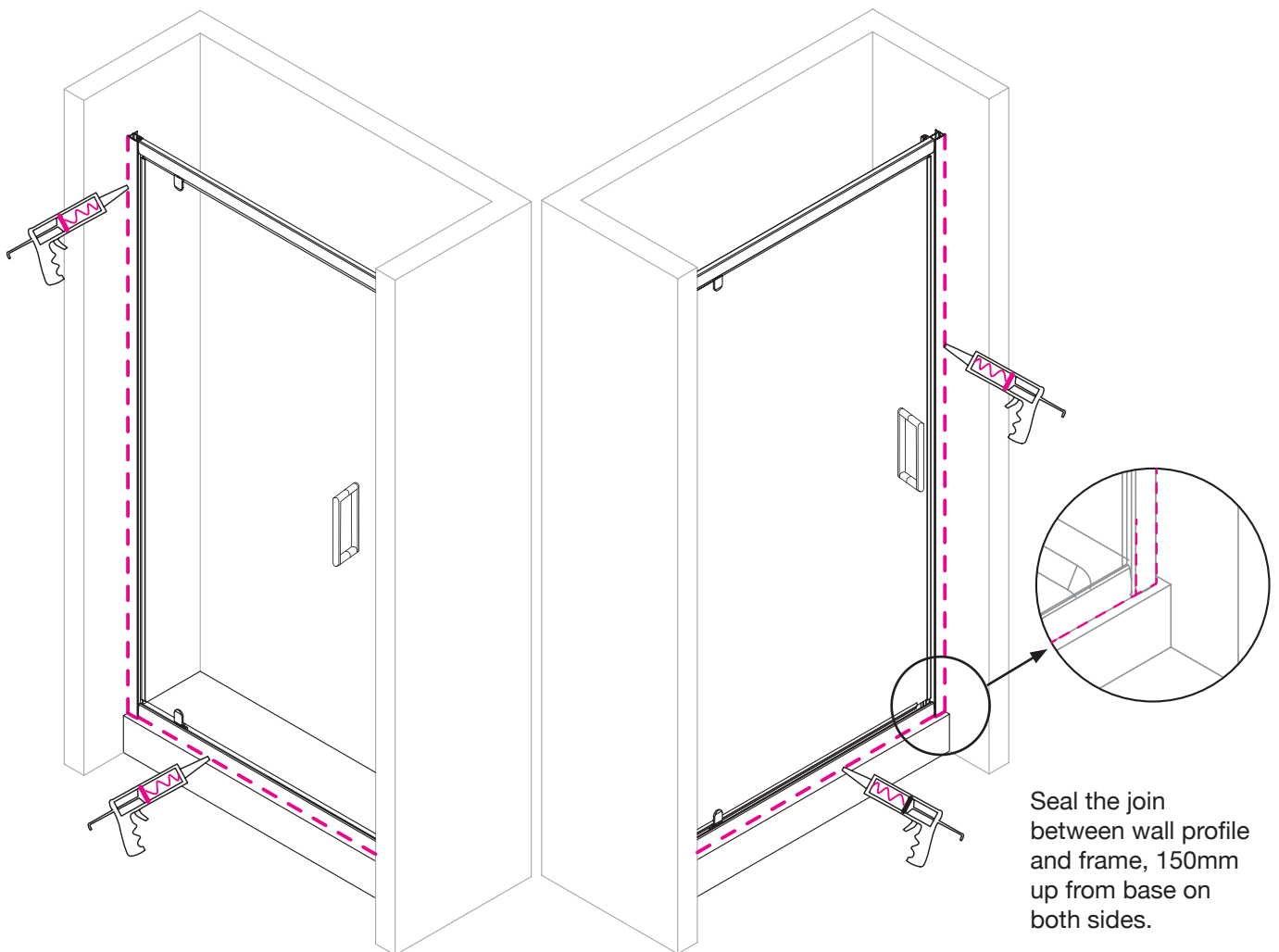
Align door frame within wall channels and square up door.



Fasten frame to wall profile.

8

Apply silicone to outer join as indicated.



CONTACT

NEWLINE
for a lifetime!

Freephone: 0508 639 5463 Phone: 09 444 2053 Fax: 09 443 0044

Email: info@newline.co.nz www.newline.co.nz