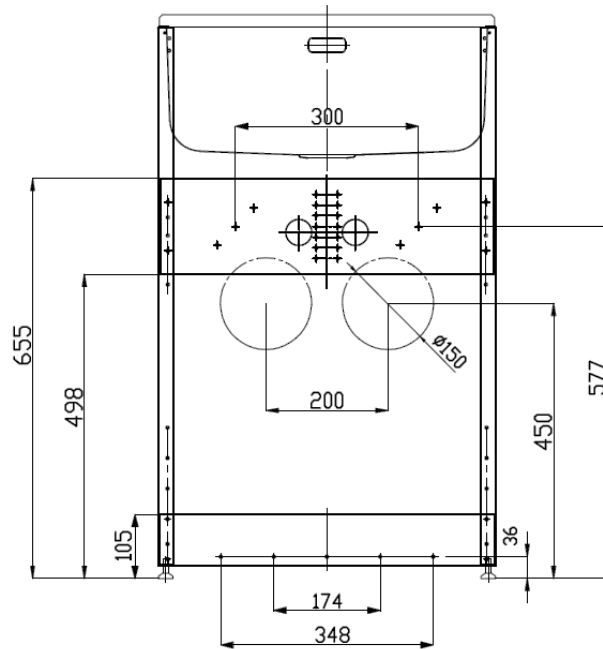
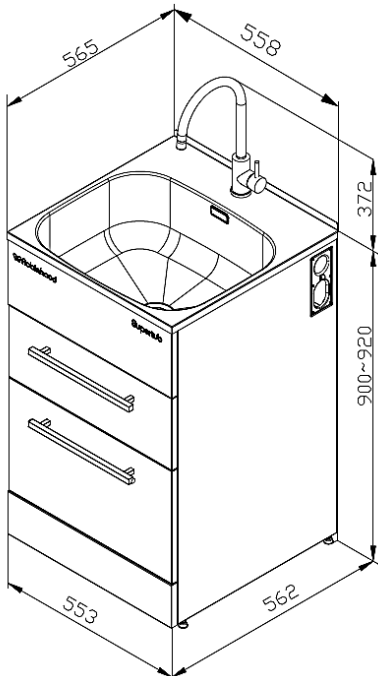


Description

ROBINHOOD STANDARD SUPERTUB SERIES 3 DRAWER MODEL S/S GOOSENECK TAP
ST7003



Dimensions



Specifications

Tapware

Tapware type	#304 Stainless Steel Gooseneck Tap
WELS rating	5 Stars, 5.5L per minute
Max & Min pressure	Maximum pressure 72.5 PSI (500 kPa); Minimum pressure 22 PSI (150 kPa)
Temperature range	Recommended temperature range 5° to 65°C; Maximum temperature 80°C

Sink

Bowl type	0.8mm polished #304 Stainless Steel
Bowl capacity	38L gross capacity measured to the top; 30L capacity to overflow
Waste type	Modern basket waste
Overflow	Yes, modern overflow design

Cabinet

Handle type	2x Square brushed pole handles
Storage type	2x Soft close storage drawers
Adjustable levelling feet	Yes
Side apertures for hoses	Yes, on both sides
Washing machine taps and shut-off valves isolators	Yes, hidden
Washing machine waste pipe	Separate
Cabinet color/finish	Satin white/powder coated
Cabinet material	0.6mm galvanized steel

Dimensions & Weights

Product dimensions (mm)	W558*D565*H(900-920)
Carton dimensions (mm)	W575*D585*H965
Gross/Net weight (Kg)	27/25

Warranty

Tapware & Cabinet	2 years on parts & labour from the date of purchase
Sink	5 years on parts & labour from the date of purchase