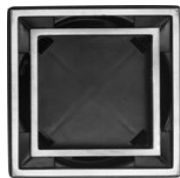


STS105 / STS106 EASY CLEAN WASTE SPEC SHEET

crest
showers



STS105



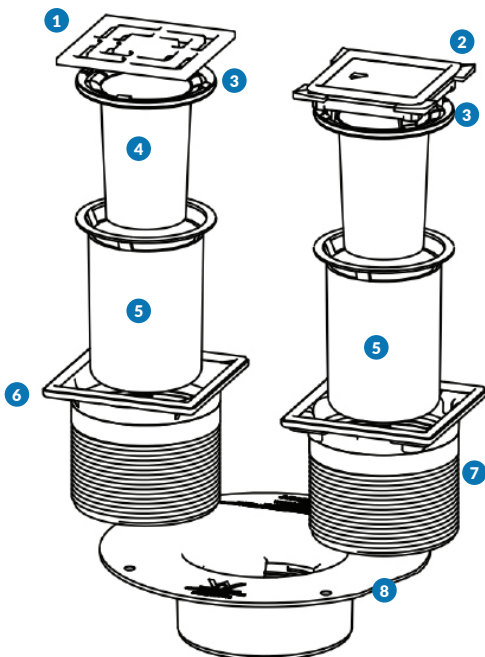
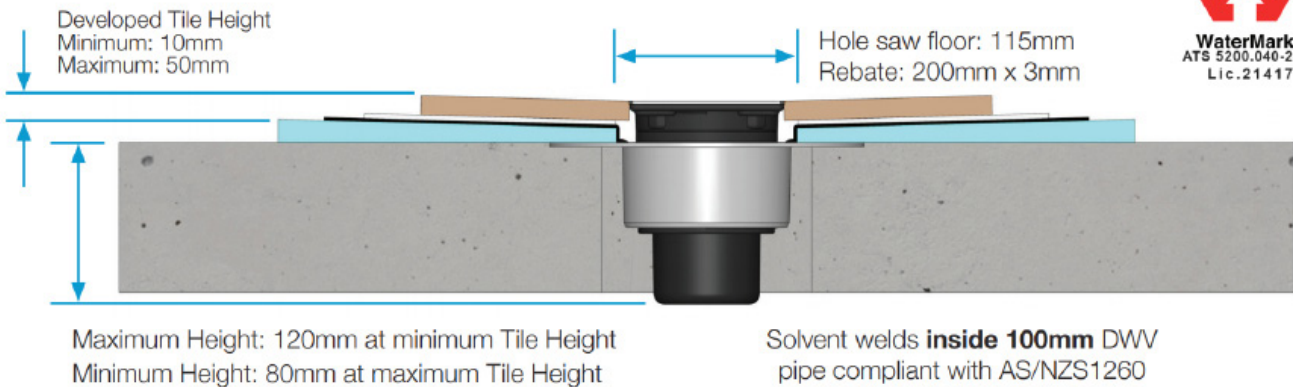
STS106



FLOW RATE - 30-40 l/min
WATER SEAL - 75mm
INLET SIZE - 100mm
OUTLET SIZE - 100mm

EASY CLEAN WASTE

CODE	STS105	STS106
L / MINUTE	50	50
LID	STAINLESS	TILE INSERT



STS105/STS106 EASY CLEAN WASTE PARTS LIST

1. TF Solid Lid SS
2. TI Inner Tray Lid Assembly EC
3. Lid Assembly 40mm Seal
4. EC Strainer 40mm
5. EC Cup 40mm
6. SL Outer Tiling Flange
7. TI Outer Tiling Flange
8. TF 100 Threaded