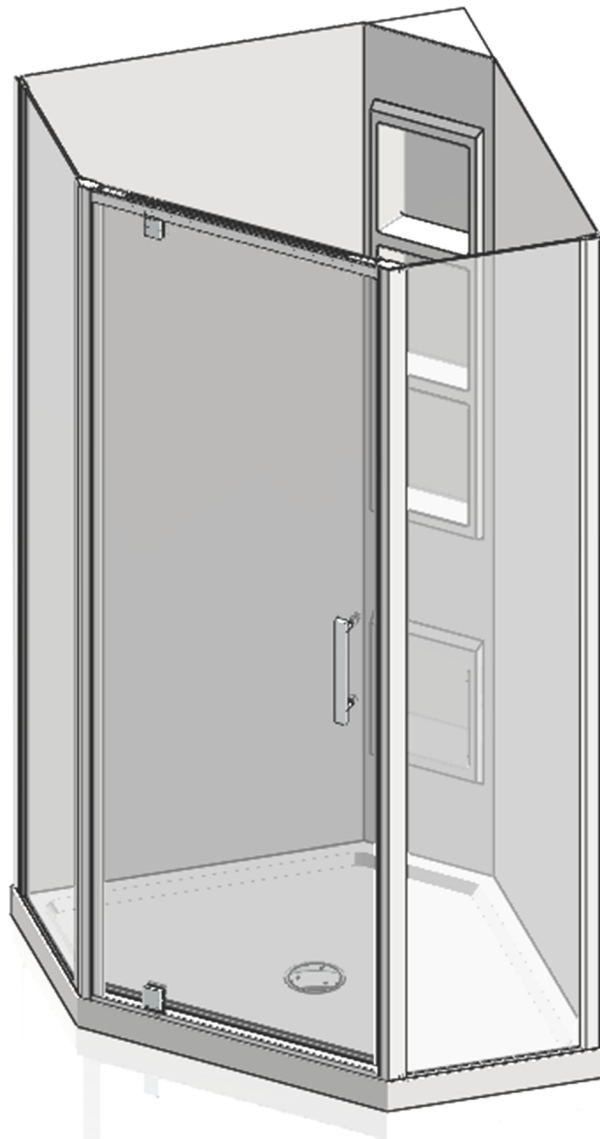


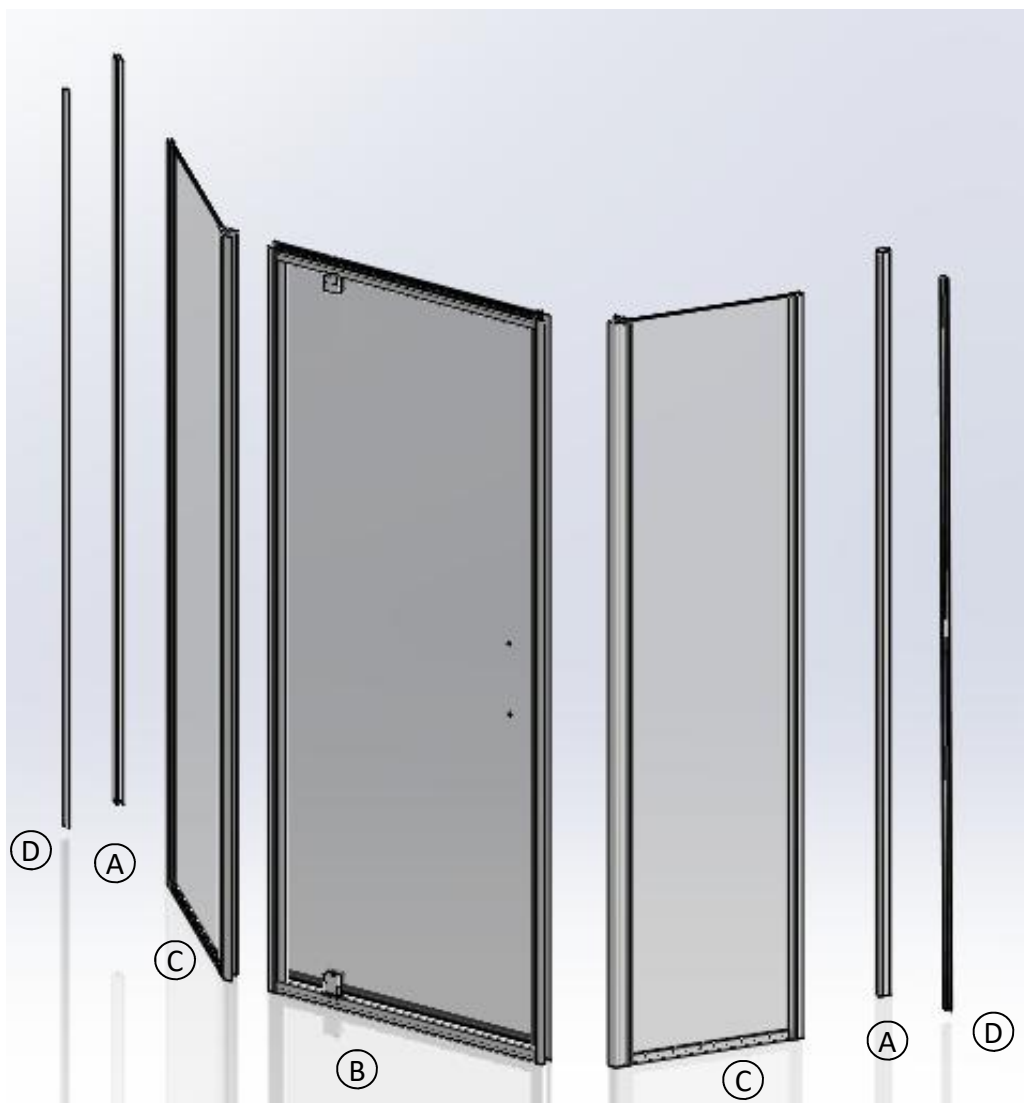


Installation Instructions

Angle Corner



Please read these Instructions carefully



Components

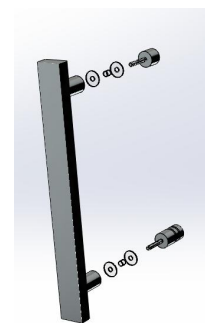
- A –Return Wall Receiver x 2
- B - Door Assembly
- C - Corner Return x 2
- D - Cover Trim x 2 (on Selected Models)

Tools Required

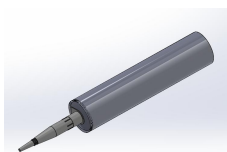
- Drill
- Spirit level
- Tape Measure
- Screw Driver (No.1 Sq drive)
- Caulking Gun
- Masking tape
- Pencil
- Cleaning Cloth

(For shipping purposes the Wall Receivers are packed in the sides of the Return

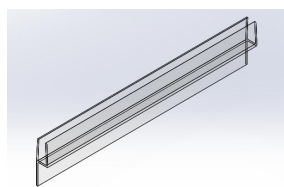
Installation Components



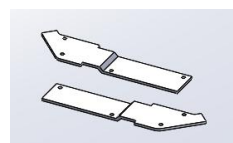
Handle
(where applicable)



Tube of NG Silicone
(Colour matched to shower)



Drip Seal –1m



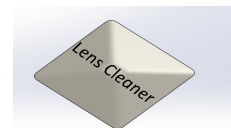
Brackets
Left and Right



No.6 x 38mm
screw Qty 6



Screw Cap
Qty 12

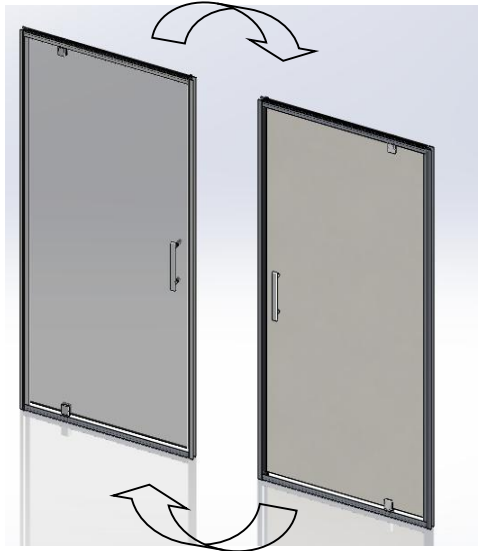


Cleaning Towelette
(White showers only)



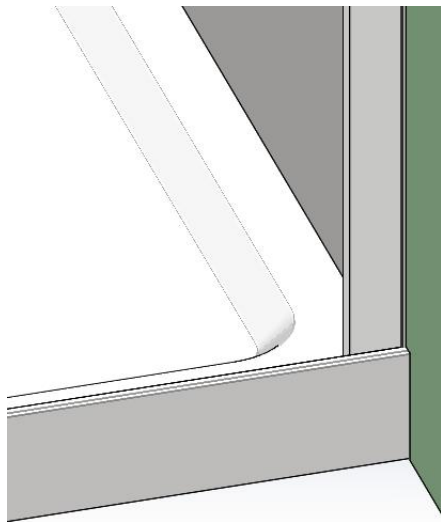
No.6 x 10mm
screw Qty 24

Installation



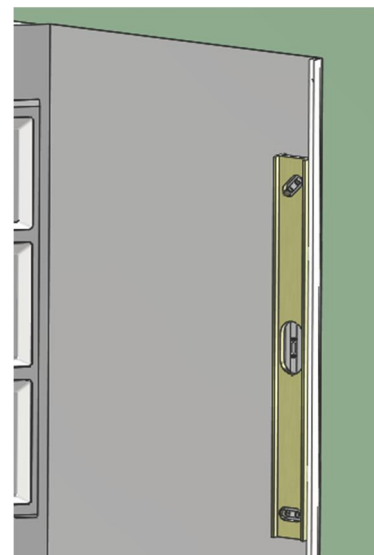
Note:

Your shower Door can be installed to open from the left or right hand side by rotating the door 180 degrees, and the Return Panels can be fitted on either side. You must decide which way the door is to open before starting the installation.



- 1) Position the Wall Receivers hard against the inside edge of the tray upstand. "V" groove line facing towards the inside the shower

NOTE: If the shower walls are to be tiled the Wall Receivers must be installed to the Water proof membrane before tiling. This ensures the doors will fit within the lip of the tray



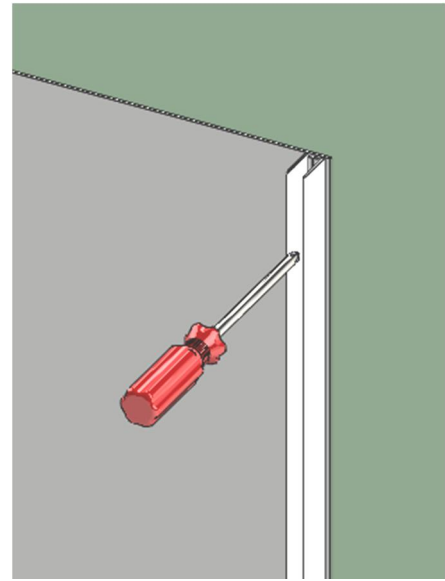
- 2) Plumb up the Wall Receiver using a spirit level. Mark the position with a pencil line.

Repeat on adjacent side for the Return Wall Receiver

Wall Receivers



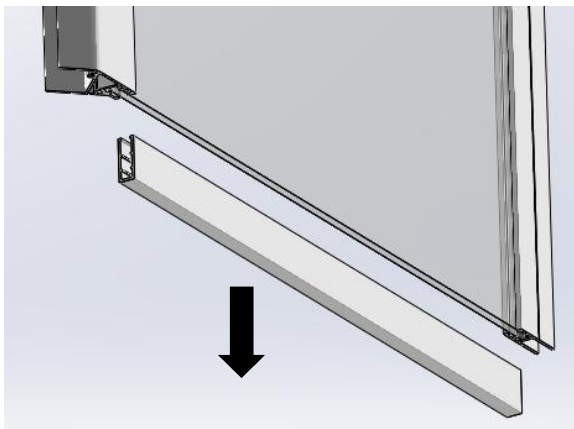
- 3) Pre drill three equally spaced clearance holes (i.e. top, bottom and centre) in the Door & Return Wall Receivers using a 4.5mm drill bit. Reposition the Wall Receivers to the pencil line on the wall. Drill into the wall through the clearance holes using the 3.0mm drill bit. **N.B.** The holes preferably locate into a stud or nog. As an alternative, a toggle system can also be used.



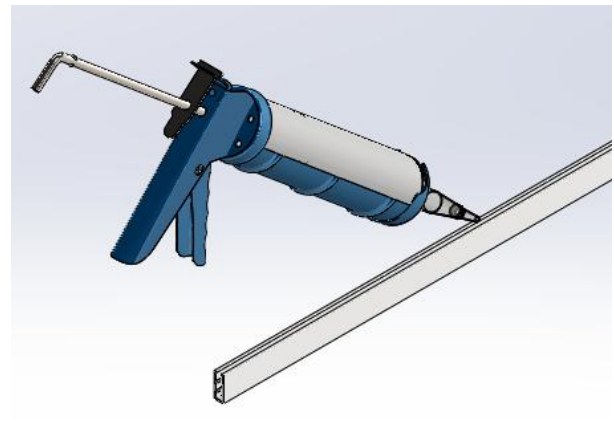
- 4) Secure the Wall Receivers to the walls using the No.6 x 38mm stainless steel screws

NB As a precaution apply silicone into the drilled holes

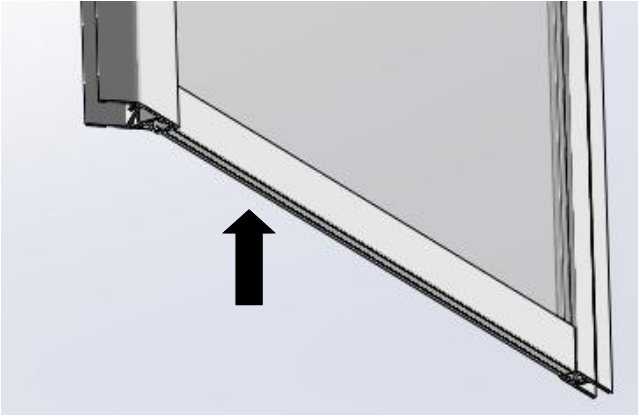
Return Panels



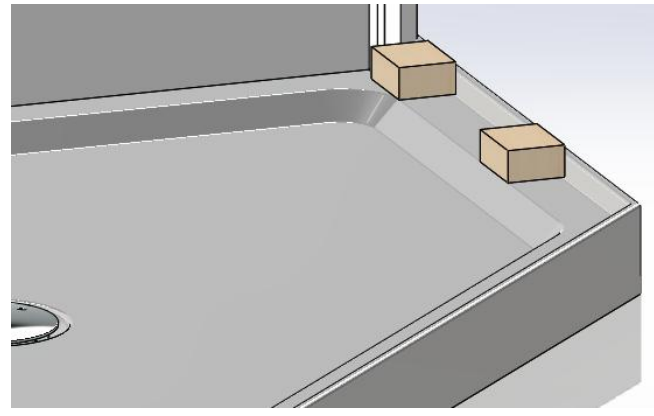
- 5) A Return Sill is supplied with each of the Return panels and is only temporarily clipped to one end of the panel. As the Return panel can be installed left or right hand **it is necessary to remove the sill, apply sealant and attach to the correct end of the Return panel**



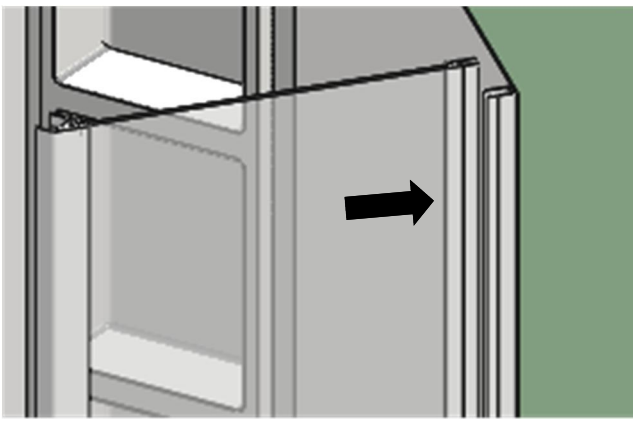
- 6) Apply a small continuous bead of NG Silicone sealant into the bottom of the Return sill channel. **Do not fill** the channel with silicone as this will be excessive and the majority will ooze out making cleanup difficult



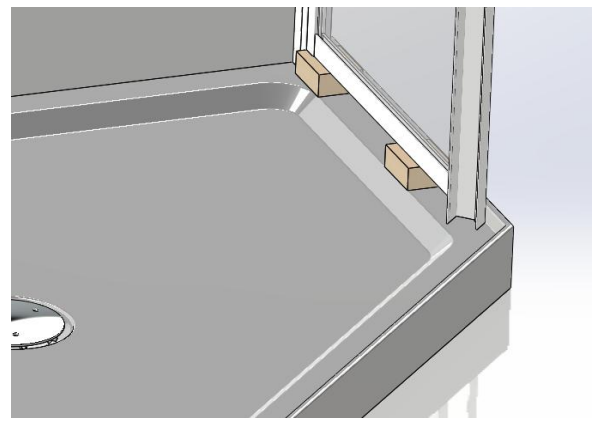
7) Fit the Return Sill to the lower edge of the Return Panel. Carefully wipe away any excess silicone that may ooze out



8) Place 25-50mm Wood packers on the tray (not supplied)



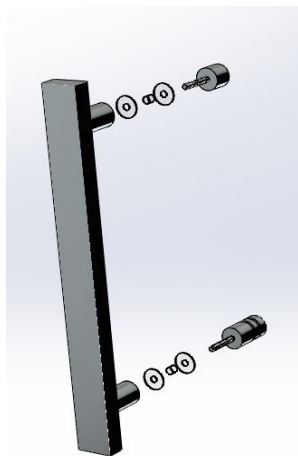
9) Position the Return Panel into the Return Wall Receiver.



10) Slide the return Panel down onto the packers

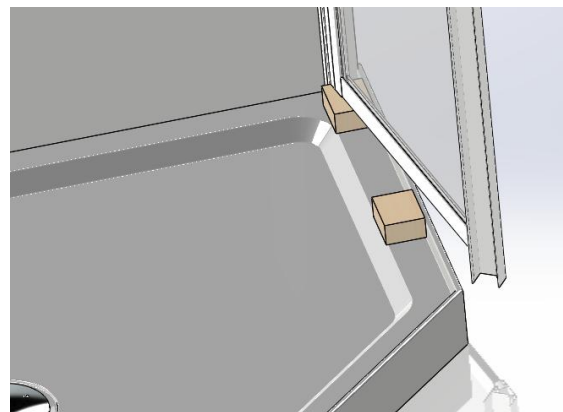
11) Repeat steps 5 – 10 for the adjacent Return Panel

Door Installation

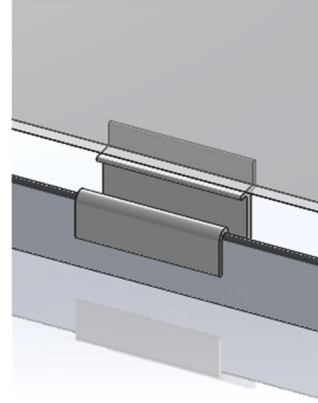
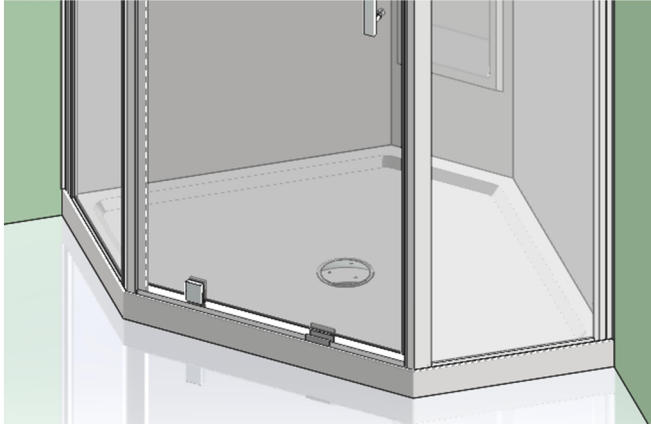


11) Fit the handle to the door (where required). This will assist in the opening & closing during the installation process

Ensure to fit the plastic washers and bush to prevent metal on glass contact

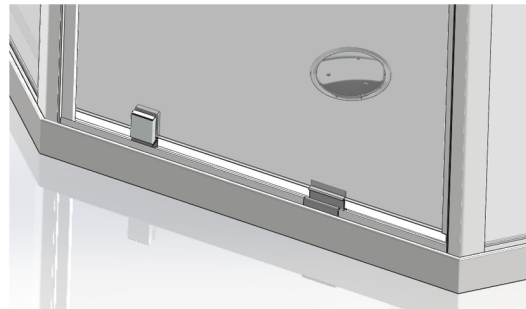


12) Carefully swing the Return Panels outwards



13) Lift the Door up and fit it into the Return Panels taking care to hold it above the front lip of the tray (You will note that as you slide the door onto the Returns , the Return Panels will self align to the inside of the upstand on the tray) Once the Door and Returns are fully engaged let the Door slide gently down inside the upstand of the tray. Do not remove the door setting block, this will assist in supporting the door during installation and setting the correct clearance from the sill

You can now remove the packers from under the Return Panels and allow them to slide gently down onto the tray.



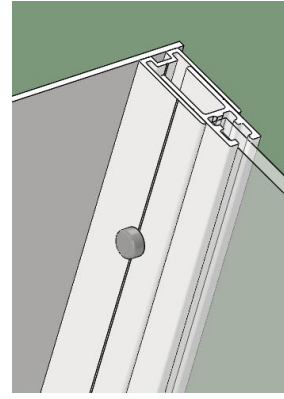
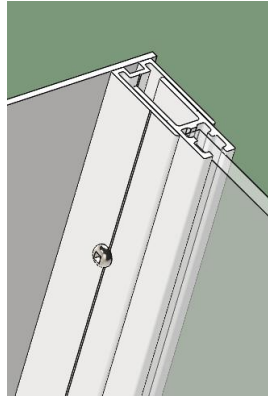
14) For Sureseal trays the Door and Return Panels should be close to the inside edge of the tray's upstand as possible

For other applications, check that the doors are parallel with the front edge of the tray.

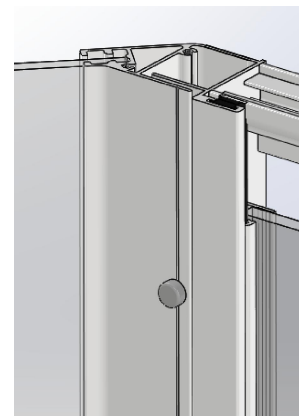
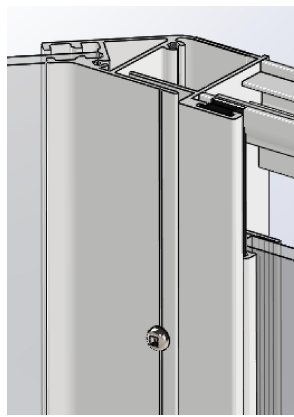
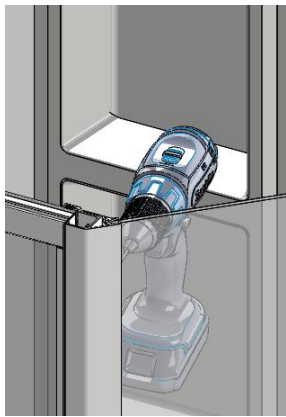


15) Adjust the Door set ensuring the corner posts line up with the corners of the tray and that they are sitting plumb and level.

Secure the Door Set (All Screw fixings are made from the Inside)

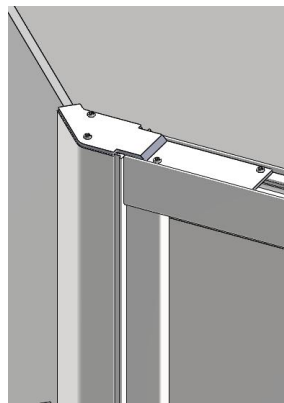


18) Using a 3.0mm drill bit, drill through the Wall Receiver sections and into the Return frames. (Use the “V” groove line as a guide). Secure the Door set together using the No.6x10 Screws. Cover the screw heads with the Cover caps



19) Repeat for the Corner posts into the Door frame

Brace Brackets

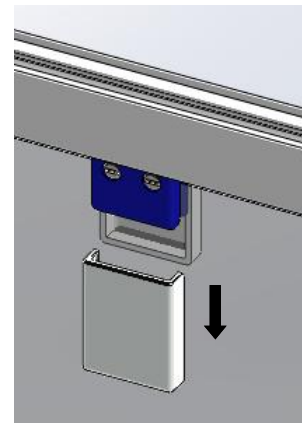


20) Position left and right hand corner brackets over the Corner posts

Using the No.6 x 10 screws secure the brackets into the screw ports of the Corner Post. For the remaining holes drill through the bracket holes into the Door profile (3.0 mm drill bit) and fix in place using No.6 x 10mm screws

No Cover caps are required for these screws

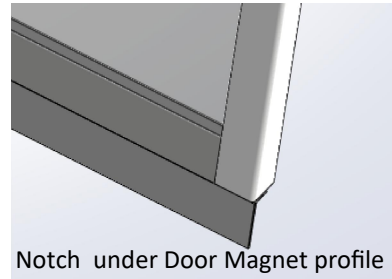
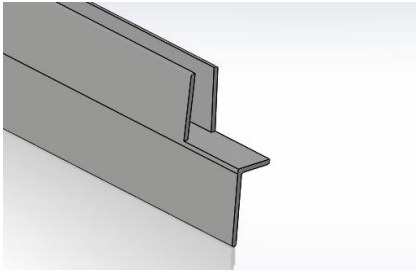
Adjust the Door



21) Slide the outside Clamp Block Covers off the Pivot Clamp. Using a flat blade screwdriver sufficiently loosen the two screws, adjust the door by sliding left or right in the pivot

Once the door adjustment is complete ensure the screws are retightened and reinstall the Clamp Block Covers. Open the door and remove the door setting block

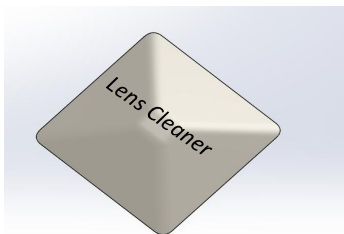
Drip Seals



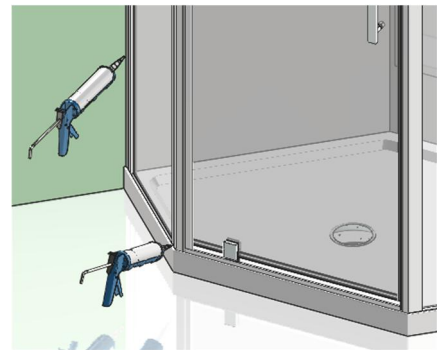
22) The Drip seal is supplied in a 1m length, this will need to be cut to the desired lengths for each side of the pivot . The opening side Drip seal will also need to be notched to fit under the door magnet profile. Make the Notch 13mm in length and finishing down to the horizontal ledge of the drip seal

23) Fit the Drip Seals to the glass door

Sealing the Shower



24) For White Showers only - take the Cleaning Towelette and wipe the surfaces of the Powder coated profiles where Silicone will be applied Allow to dry (1-2 minutes)



25) The Door and Returns can now be sealed in place using silicone sealant. Ensure all surfaces are first cleaned with dry clean cloth. Seal between the tray upstand and the door set along the bottom outside edges. Seal vertically between the Wall Receivers and Wall Liner

Note MASKING the area to be Sealed will result in a superior finish

IMPORTANT: DO NOT apply sealant to the inside of the shower

26) Cover Trim– (selected models only)

The Cover Trim is provided to cover the exposed vertical edge of the wall liner and is the final step of the installation. For some installations the Cover trims may require cutting to length

To fit the Cover trim apply small vertical beads of silicone down the Wall Receiver and the exposed wall lining outside of the Wall Receiver. Embed the Cover trim into the silicone. If the

27) Your Shower is now complete. Allow a Sealants to cure for a minimum of 24 hrs

