

DESCRIPTION

Stainless Steel Inset Laundry Sink 500

PRODUCT CODE

5045



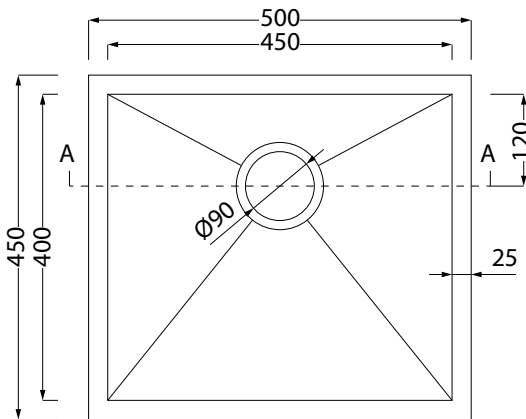
FEATURES

- Dimensions - W 500 x H 228 x D 450mm
- Integrated undermount stainless steel laundry sink.
- Pair with our Laundry Cabinets with Kordura top, available in a variety of sizes and finishes.
- Includes a convenient basket waste.
- Tub water capacity: 36L to overflow, 43L to top.
- Stainless Steel 304.
- NB: Designed for laundry cabinets only (not sold separately).

TECHNICAL DRAWINGS

Top

Front



NOTES

• Tapware & accessories not included. • Drawing indicates the technical measurement only and is not a reflection of how the product will look. Sizes nominal only. Drawings in millimetres. Not to scale. July 2021.