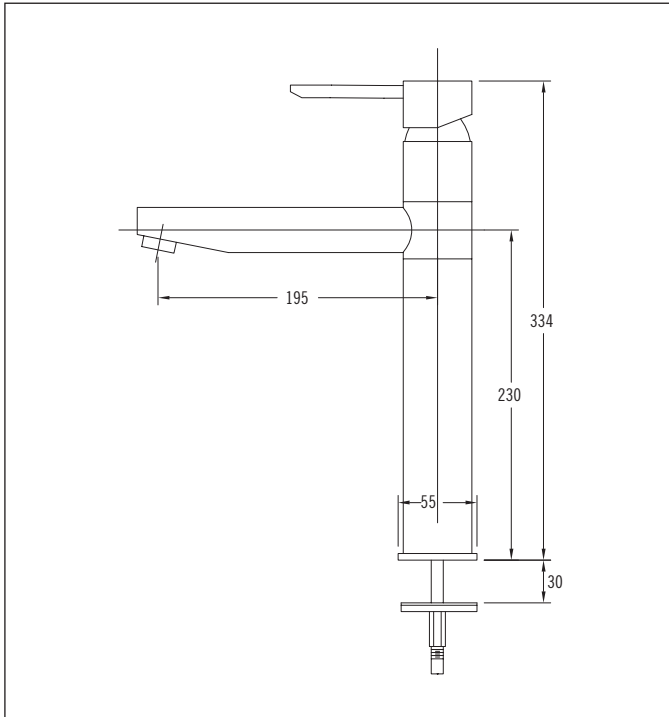


Sink Mixer



- Code: X1 SM
- Finish: Chrome
- Spout: Swivel 360°
- Aerator and water director supplied
- Stainless Steel Inlet Hoses:

Hot:	I/D: 9.5mm	Size:	M16 x 1/2" BSP
		Length:	380mm
Cold:	I/D: 6.5mm	Size:	M12 x 1/2" BSP
		Length:	380mm
- Metal Base Ring supplied with O-ring seal
- Mounting Hardware:

Studs:	1 x 8mm
Nut:	11mm A/F
Horseshoe Washer	
- Installation Hole Diameter:

Minimum:	34mm
Maximum:	42mm
Recommended:	34mm
- Cartridge:

Mondo 40K	Flat base
-----------	-----------

Handy Tip: For unequal pressure systems adjust the isolator filter stops supplied

Equal and unequal pressure systems

Recommended Pressure
 Operational Range:
 Minimum: 35 kPa
 Recommended: 600 kPa
 Never to Exceed: 1000 kPa
 Maximum Operating Temperature: 70°C

Aquatica Warranty

Aquatica NZ Limited offer, from the date of purchase, a 2 year warranty on handshowers, a 5 year warranty on tapware and accessories and a lifetime warranty on stainless steel sinks.

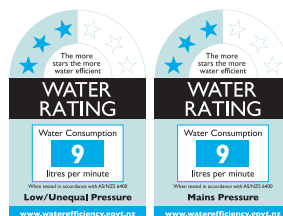
Aquatica NZ Limited warrants that only high quality workmanship and materials have been employed in the manufacture of its tapware, accessories and stainless steel products. If any faulty workmanship or materials is proven during the warranty period, Aquatica NZ Limited will at its own cost repair, or at its option replace, the faulty product.

The guarantee is non-transferable and proof of purchase is required.

The use of spray or abrasive cleaners of any kind will void the warranty. (Tapware should only be cleaned with a mild detergent and a soft damp cloth).

Failure to use an in-line strainer or filter on lines to tapware incorporating a ceramic cartridge or ceramic disc mechanism may also void the warranty.

Every effort has been made to show the products as they will be sold, however, all models and specifications are subject to change without notice.



Aquatica NZ Limited

9 Saunders Place,
 Avondale, Auckland.
 Tel: 09-828 2068,
 Fax: 09-828 2069
 Email: info@aquatica.co.nz
 or visit our website:
 www.aquatica.co.nz