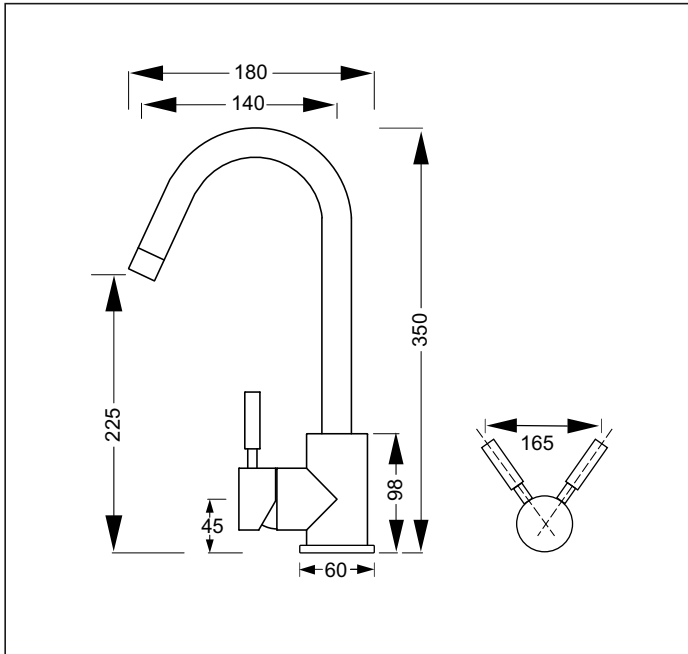


Zento

Gooseneck Sink



Aquatica Warranty

Aquatica NZ Limited offer the following warranty periods on its range of tapware from the date of purchase.

Residential Use

- Tapware - 5 year warranty
- Handshowers, Shower Roses – 2 year warranty
- Pull-out Sprays and spray heads on Sink Mixer Coils – 2 year warranty
- Commercial tapware – 2 year warranty

Commercial Use

- Tapware - 1 year warranty
- Handshowers, Shower Roses – 1 year warranty
- Pull-out Sprays and spray heads on Sink Mixer Coils – 1 year warranty

Only high quality workmanship and materials have been used in the manufacture of Aquatica's tapware. If any workmanship or material is proven faulty during the warranty period, Aquatica NZ Limited will, at its own cost or option, repair or replace the faulty product.

The warranty is transferable but the original proof of purchase from an authorised Aquatica distributor is required for all claims.

Aquatica's liability will not extend to damage caused by reasonably foreseeable loss such as inappropriate materials in a wet area ie. floating wooden floors.

Waterlines to tapware incorporating a ceramic cartridge or ceramic disc mechanism should have an inline strainer or filter fitted. Absence of these may void the warranty.

Any suspected defect must be notified to Aquatica as soon as possible after discovery. All repair work must be performed by a plumber who has received authorisation from Aquatica prior to proceeding with the work. Aquatica may immediately authorise repair work to be undertaken, however, this is not necessarily acceptance of liability.

Aquatica guarantee that the tapware will be able to handle temperatures up to a maximum of 80°C.

Water pressure up to 1000 kPa is the maximum limit for the tapware. Above this the warranty will become void.

Serial numbers or tags should not be removed from the products as they are essential in establishing warranty.

Aquatica NZ Limited

9 Saunders Place,
Avondale, Auckland.

Tel: 09-828 2068,
Fax: 09-828 2069

Email: info@aquatica.co.nz
or visit our website:

www.aquatica.co.nz

© copyright Aquatica 2016

Code: ZN SM GNECK

Finish: Chrome

Spout: Cast, Swivel 360°

Water Outlet: Standard PCA 8 l/min

Stainless Steel Inlet Hoses:

Hot: Size: M10 x 1/2" BSP
Length: 400mm

Cold: Size: M10 x 1/2" BSP
Length: 400mm

Base Ring Diameter: 60mm

Installation Hole Diameter: Minimum: 32mm
Maximum: 36mm
Maximum bench thickness: 30mm:

Mounting Hardware: Stud: 2 x 6m
Nut: 9mm

Base Seal: Custom moulded seal

Cartridge: Mondo 40K Plus Raised base

Note: Special tool required to remove cartridge

Suitable for mains pressure only

Recommended Operational Pressure Range: 150 - 600 kPa
Maximum Operating Temp: 80°C Never to Exceed: 1000 kPa

