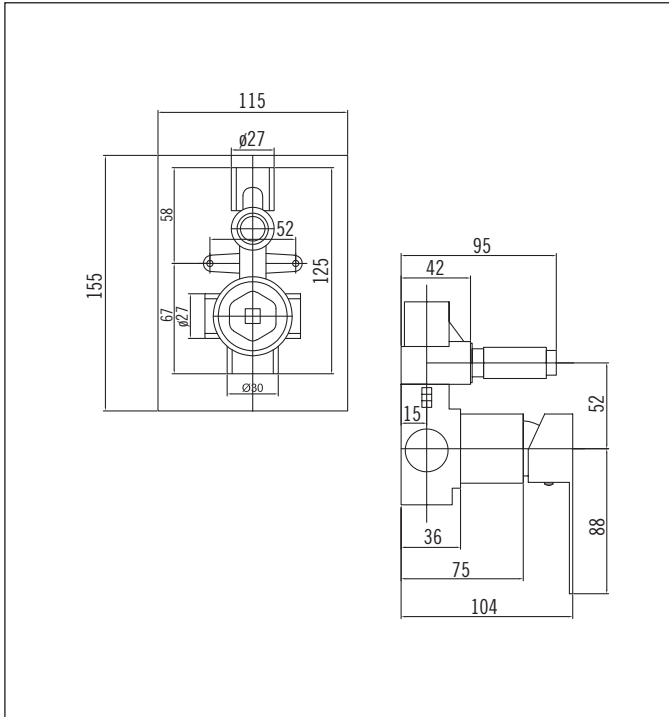


Shower Mixer with Divertor



Code: OB SHMBD CP
Finish: Chrome

Faceplate: 115mm x 155mm
Barrel Diameter: 42mm
Divertor barrel diameter: 19mm
Centre to centre (mixer to divertor): 52mm

Backset: (Mounting board to front of lining)
Minimum: 55mm
Maximum: 70mm
Recommended: 60mm

Installation Hole: Minimum width: 43mm
Minimum height: 83mm

3 wingbacks supplied (not shown)

Cartridge: Mondo 35K Flat base

Divertor type: Auto
Operation: Push button
Default outlet: Lower 3/4" BSP Female

Mains pressure only

Recommended Pressure
Operational Range:
Minimum: 150 kPa
Recommended: 600 kPa
Never to Exceed: 1000 kPa
Maximum Operating
Temperature: 70°C

Aquatica Warranty

Aquatica NZ Limited offer, from the date of purchase, a 2 year warranty on handshowers, a 5 year warranty on tapware and accessories and a lifetime warranty on stainless steel sinks.

Aquatica NZ Limited warrants that only high quality workmanship and materials have been employed in the manufacture of its tapware, accessories and stainless steel products. If any faulty workmanship or materials is proven during the warranty period, Aquatica NZ Limited will at its own cost repair, or at its option replace, the faulty product. The guarantee is non-transferable and proof of purchase is required.

The use of spray or abrasive cleaners of any kind will void the warranty. (Tapware should only be cleaned with a mild detergent and a soft damp cloth).

Failure to use an in-line strainer or filter on lines to tapware incorporating a ceramic cartridge or ceramic disc mechanism will also void the warranty. In the Bay of Plenty (or any area with a high mineral content) failure to install a 1 micro carbon block cartridge may void the warranty.

Every effort has been made to show the products as they will be sold, however, all models and specifications are subject to change without notice.

Aquatica NZ Limited

9 Saunders Place, Avondale, Auckland.
Tel: 09-828 2068, Fax: 09-828 2069
Email: info@aquatica.co.nz or
visit our website: www.aquatica.co.nz