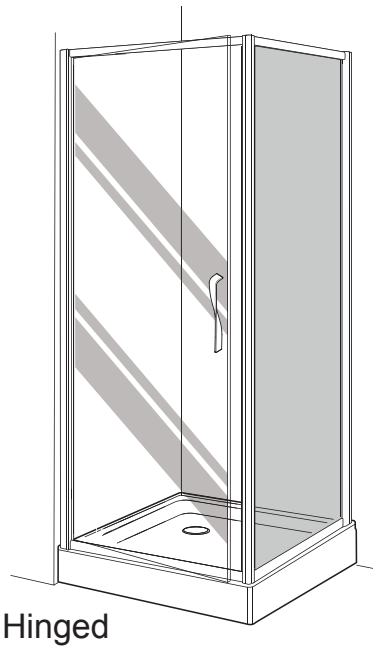
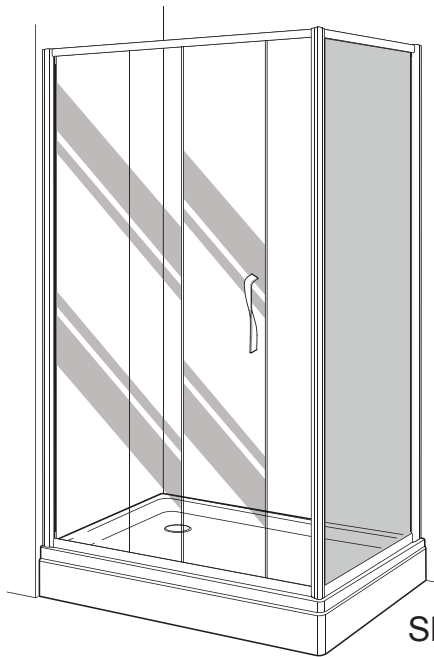


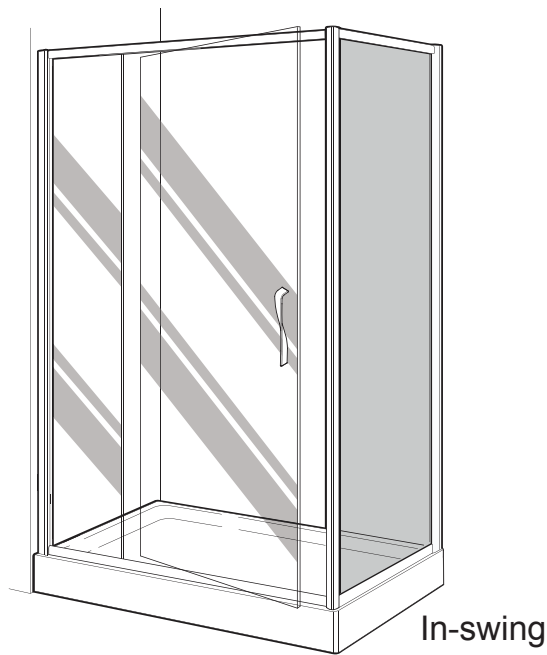
Torsion Side Panel



Hinged



Sliding



In-swing

These instructions must be left with the user

Installation Guide

KOHLER[®]

INTRODUCTION

Thank you for purchasing a quality KOHLER product. To enjoy the full potential of your new product, please take time to read this guide thoroughly, having done so, keep it handy for future reference.

The following pages aim to provide comprehensive installation instructions, plus advice on how to care and maintain your product.

We recommend that the unit is installed by a qualified shower installer or plumber.

General

1. Read all of these instructions and retain this guide for later use.
2. Pass on this guide in the event of change of ownership of the installation site.
3. Follow all warnings, cautions and instructions contained in this guide.
4. Remove all protective tape from the enclosure before installation.

GENERAL INFORMATION

Safety Information

1. Care should be taken to avoid hidden pipes or wires when drilling into walls and floors.
2. We strongly recommend that all glass panels are moved by a minimum of two people and that any protective packaging along the glass edges is kept in place for as long as possible to prevent damage before installation.
3. During installation we recommend additional help in lifting heavy doors and side panels.
4. Wear protective footwear when lifting panels.
5. Wear safety glasses when drilling.

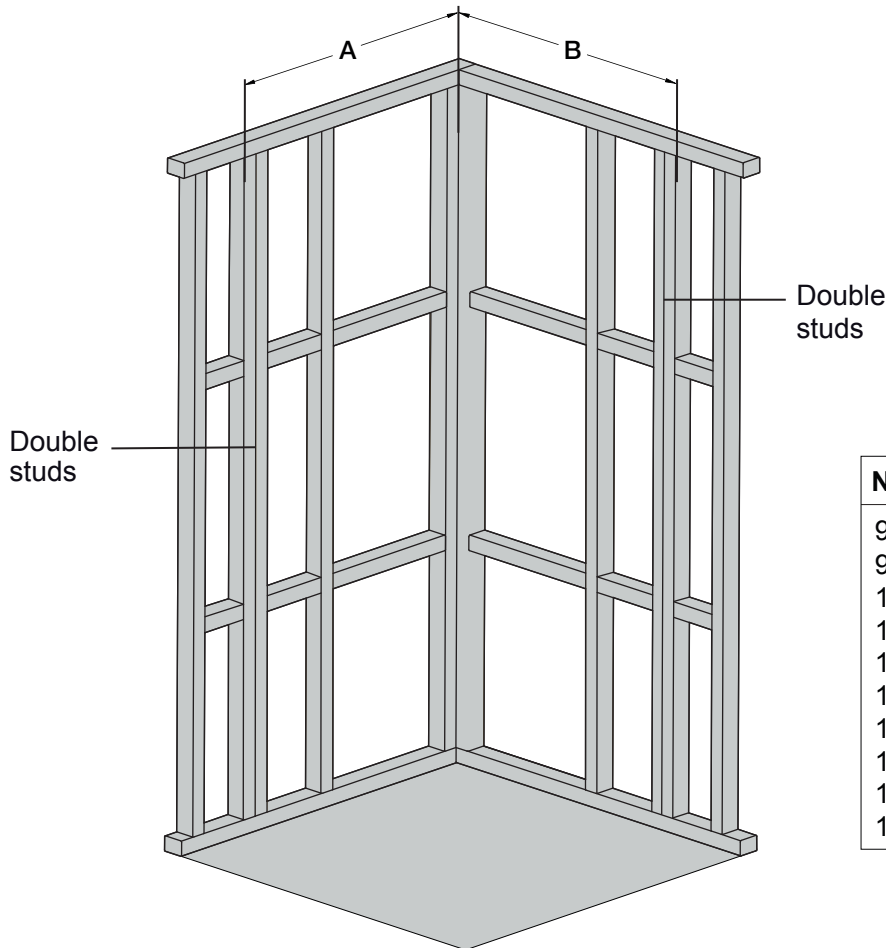
Attention

1. Ensure the door is undamaged and no parts are missing.
2. Ensure the panel size is suitable for the installation. Tempered glass cannot be cut.
3. The wall retainers must be installed onto a waterproof, vertical and flat wall surface. Failure to do so will result in an unsatisfactory seal, which may cause property damage. The wall inclination (out-of-squareness) should be out by no more than $\pm 4\text{mm/m}$.
4. It is the responsibility of the INSTALLER to ensure that the installation complies with council and/or local authority bylaws.
5. Instructions, drawings and diagrams contained in this manual present information available at the time of printing. Although every attempt has been made to keep them up-to-date, KOHLER reserves the right to implement product changes without further notice.

CONSTRUCTION REQUIREMENTS

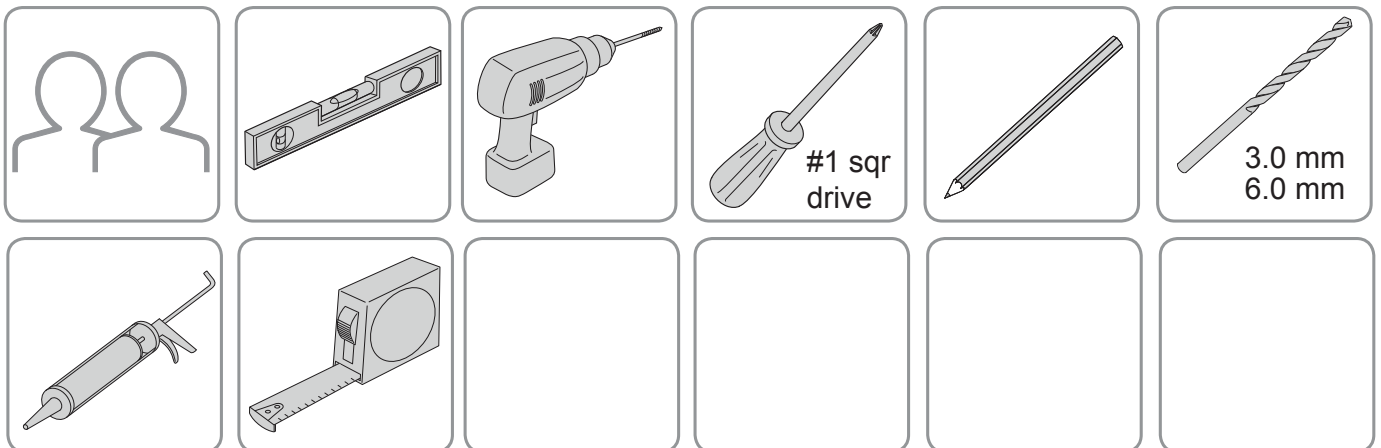
Attention

Due to the weight of the glass panels, KOHLER strongly recommends fixing the wall retainers to double studs in the wall framing.



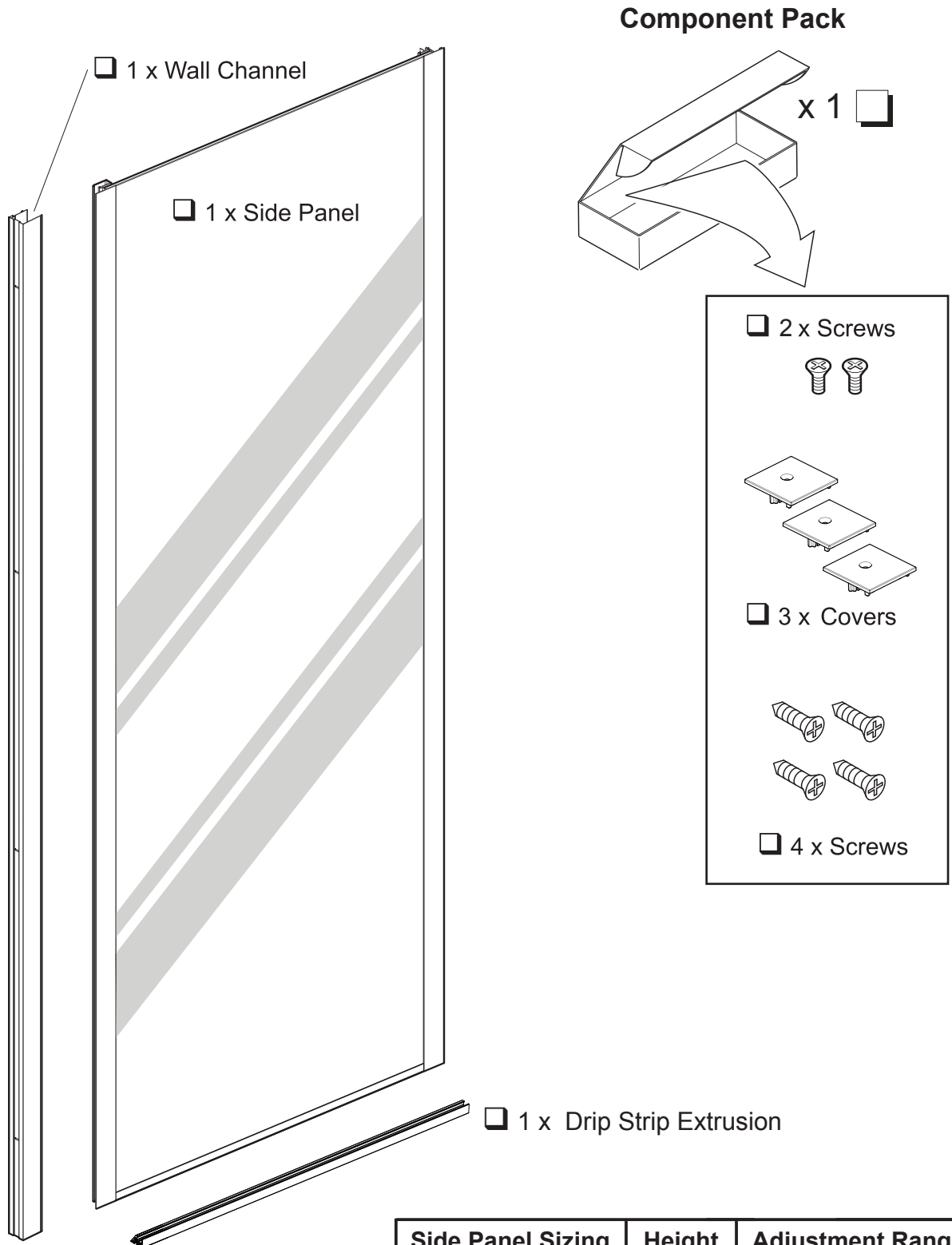
Nominal Size	Dim "A"	Dim "B"
900 x 900	900	900
900 x 1000	900	1000
1000 x 900	1000	900
1000 x 1000	1000	1000
1200 x 900	1200	900
1200 x 1000	1200	1000
1500 x 900	1500	900
1500 x 1000	1500	1000
1800 x 900	1800	900
1800 x 1000	1800	1000

TOOLS REQUIRED



PACK CONTENTS

Tick the appropriate boxes to familiarise yourself with the part names and to confirm that all of the parts are included.



Side Panel Sizing	Height	Adjustment Range
900mm	2000mm	874 ± 10mm
1000mm	2000mm	974 ± 10mm

INSTALLATION OPTIONS

Note This shower enclosure is designed to be installed onto tiled floor and walls. However, an acrylic tray installation may also be possible. Please refer to all applicable documentation before proceeding.

OPTION 1 - Tiled Wall & Floor

The door and return can be installed directly onto the wall and floor tiles.

Proceed to page 6, Installation.

OPTION 2 - Tiled Wall & Acrylic Tray

Tray: For tray installation refer to the instructions supplied with the tray.

Wall: The vertical wall retainers **MUST** be installed onto the waterproof membrane **PRIOR TO WALL TILING**. If possible, the complete door/return system should be installed onto the waterproof membrane prior to wall tiling.

CAUTION: Failure to install the wall retainers first may mean the door system may not fit on the shower tray due to the tile thickness.

The design of the wall retainer allows for tiling even if not installing the complete door system first. The installer can still tile up to the wall retainer as the cover extrusion fits in from the front.

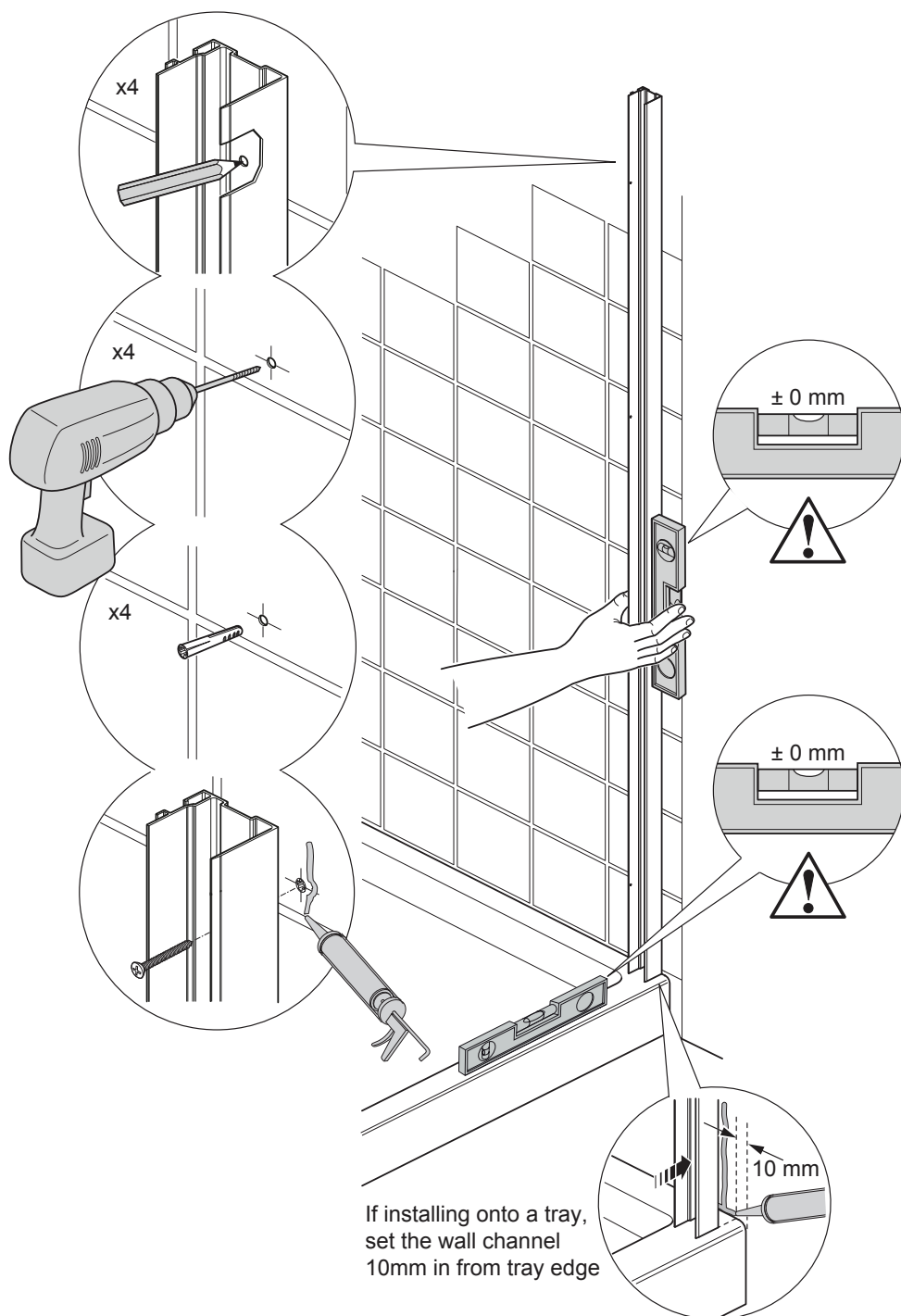
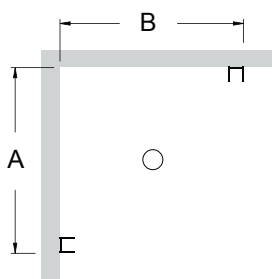
Proceed to page 6, Installation.

INSTALLATION

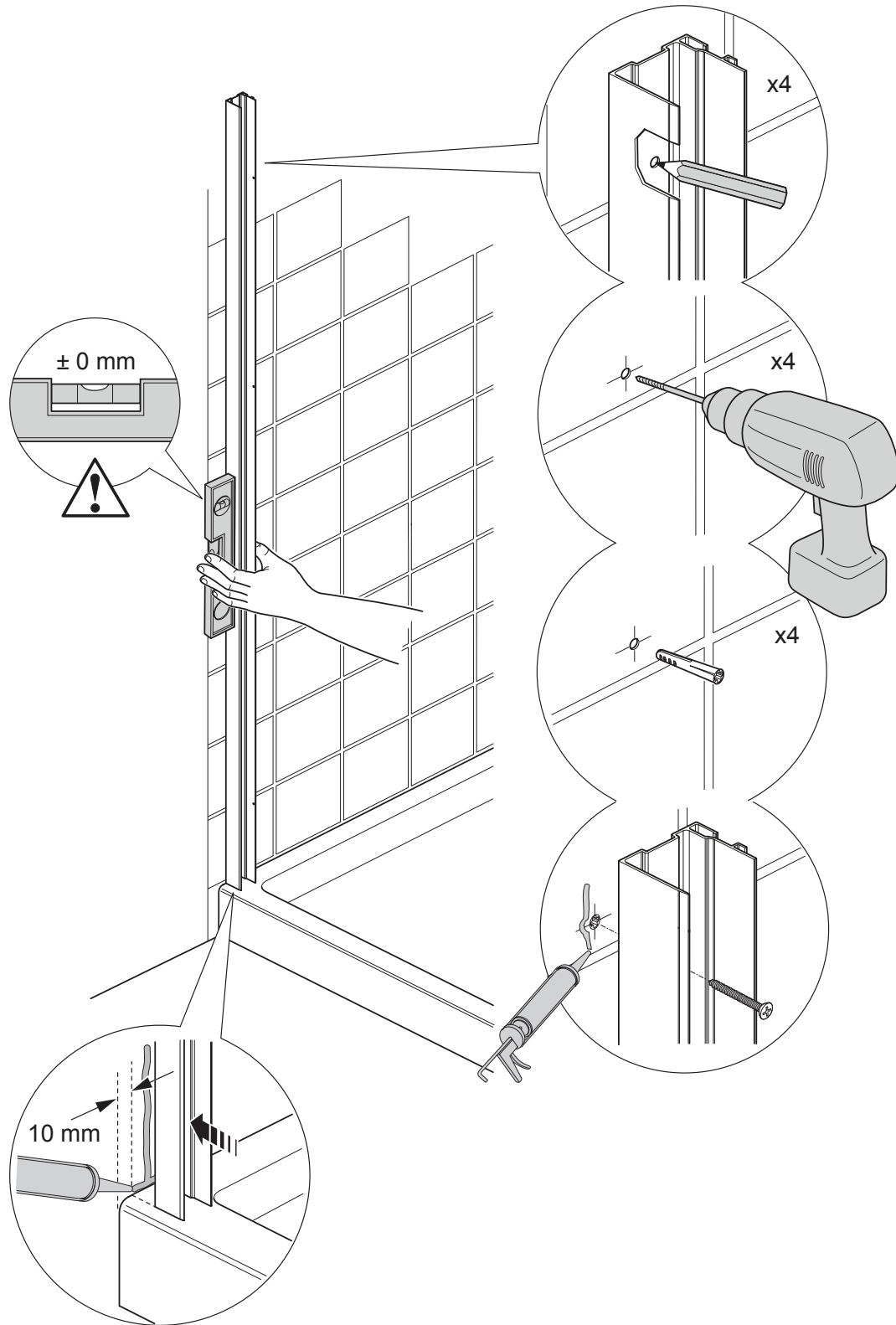
1

If installing onto a tiled base, mark from finished wall to outer edge of wall retainer:

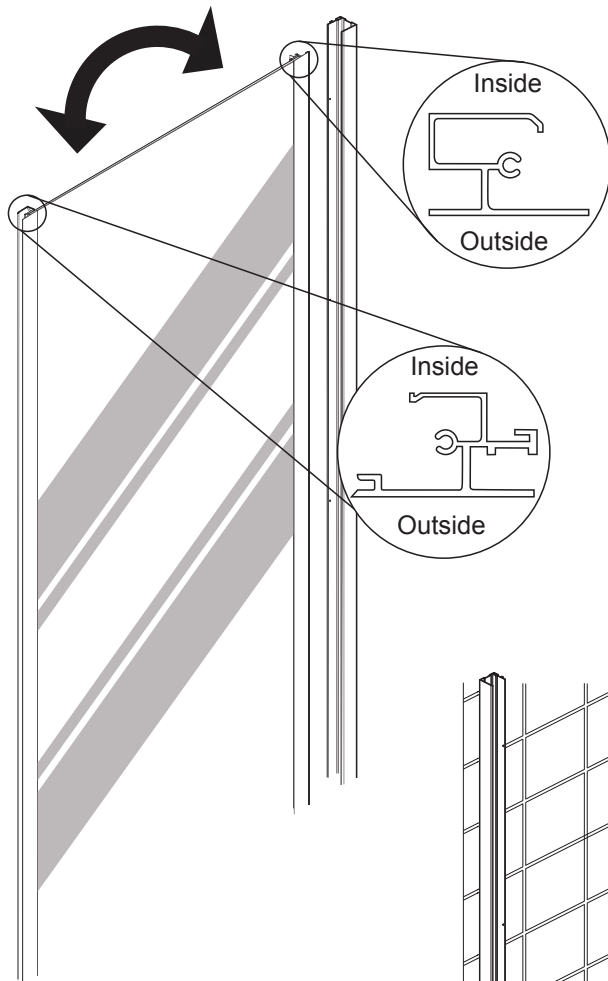
Nominal Size	A	B
900 x 900	875	875
900 x 1000	875	975
1000 x 900	975	875
1000 x 1000	975	975
1200 x 900	1175	875
1200 x 1000	1175	975
1500 x 900	1475	875
1500 x 1000	1475	975
1800 x 900	1775	875
1800 x 1000	1775	975



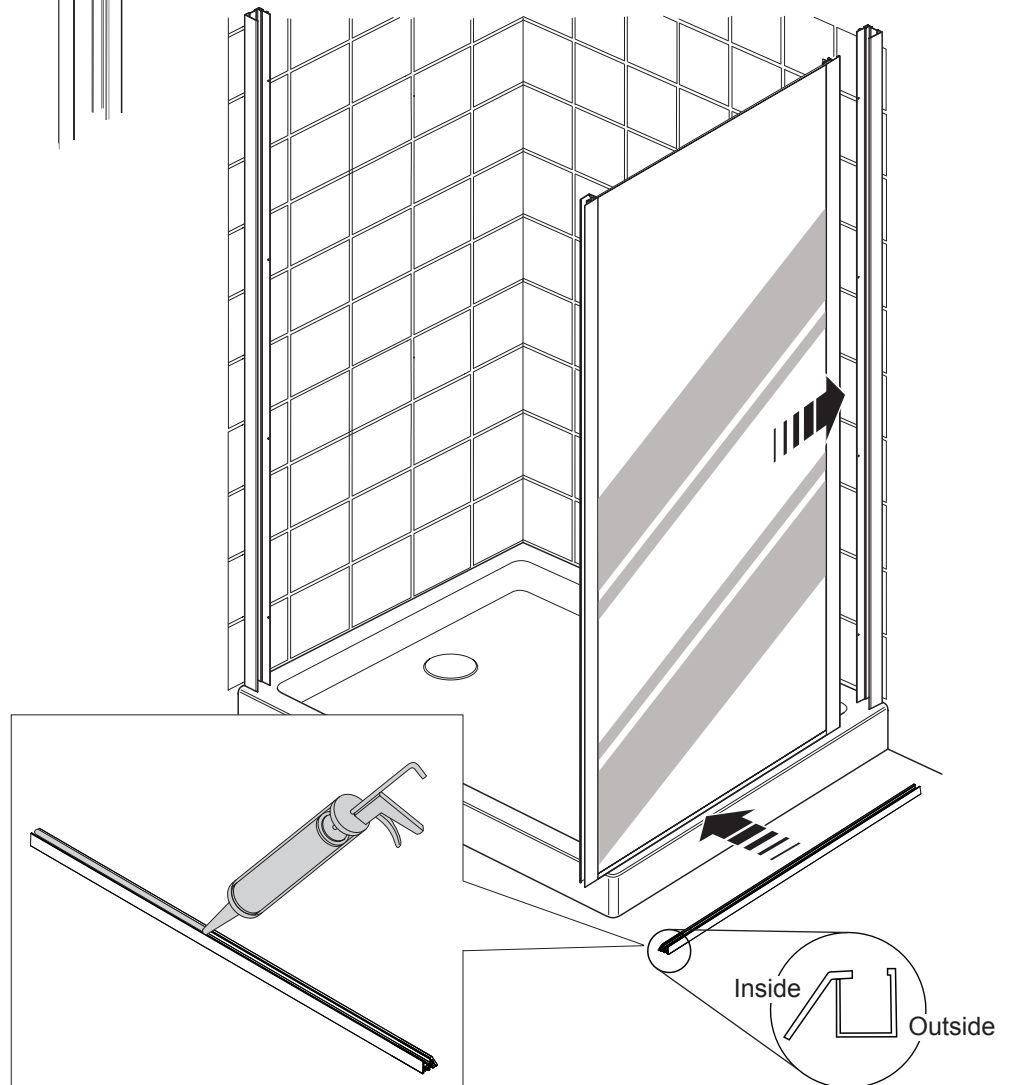
- (a) Ensure that the tiled floor or tray is level, and walls are vertical and square.
- (b) Position the side panel wall channel on wall. Use a level to ensure it is upright.
- (c) Mark the position of the fixing holes, then remove the wall channel.
- (d) Drill the holes and insert the wall plugs if required.
- (e) Position wall channel on the wall and partially install fixing screws (supplied).
- (f) Apply silicone sealant according to the manufacturer's instructions along the length of the wall and at the bottom of wall channel. Remove excess sealant.
- (g) Fully tighten the fixing screws, making sure that the wall channel is upright.



- (a) Position the door wall channel on wall. Use a level to ensure it is upright.
- (b) Mark the position of the fixing holes, then remove the wall channel.
- (c) Drill the holes and insert the wall plugs if required.
- (d) Position wall channel on the wall and partially install fixing screws (supplied).
- (e) Apply silicone sealant according to the manufacturer's instructions along the length of the wall and at the bottom of wall channel. Remove excess sealant.
- (f) Fully tighten the fixing screws, making sure that the wall channel is upright.

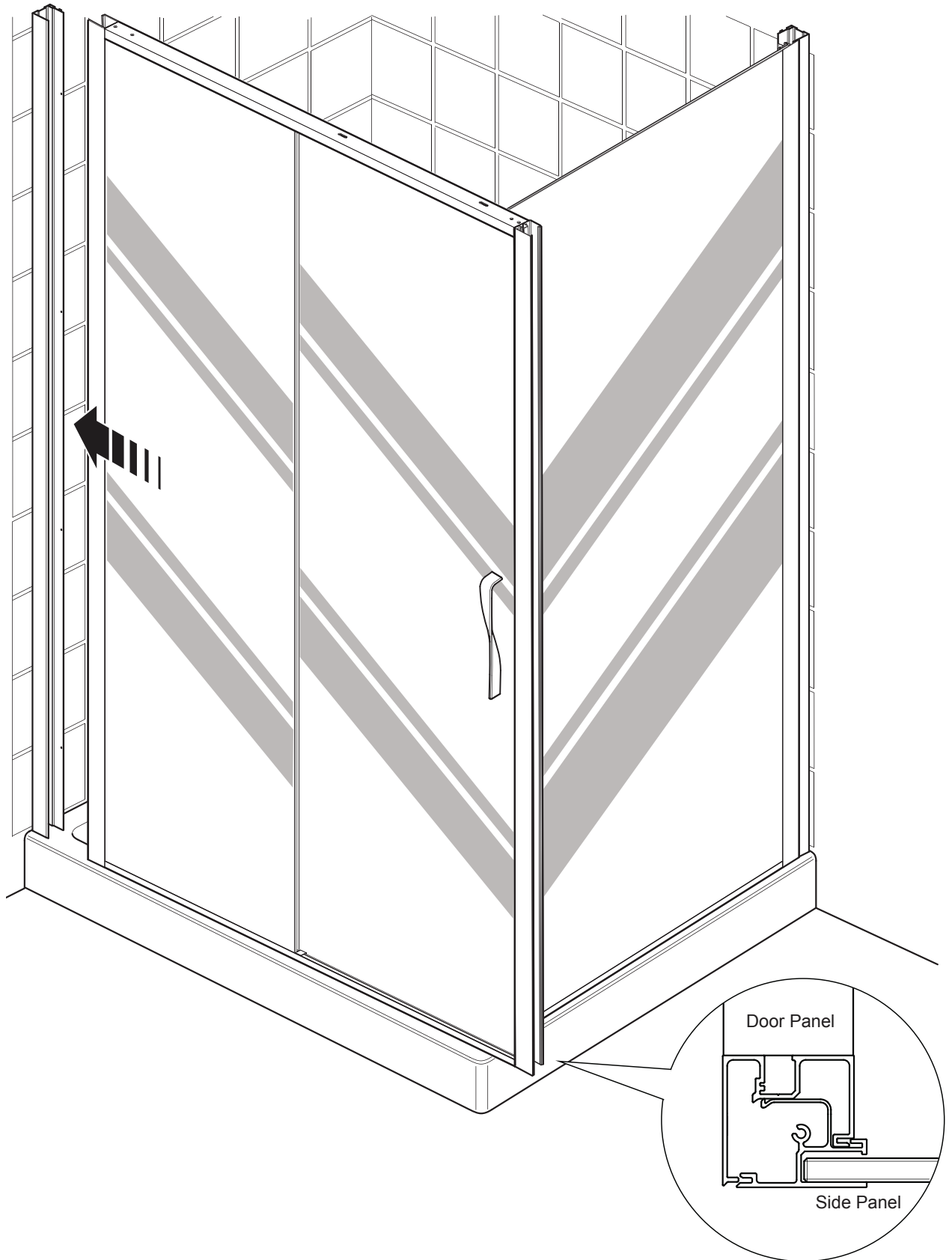
3

Note! The panel is reversible to suit your enclosure design. Turn through 180°, end over end, to change it from left to right-hand.

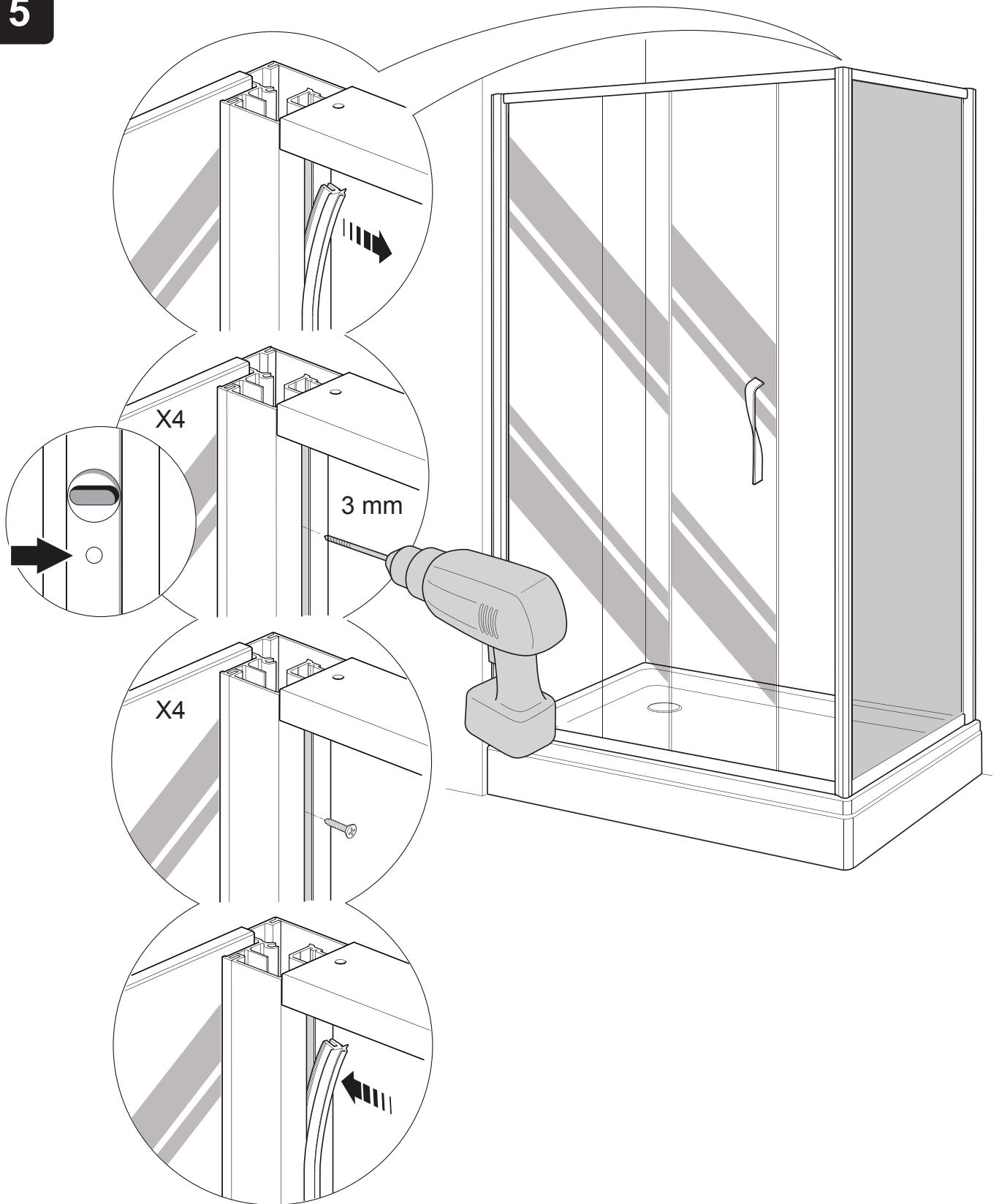


- (a) Put a bead of silicone sealant in the slot in the drip strip and install the drip strip to the bottom of the side panel. **Note!** Ensure that the angled edge of the drip strip faces toward the inside of the enclosure.
- (b) Install the side panel inside the wall channel and hold in position.

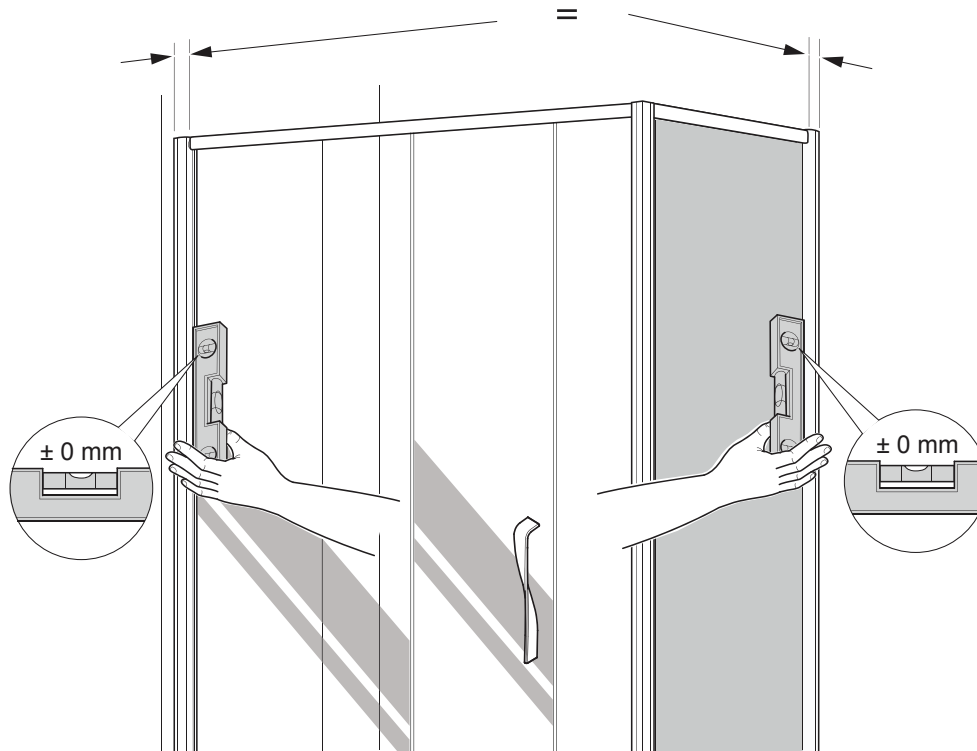
4



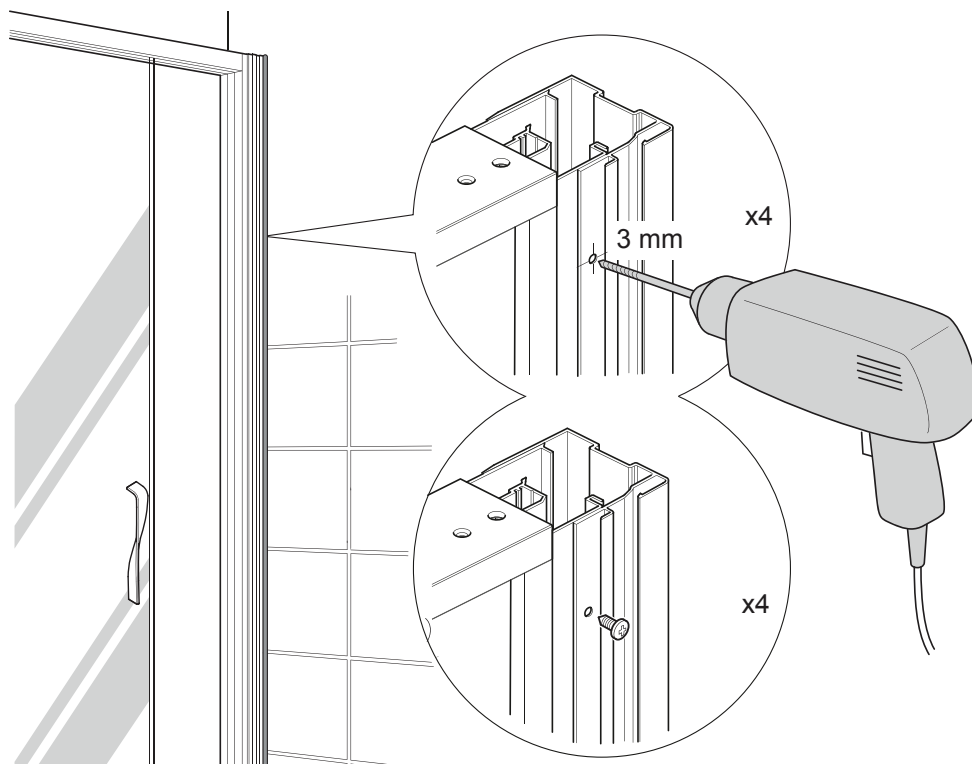
- (a) Install the door frame into the other wall channel. **Refer to the installation instructions supplied with door.**
- (b) Adjust the door frame so that it is in the correct position.
- (c) Make sure that the corner post engages correctly.

5

- (a)** Open the door and remove the rubber sealing strip.
- (b)** Drill four 3 mm holes through the four guide holes in the seal channel and panel frame, with the 3 mm HSS drill (supplied).
- (c)** Install the fixing screws.
- (d)** Fully tighten the fixing screws, making sure that the corner post is upright.
- (e)** Refit the rubber sealing strip.

6

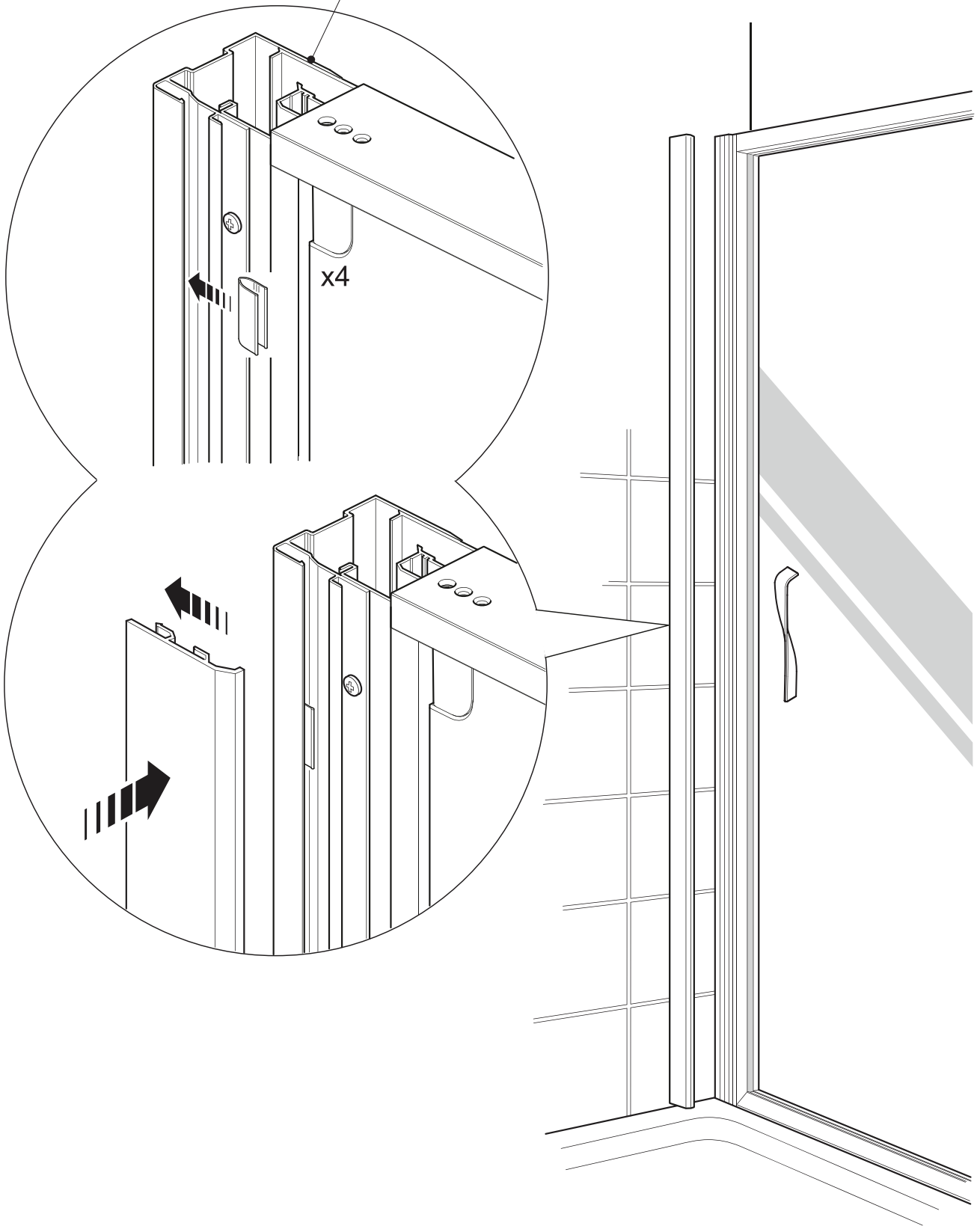
- (a)** Centralise the door frame within the wall channels, making sure that the door frame is square.



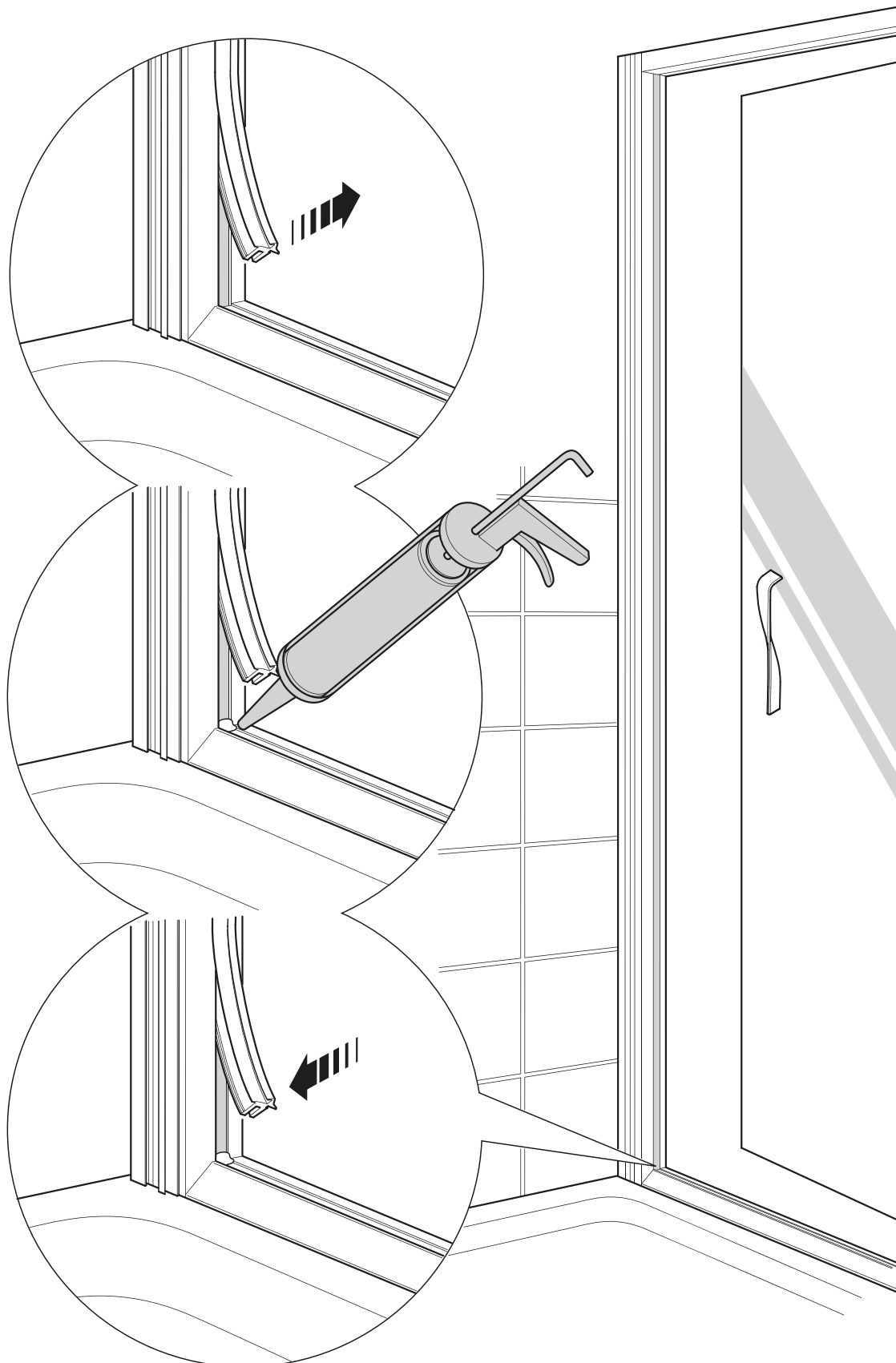
- (b)** From inside the shower enclosure, use the supplied 3mm HSS drill bit to drill four 3mm holes in the wall channel and into the door frame.
- (c)** Install the screws.
- (d)** Tighten the screws.
- (e)** Repeat the process for the other wall channel.

7

Make sure these edges are flush

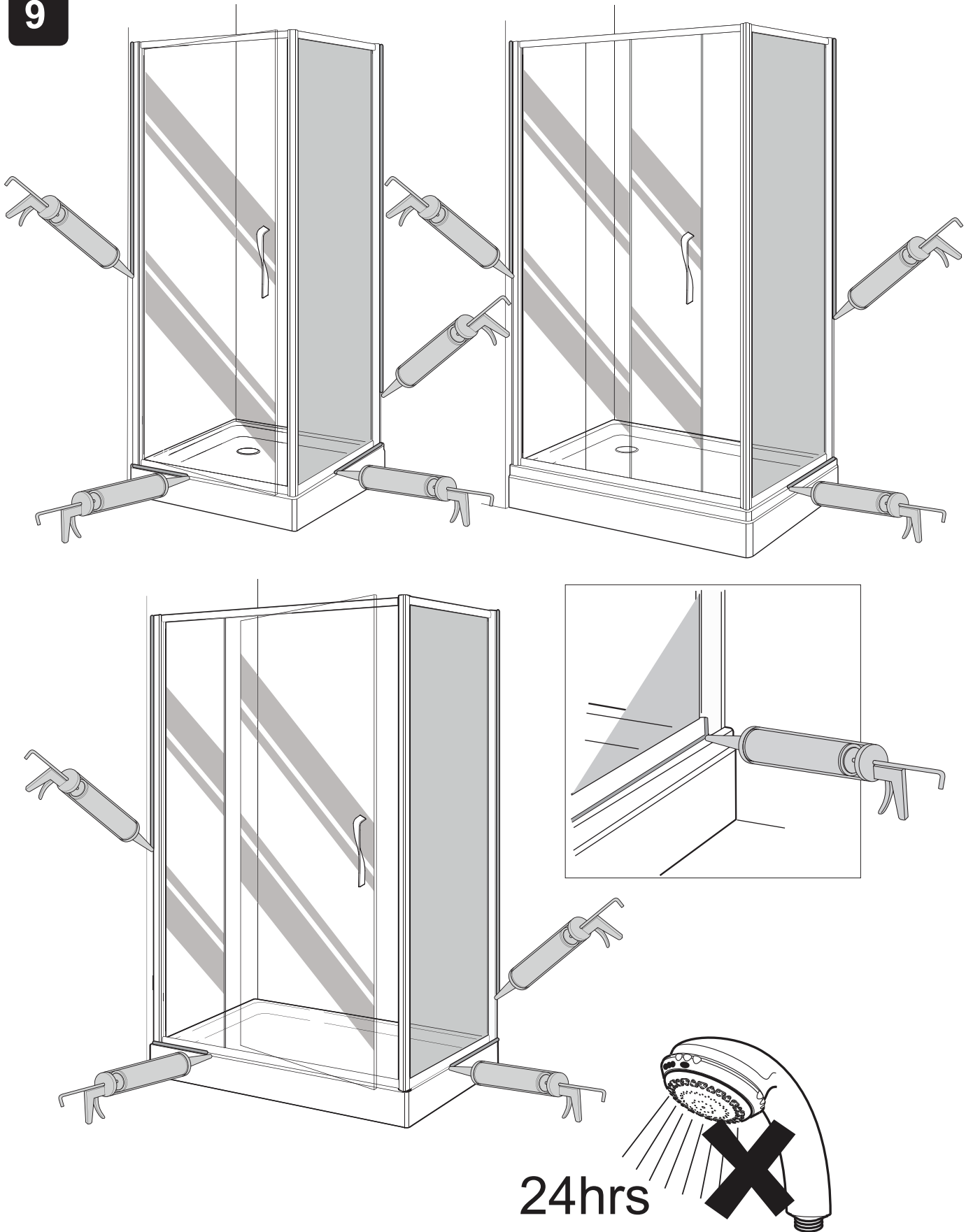


- (a)** Install the channel cover clips, evenly spaced along the length of channel.
- (b)** Install the channel cover strips into the clips. They should 'snap' into place. Apply silicone sealant to the inside of the cover strips if required.



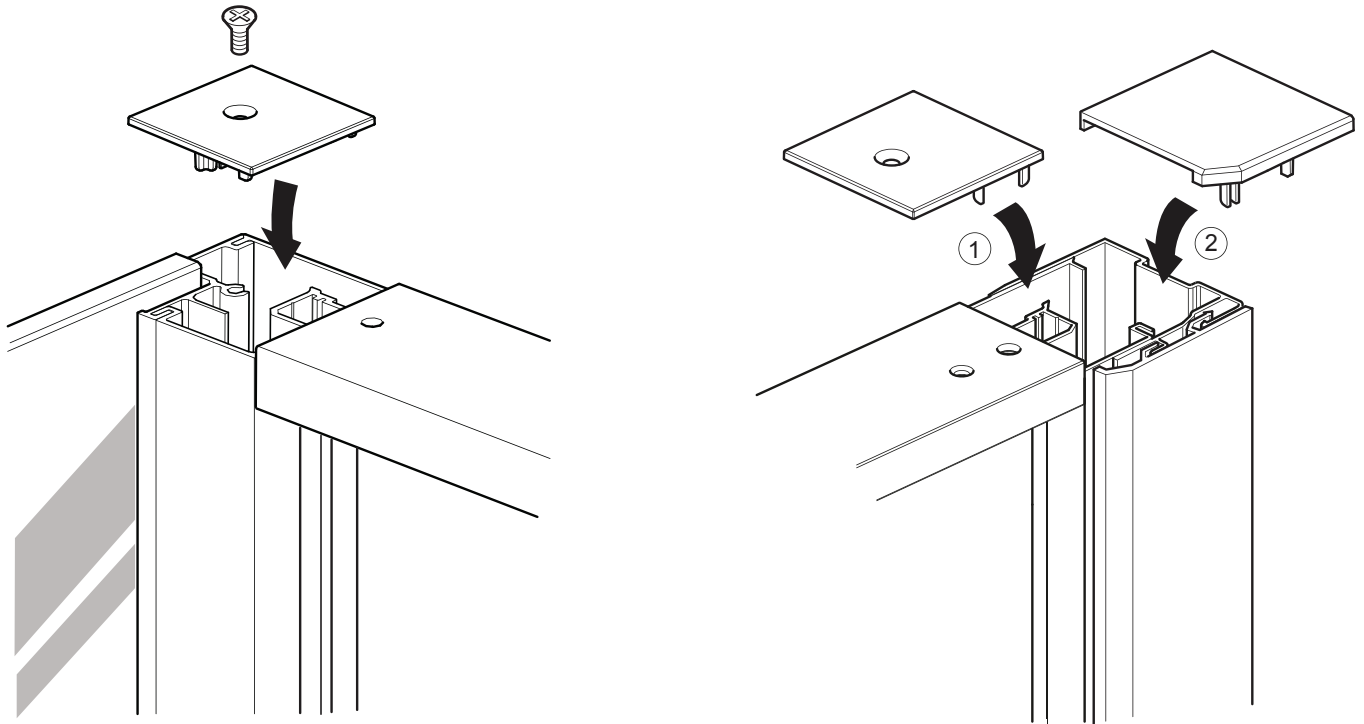
- (a)** Partially remove the door sealing strips as shown above.
- (b)** Apply a small amount of sealant in accordance with the sealant manufacturers instructions as shown above.
- (c)** Fit the door sealing strips back in position. Remove any excess silicone sealant.

9



- (a) Apply sealant in accordance with the sealant manufacturers instructions along the outside surfaces of the door frame and side panel only.
- (b) Allow the silicone sealant to cure for 24 hours before use.

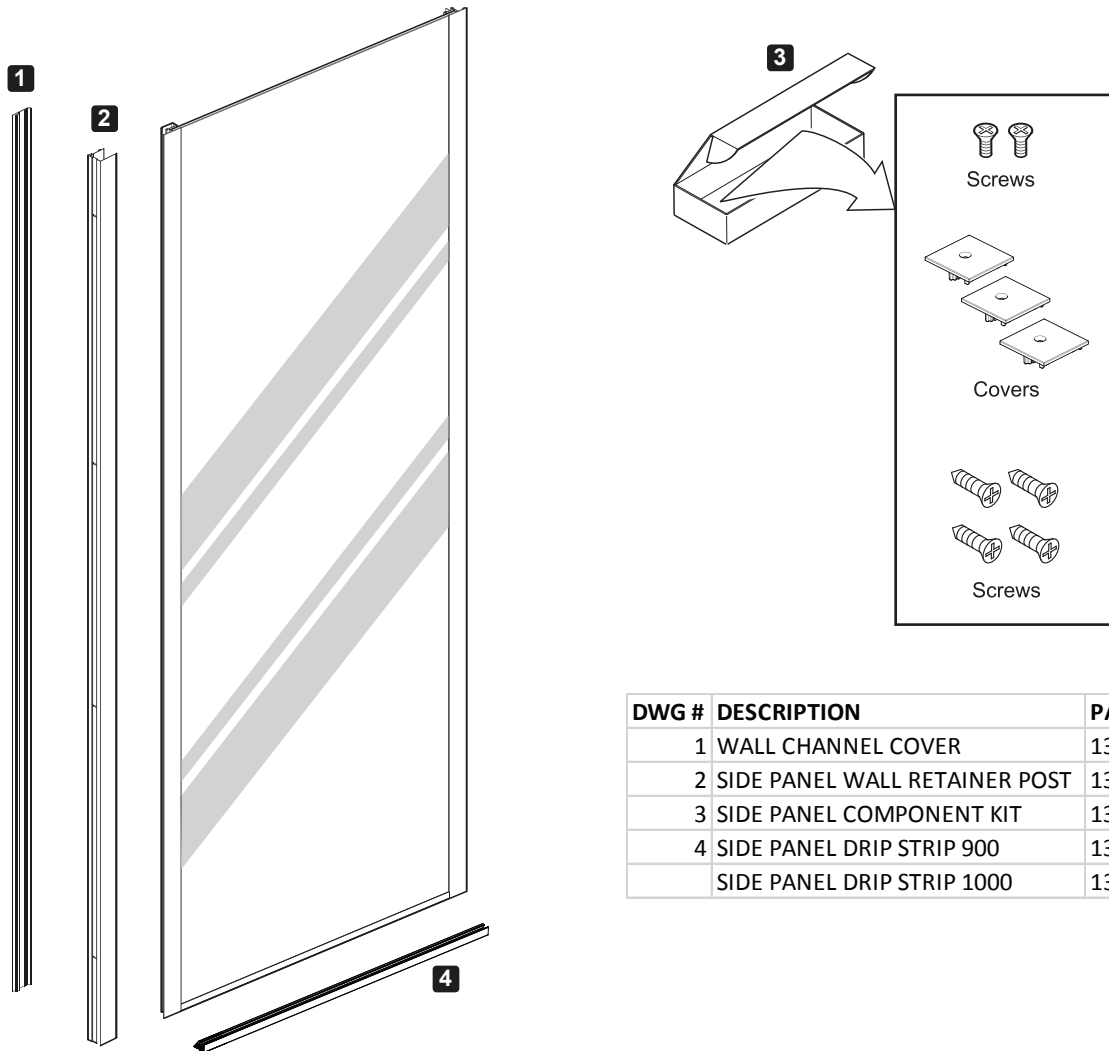
10



(a) Fit the top caps to the extrusions. Modify caps if required.

Installation is complete.

SPARE PARTS



DWG #	DESCRIPTION	PART #
1	WALL CHANNEL COVER	1311040
2	SIDE PANEL WALL RETAINER POST	1311055
3	SIDE PANEL COMPONENT KIT	1311056
4	SIDE PANEL DRIP STRIP 900	1311057
	SIDE PANEL DRIP STRIP 1000	1311041

NB: Scan the two-dimensional (QR) barcode on the packaging or underside of the top caps to identify the product SKU and date of manufacture.

CONTACT AND WARRANTY INFORMATION

For spare parts & warranty information, please visit our website:

Australia
www.au.kohler.com

New Zealand
www.kohler.co.nz

KOHLER[®]
 CALL US FOR HELP

NEW ZEALAND
 KOHLER NZ LTD
 Free Ph: 0800 564 537 (0800 KOHLER)
 Free Fax: 0800 664 488
www.kohler.co.nz

AUSTRALIA
 KOHLER CO.
 Free Ph: 1 800 KOHLER
 (1 800 564 537)
www.au.kohler.com